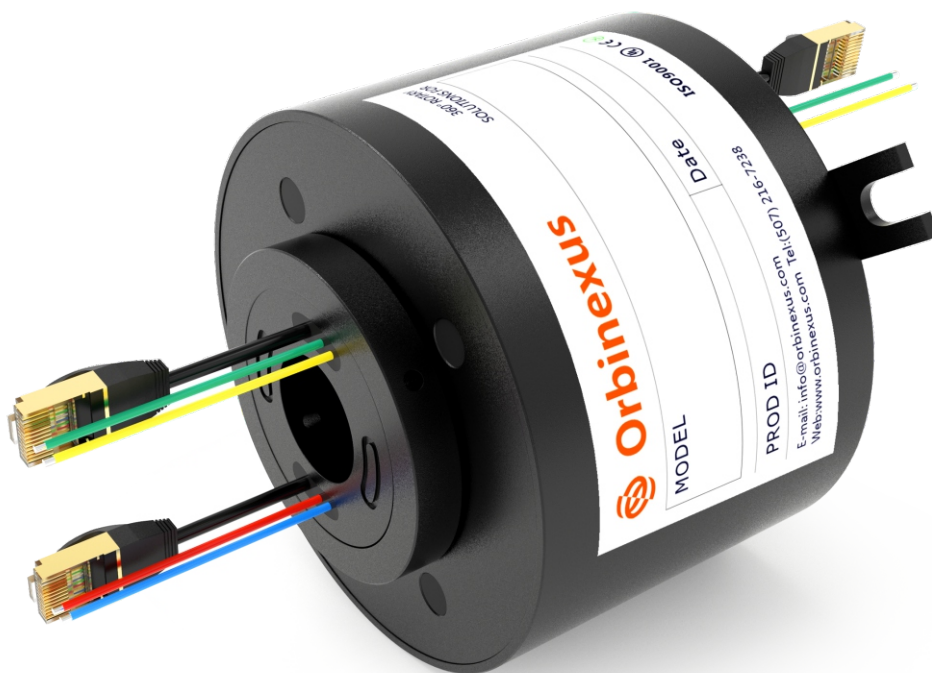


BXME2132 SERIES 100M/1000M Ethernet Slip Rings

2 channels 1000M Ethernet+ 1~16 power and signal channel

BXME2132, support 2 channels 1000M ethernet slip rings, with through bore size 12.7mm(0.5"), overall dia BXMEter 35mm, are standard, off-the-shelf, Color-coded lead wires are used on both the stator and rotor for simplified electrical connections.

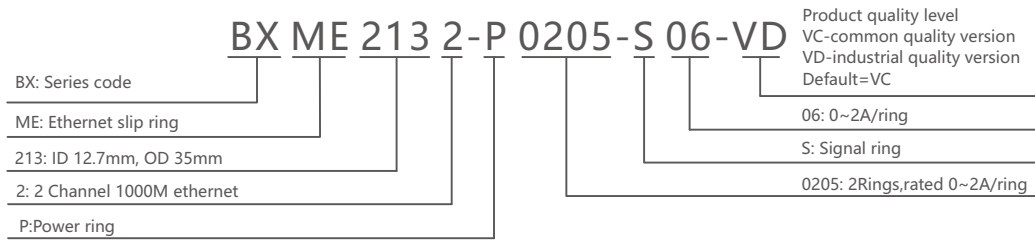
Product images



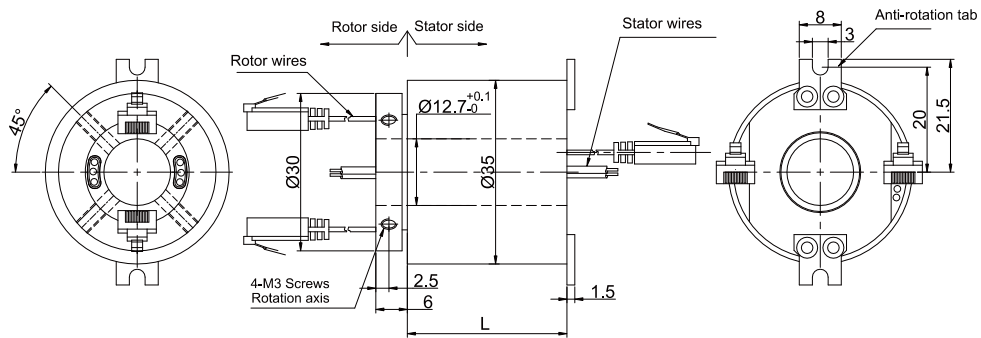
The pictures are for reference only

If there are changes in the appearance and size of the product, the actual product should prevail.

Part# Explanation



Dimensions



BXME2132 Series Ethernet Slip Ring

Parts#	1000M Ethernet	Signal or 5A	Length(mm)
BXME2132-S02	2	2	58
BXME2132-S08	2	8	71.8

Note:

1. N channels 5A rings parallel can be used as 1 channel N*5A current. For example: 2 rings 5A parallel could be used as 1 wires 10A.
2. Circuit number and current strength can be customized, please contact customer service for more details.

Ethernet Specification

Project	Value
1000M Ethernet	2 channel 1000M Ethernet
Connector	RJ45
Ber Error Rate	10E-11

Electrical Data

Project	Power	Signal
Rated Voltage	0~240VAC/VDC	0~240VAC/VDC
Insulation Resistance	≥500MΩ/300VDC	≥2000MΩ/300VDC
Lead Wires	AWG22#Teflon	AWG22#Teflon
Lead Length	Standard 300mm(adjustable)	
Dielectric Strength	200VAC@50Hz, 60s	
Electrical Noise	<0.01Ω	

Mechanical Data

Project	Numerical value
Working Life	See Product Quality Level Table
Rotating Speed	See Product Quality Level Table
Working temperature	-30°C~80°C
Operating Humidity	0~85% RH
Contact Material	See Product Quality Level Table
Housing Materia	Aluminium Alloy
Torque	0.1N.m; +0.03N.m/6 rings
Protection Grade	IP51

Product Quality Level Table

Products Level Code	Max Rotating Speed	Working Life	Contact Material
VC	150RPM	20 Million Revs	Precious Metal
VD	600RPM	80 Million Revs	Gold-plated

Lead Wires Color Code

Ring	1	2	3	4	5	6	7	8	9	10	11	12
Color	BLK	RED	YLW	GRN	BLU	WHT	BLK	RED	YLW	GRN	BLU	WHT

(6 wires for 1 group color, from 7-12, repeat the same color as 1...6, indicated with number code pipe)

Options for custom slip ring

Note: Below special demands can be customized According , the delivery date will be extended 3 to15 days; also the cost will be increased 30%to 50% . Most of our basic parts are standard and modular which can save the cost and lead time.

1. Cable exit way and cable length can be customized for both rotor and stator.
2. Because of the structure limitation, length/height/OD can be customized on your request.
3. Support current or signal up to 200 rings.
4. Aviation plug, terminal and heat-shrink tube are optional.
5. Hybrid slip ring for Yaskawa/Panasonic/Siemens servo control signal, power line and encoder line.

6. Support mixed high speed data transmission (including Ethernet, USB, RS232, RS485, Profibus, CanBUS, CANOPEN, DeviceNET, CC-LINK, ProfiNET, EtherCAT, etc.)
 7. Can combine temperature control signal with thermocouple signal.
 8. Special environment can be customized, such as quakeproof, high temperature, etc.
 9. Hybrid Pneumatic/hydraulic and electric slip ring can be mixed.
 10. High temperature can up to 500 degrees.
 11. High pressure can up to 110KV
 12. Rotating speed can up to 10000RPM
 13. Maximum current can up to 5000 amperes.
 14. Military grade
 15. Optional for underwater IP65, IP68.
 16. Optional for stainless steel housing
- Technical support : Info@orbinexus.com