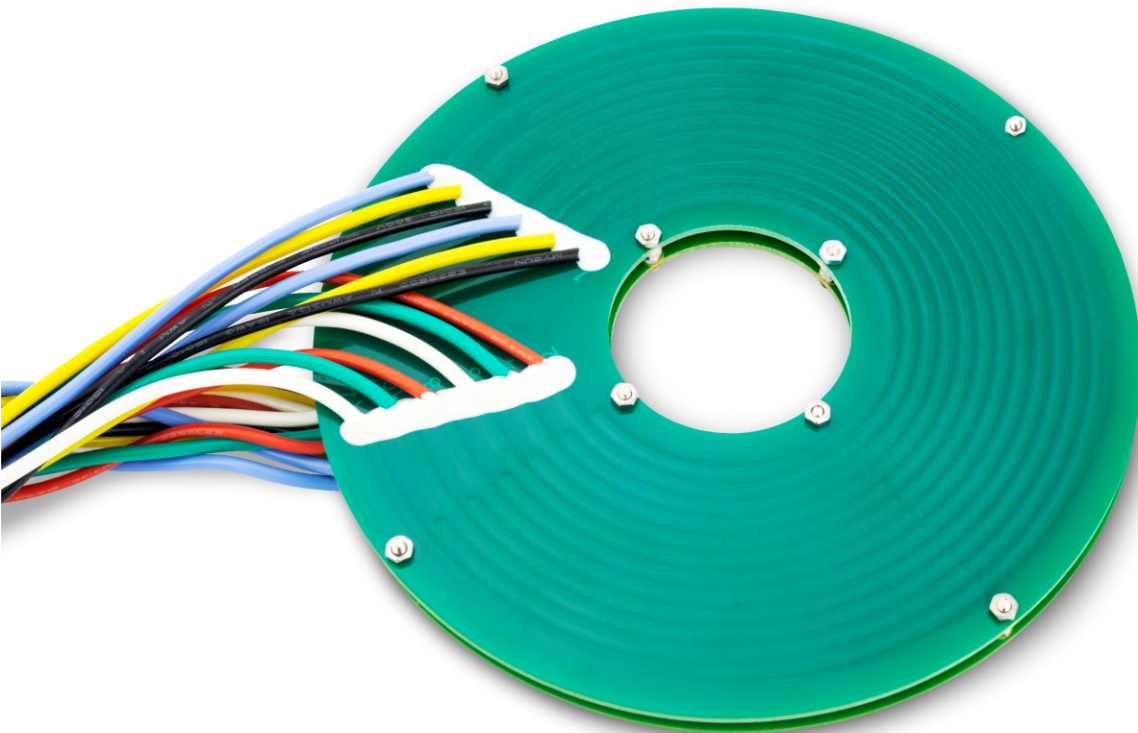


## BPCB050 SERIES PCB SLIP RING

---

BPCB050 ultrathin pancake series slip ring, adopt PCB substrate, thickness can up to 5.8 mm, which made of super hard gold plating, super thick copper foil process, maximum current can up to 10A, color-coded lead wires are used on both the stator and rotor for simplified electrical connections.

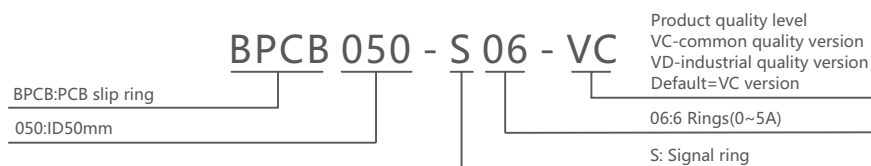
---



The pictures are for reference only

If there are changes in the appearance and size of the product, the actual product should prevail.

## Part# Explanation



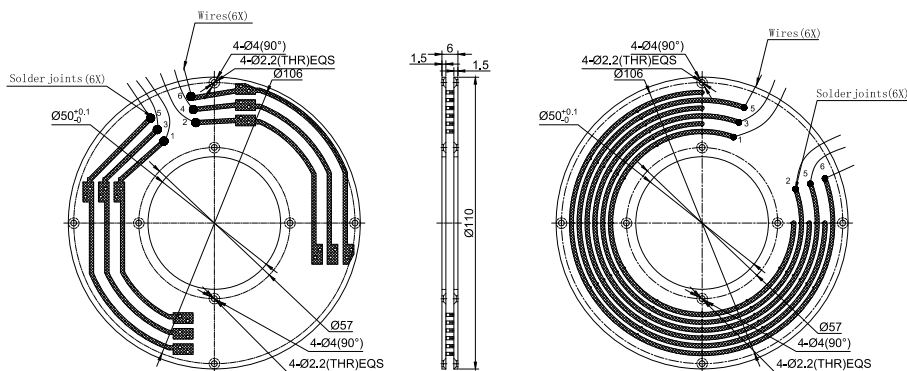
## BPCB025 Series Parts# List

Parts#	10A	Signal or (5A)	Rings
BPCB050-S06	0	6	6
BPCB050-P0610	6	0	6
BPCB050-S12	0	12	12
BPCB050-P1210	12	0	12

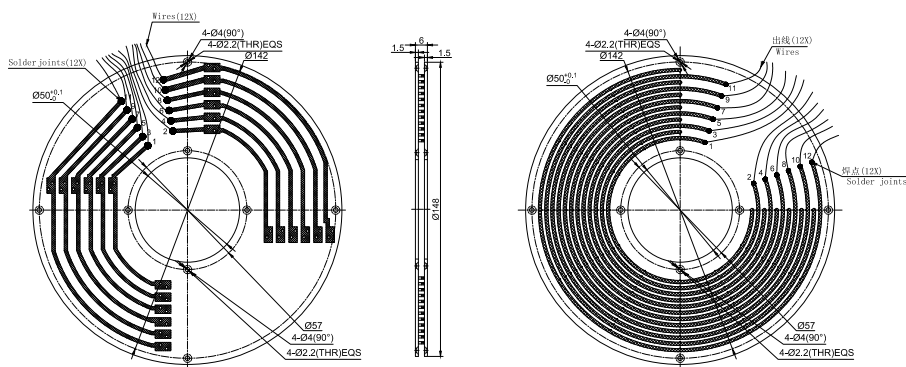
Note:1) N channels 5A rings parallel can be used as 1 channel N\*5A current. For example: 2 rings 5A parallel could be used as 1 wires 10A  
 2) ID and circuits can be customized according to customers' requirements,plz contact with sales representative

## Dimensions

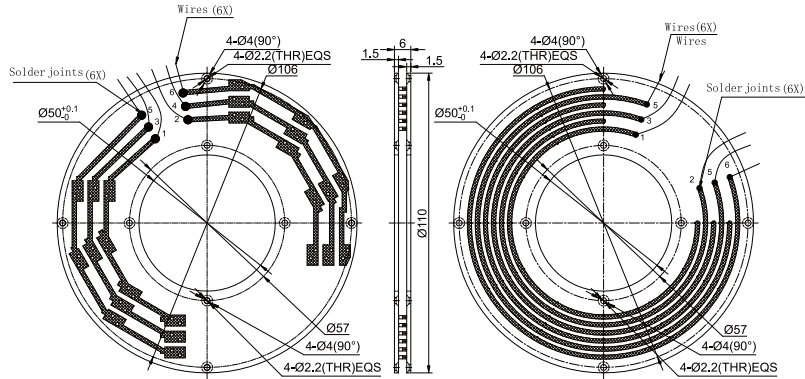
### 1. BPCB050-S06 dimensions



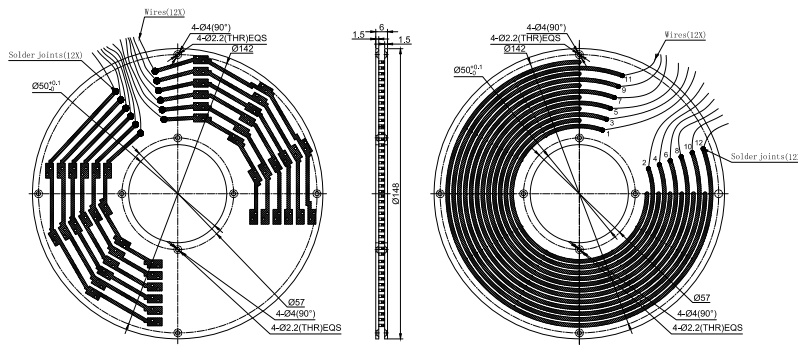
### 2. BPCB050-S12 dimensions



## 2. MPCB050-P0610 dimensions



## 2. MPCB050-P1210 dimensions



## Mechanical Data

Project	Numerical value
Working Life	See product quality level table
Rotating Speed	See product quality level table
Working Temperature	-30°C~80°C
Operating Humidity	0~85% RH
Contact Material	See product quality level table
Housing Material	Aluminium alloy
Torque	0.05N.m; +0.03N.m/6rings
Protection Grade	IP41

## Electrical Data

Project	Power	Signal
Rated Voltage	0~220VAC/VDC	0~220VAC/VDC
Insulation Resistance	≥500MΩ/240VDC	≥500MΩ/240VDC
Lead Wire	AWG18# Silicone Wire	AWG244# Silicone Wire
Lead Length	Standard 300mm (adjustable)	
Dielectric Strength	100VAC@50Hz, 60s	
Electrical Noise	<0.01Ω	

## Product Quality Level Table

Products Level Code	Max Rotating Speed	Working Life	Contact Material
VC	100RPM	3 Million Revs	Precious Metal
VD	300RPM	10 Million Revs	Gold-plated

## Lead Wires Color Code

Ring	1	2	3	4	5	6	7	8	9	10	11	12
Color	BLK	RED	YEL	GRN	BLU	WHT	BLK	RED	YEL	GRN	BLU	WHT

Note: 6 wires for 1 group color, from 7-12, repeat the same color as 1...6, indicated with number code pipe.

## Options for custom slip ring

Note: The following special requirements can be customized, lead time will increase 3 ~ 15 days, cost increased 5% ~ 50%, most of basic parts have standardized, modular, customized also can greatly reduce the cost and lead time.

1. Can be customized for different bore size.
2. Can be customized for different circuits.
3. Can add housing for protection