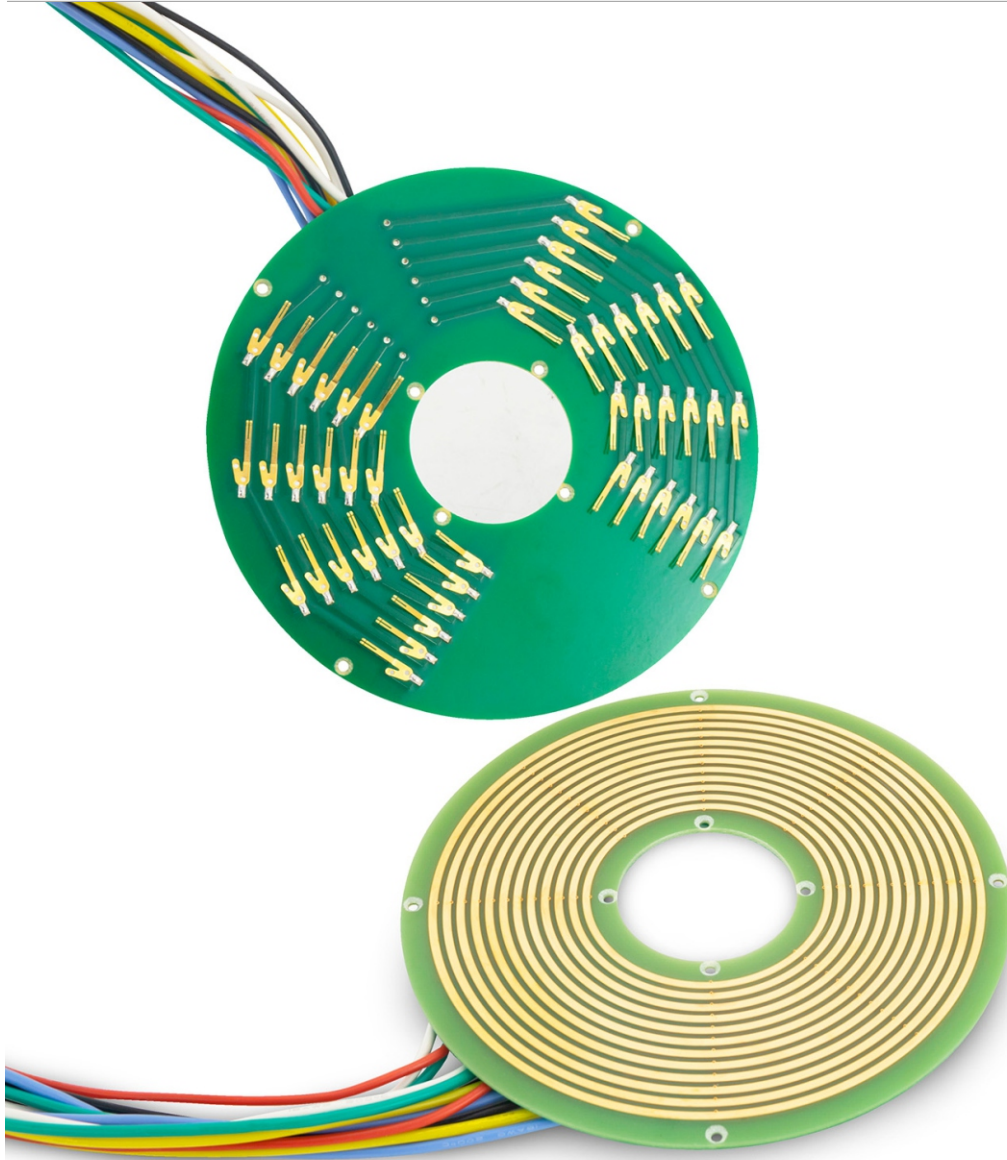


BPCB025 SERIES PCB SLIP RING

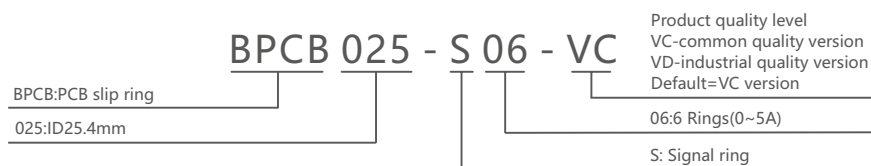
BPCB025 ultrathin pancake series slip ring, adopt PCB substrate, thickness can up to 5.8 mm, which made of super hard gold plating, super thick copper foil process, maximum current can up to 10A, color-coded lead wires are used on both the stator and rotor for simplified electrical connections.



The pictures are for reference only

If there are changes in the appearance and size of the product, the actual product should prevail.

Part# Explanation



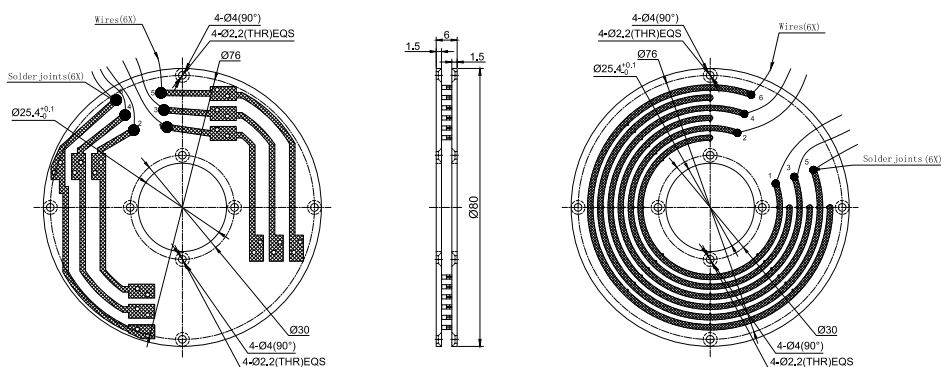
BPCB025 Series Parts# List

| Parts# | 10A | Signal or (5A) | Rings |
|---------------|-----|----------------|-------|
| BPCB025-S06 | 0 | 6 | 6 |
| BPCB025-P0610 | 6 | 0 | 6 |
| BPCB025-S12 | 0 | 12 | 12 |
| BPCB025-P1210 | 12 | 0 | 12 |

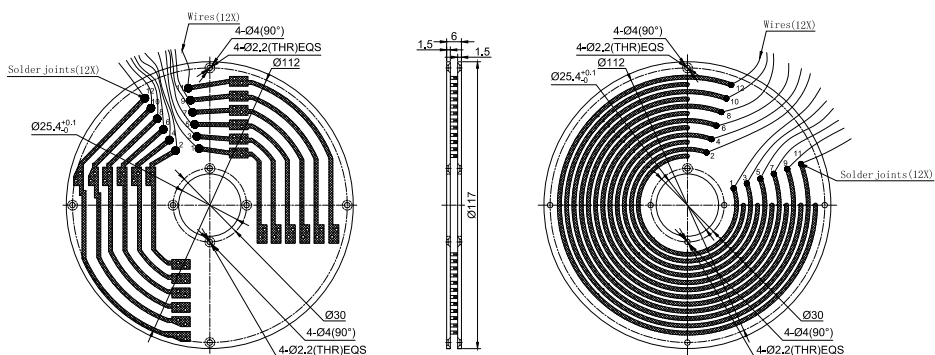
Note:1) N channels 5A rings parallel can be used as 1 channel N*5A current. For example: 2 rings 5A parallel could be used as 1 wires 10A
2) ID and circuits can be customized according to customers' requirements,plz contact with sales representative

Dimensions

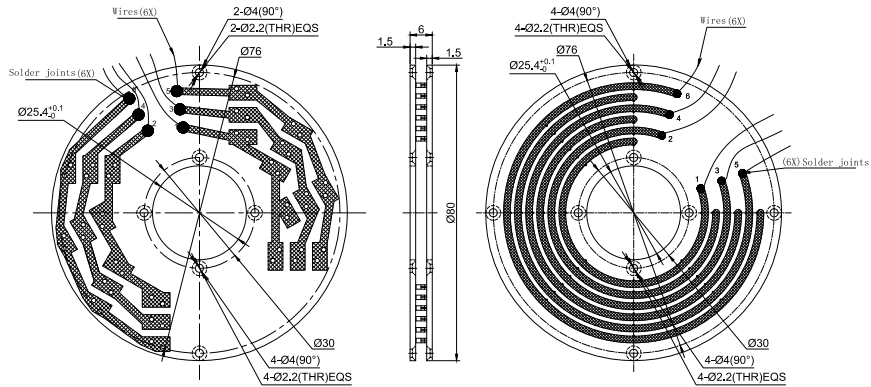
1. BPCB025-S06 dimensions



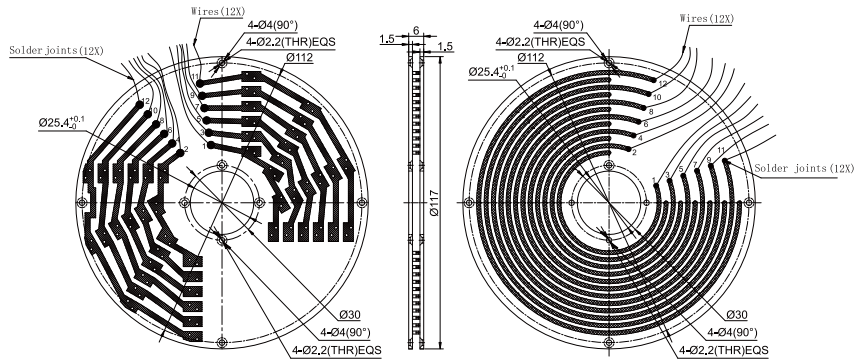
2. BPCB025-S12 dimensions



3. BPCB025-P0610– dimensions



4. BPCB025-P1210– dimensions



Mechanical Data

| Project | Numerical value |
|---------------------|---------------------------------|
| Working Life | See product quality level table |
| Rotating Speed | See product quality level table |
| Working Temperature | -30°C~80°C |
| Operating Humidity | 0~85% RH |
| Contact Material | See product quality level table |
| Housing Material | Aluminium alloy |
| Torque | 0.5N.m; +0.03N.m/6rings |
| Protection Grade | IP41 |

Electrical Data

| Project | Power | Signal |
|-----------------------|--|--|
| Rated Voltage | 0~220VAC/VDC | 0~220VAC/VDC |
| Insulation Resistance | $\geq 500\text{M}\Omega/240\text{VDC}$ | $\geq 500\text{M}\Omega/240\text{VDC}$ |
| Lead Wire | AWG18# Silicone Wire | AWG244# Silicone Wire |
| Lead Length | Standard 300mm (adjustable) | |
| Dielectric Strength | 100VAC@50Hz, 60s | |
| Electrical Noise | <0.01 | |

Product Quality Level Table

| Products Level Code | Max Rotating Speed | Working Life | Contact Material |
|---------------------|--------------------|-----------------|------------------|
| VC | 100RPM | 3 Million Revs | Precious Metal |
| VD | 300RPM | 10 Million Revs | Gold-plated |

Lead Wires Color Code

| Ring | 1 | 2 | 3 | 4 | 5 | 6 | 7 | 8 | 9 | 10 | 11 | 12 |
|-------|-----|-----|-----|-----|-----|-----|-----|-----|-----|-----|-----|-----|
| Color | BLK | RED | YEL | GRN | BLU | WHT | BLK | RED | YEL | GRN | BLU | WHT |

Note: 6 wires for 1 group color, from 7-12, repeat the same color as 1...6, indicated with number code pipe.

Options for custom slip ring

Note: The following special requirements can be customized, lead time will increase 3 ~ 15 days, cost increased 5% ~ 50%, most of basic parts have standardized, modular, customized also can greatly reduce the cost and lead time.

1. Can be customized for different bore size.
2. Can be customized for different circuits.
3. Can add housing for protection