

BMHF400 SERIES

4 Channels Rf Rotary Joints

BMHF400 is 4 channels high frequency rotary joint, which is specifically designed for high-speed serial digital signals or analog signal transmission. It can support maximum transfer rate 2.5GHz. MHF series can support single channel or high-frequency signal transmission by itself. Also MHF series can be customized to combine high-frequency signal with 24V control signal, communication signal, power supply and fluid media.

Product images



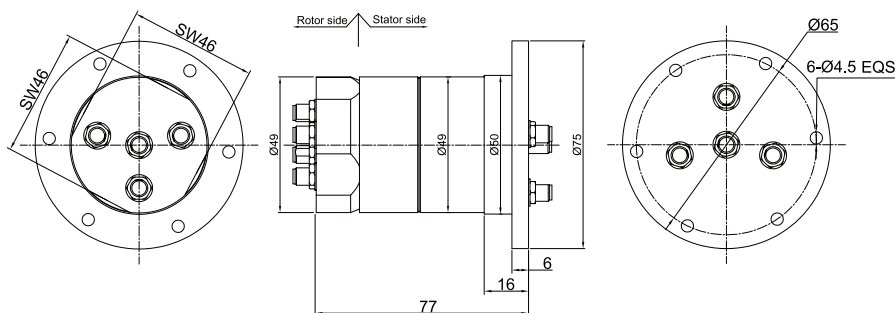
The pictures are for reference only

If there are changes in the appearance and size of the product, the actual product should prevail.

Part# Explanation



Dimensions



BMHF400 channel RF rotary joint part list

Part#	RF Channel	Frquency	Connector Type
BMHF400-SMA-4G	4	4GHz / Channel	SMA-F

Mechanical Data

Parameter	Numerical value
Working Life	50 million revs
Rotating Speed	60RPM
Working Temperature	-40°C~+65°C
Operating Humidity	0~85% RH
Contact Material	Gold-Gold
Housing Material	stainless steel
Torque	0.1N.m; +0.03N.m/6 rings
Protection Grade	IP51

RF Rotary joints Specifications

Parameter	Channel 1-4 value
Interfaces	SMA-F(50Ω)
Frequency	0~8GHz
Average power, max.	10W
Vswr, max.	1.5
Vswr wow, max	0.1
Insertion loss, max.	1.4dB
Insertion loss wow, max.	0.15dB
Isolation degree (minimum value)	70dB