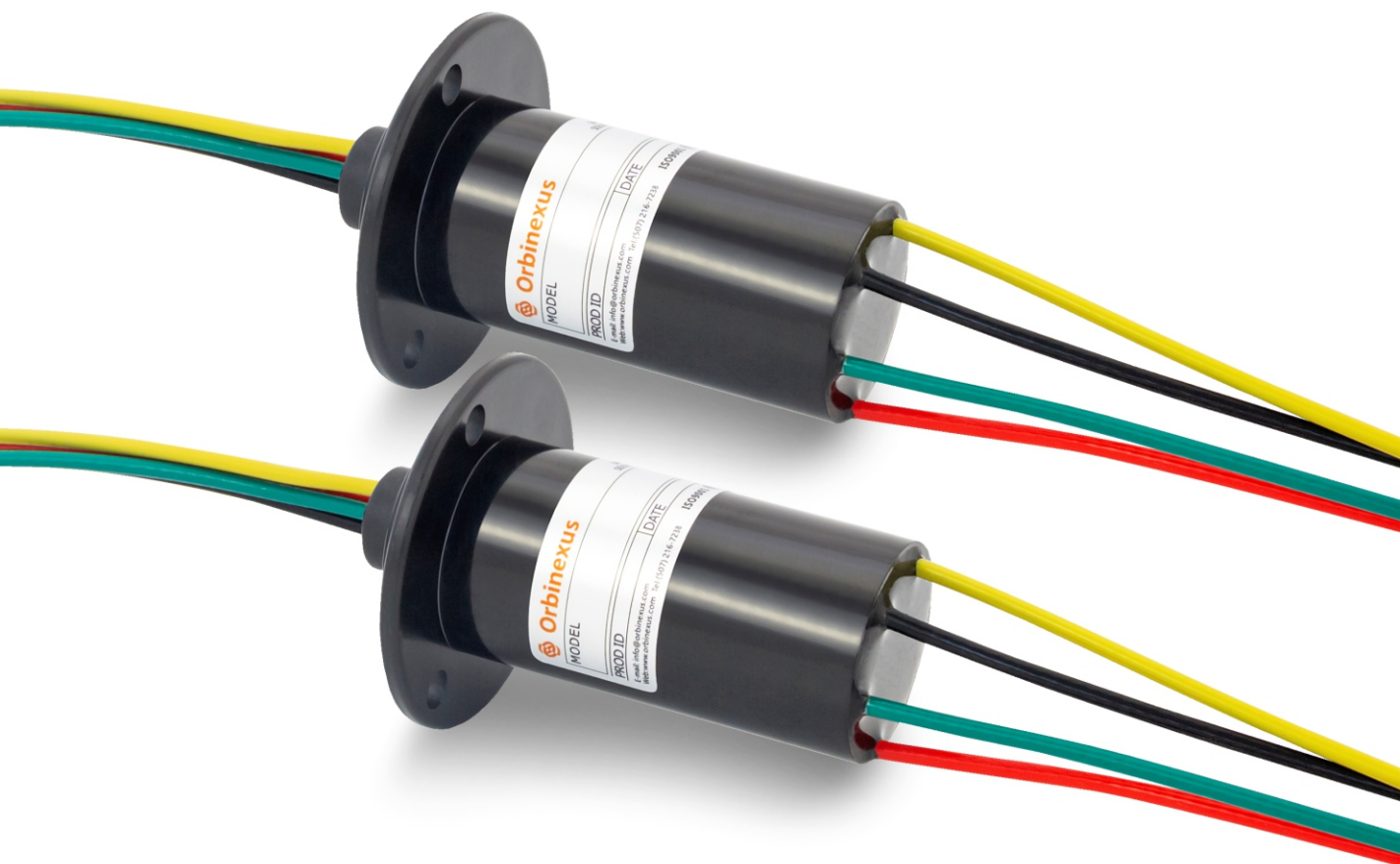


BL1000 SERIES SLIP RINGS

BL1000 Series slip rings are small and compact with OD 22~29.8mm * L 26~78mm, Solid style without through bore and stator flange installation, standard, off-the-shelf. Color-coded lead wires are used on both the stator and rotor for simplified electrical connections.

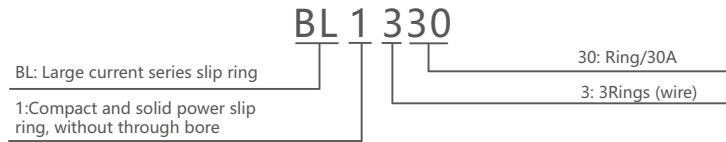
Product images



The pictures are for reference only

If there are changes in the appearance and size of the product, the actual product should prevail.

Part# Explanation



BL1000 Series Part# List

Parts#	Ring	Rated current per ring(A)	OD(mm)	Length(mm)
BL1210	2	10A	22	26
BL1310	3	10A	22	33
BL1410	4	10A	22	43.6
BL1610	6	10A	29.8	66
BL1215	2	15A	22	45
BL1315	3	15A	22	45
BL1415	4	15A	29.8	66
BL1615	6	15A	29.8	66
BL1220	2	20A	22	45
BL1320	3	20A	22	45
BL1420	4	20A	29.8	66
BL1620	6	20A	29.8	66
BL1230	2	30A	22	45
BL1330	3	30A	22	45
BL1430	4	30A	29.8	66
BL1630	6	30A	29.8	66
BL1240	2	40A	29.8	66
BL1340	3	40A	29.8	66
BL1810	8	10A	29.8	78.1
BL1101	10	10A	29.8	78.1
BL1121	12	10A	29.8	78.1
BL1181	18	10A	29.8	105.3
BL1930	9	30A	29.8	105.3
BL13605	36	5A	29.8	105.3

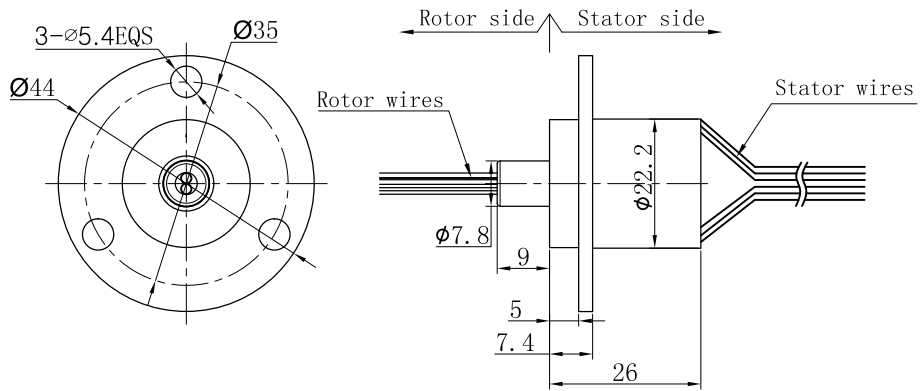
Protection Grade Part# List

Parts#	Protection Grade	Ring	Rated current per ring(A)
BL1211-IP65	IP65	12	10A
BL1330-IP65	IP65	3	30A
BL1630-IP65	IP65	6	30A

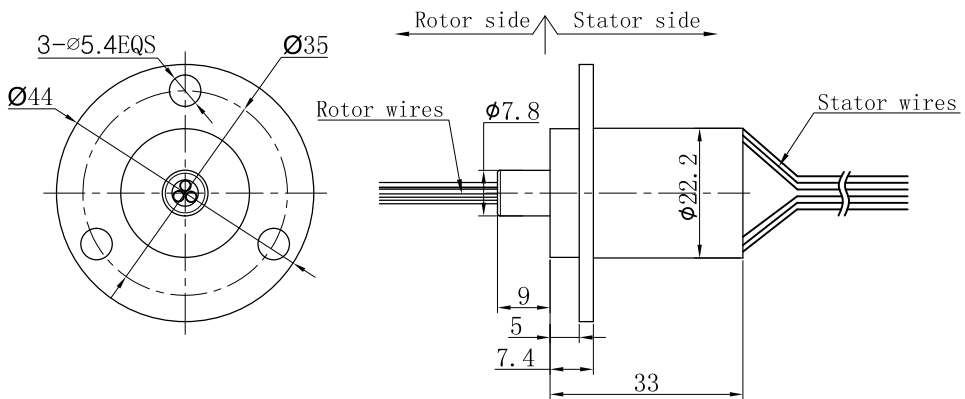
Note: 1) N channels 10A rings parallel can be used as 1 channel N*10A current. For example: 2 rings 10A parallel could be used as 1 wires 20A
 2) Power rings can be used for signal rings on request.

Dimensions

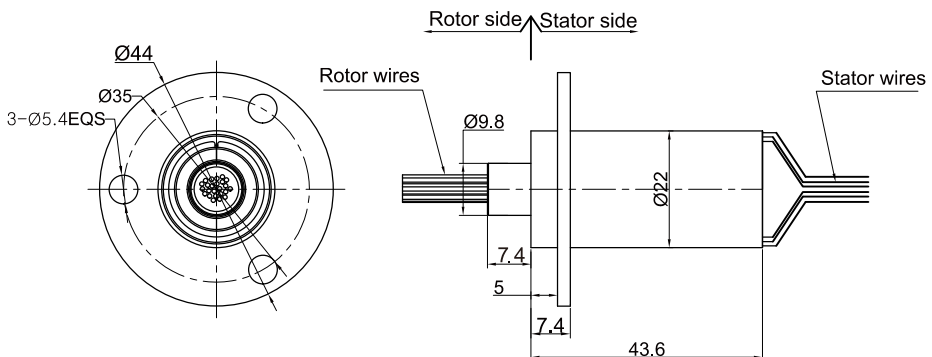
BL1210 Dimensions(2 rings, each ring 10A)



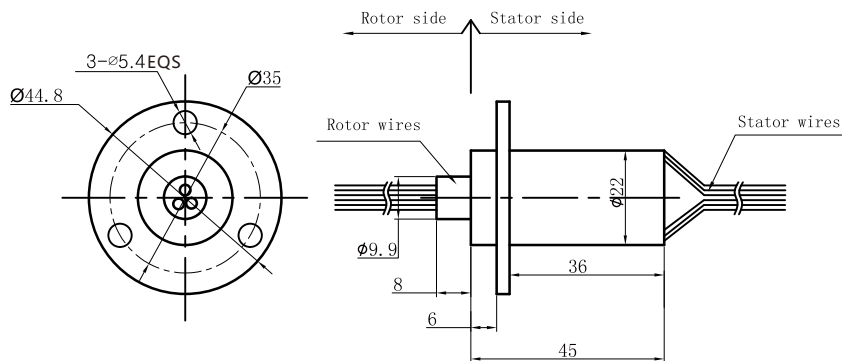
BL1310 Dimensions(3 rings, each ring 10A)



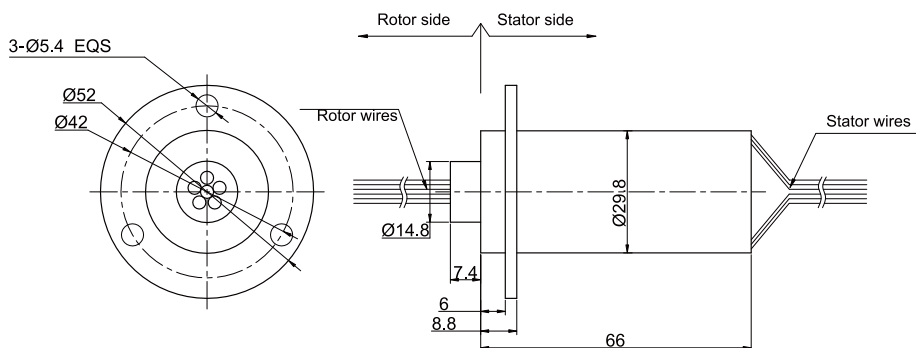
BL1410 Dimensions(4 rings, each ring 10A)



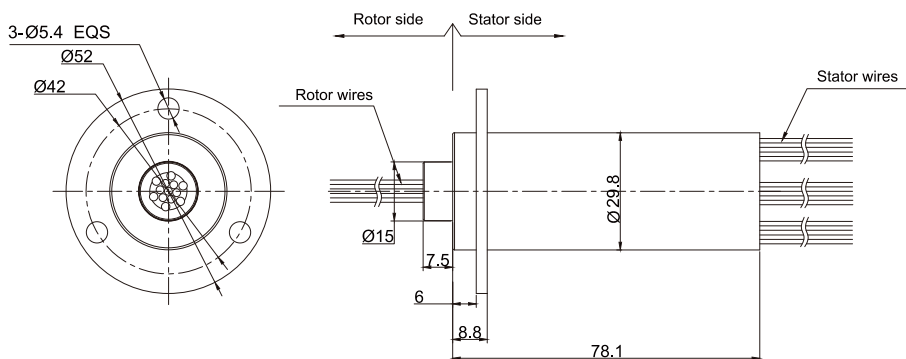
BL1215, BL1315, BL1220, BL1230, BL1320, BL1330 Dimensions



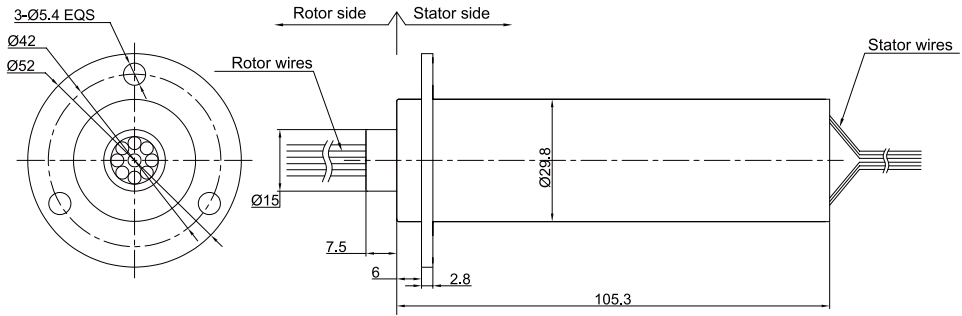
BL1415, BL1615, BL1610, BL1420, BL1430, BL1620, BL1630, BL1240, BL1340 Dimensions



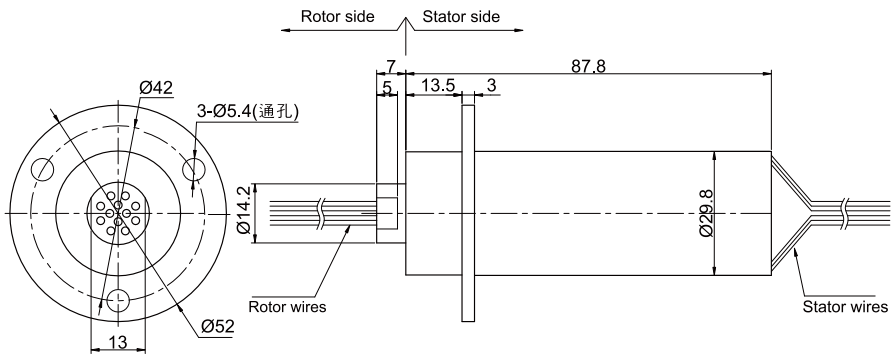
BL1810, BL1101, BL1121 Dimensions



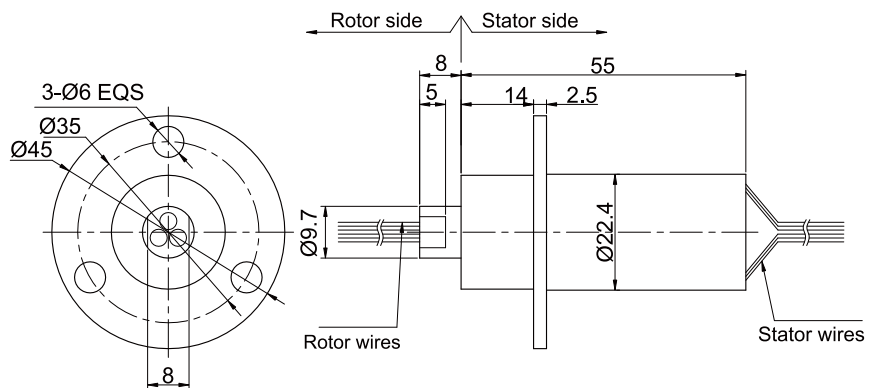
BL 1181, BL1930, BL13605 Dimensions



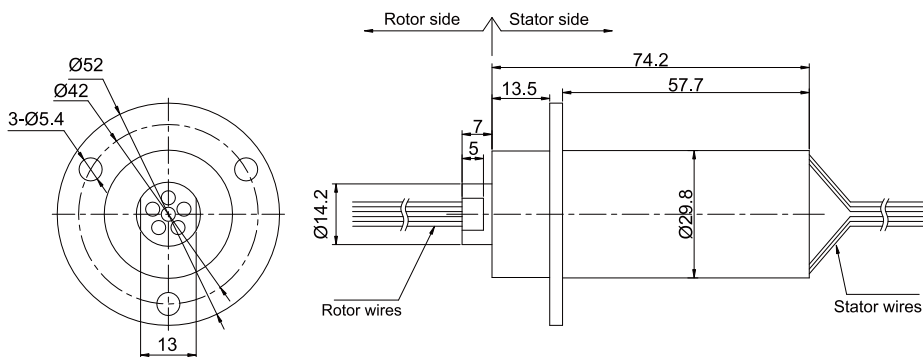
BL1211-IP65 Dimensions



BL1330-IP65 Dimensions



BL1630-IP65 Dimensions



Mechanical Data

Project	Numerical value
Working Life	10 Million revs
Rotating Speed	150RPM
Working temperature	-30°C~80°C
Operating Humidity	0~85% RH
Contact Material	precious metal
Housing Materia	PBT
Torque	0.1N.m; +0.03N.m/6rings
Protection Grade	IP51

Electrical Data

Project	Numerical value
Rated Voltage	0~380VAC/VDC
Insulation Resistance	≥1000MΩ/500VDC
Lead Wires	10A=AWG#17; 20A=AWG#14; 30A=AWG#12;
Lead Length	Standard 300mm(adjustable)
Insulating Strength	500VAC@50Hz, 60s
Electrical Noise	<0.01Ω

Lead Wires Color Code

Ring	1	2	3	4	5	6
Color	BLK	RED	YEL	GRN	BLU	WHT

(6 wires for 1 group color, from 7-12, repeat the same color as 1...6, indicated with number code pipe.)