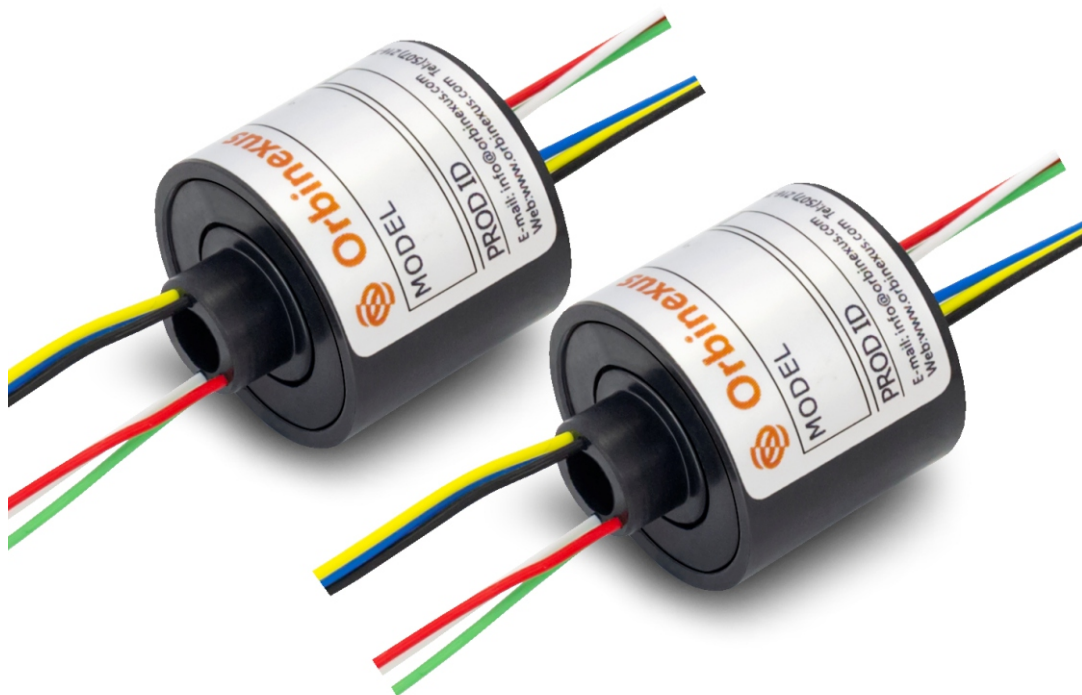


BH0522 SERIES

BH0522 series provides a 5mm through-bore for routing of hydraulic or pneumatic lines or hydraulic or pneumatic rotating shaft installation, and a compact 22mm outside diameter, features long life, fiber brush contact technology for ultimate performance in many challenging applications. BH0522 series are standard, off-the-shelf products, Color-coded lead wires are used on both the stator and rotor for simplified electrical connections. It can transmit signal (2A), 5A current when 360° degree free rotating.

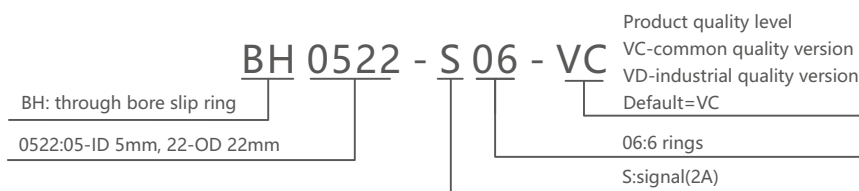
Product images



The pictures are for reference only

As the signal pathway increases or the combination of light and electricity results in changes in the appearance and size of the product, the actual product shall prevail.

Part# Explanation



BH0522 Series Parts# List

Part#	Signal or 2A	Length-L (mm)
BH0522-S02	2	19
BH0522-S04	4	19
BH0522-S06	6	19
BH0522-S08	8	30
BH0522-S10	10	30
BH0522-S12	12	30
BH0522-S15	15	30

Note: N channels 2A rings parallel can be used as 1 channel N*2A current. For example: 2 rings 2A parallel could be used as 1 wires 4A

Electrical parameters

Project	Power	Siana
Rated Voltage	0~220VAC/VDC	0~220VAC/VDC
Insulation Resistance	≥100MΩ/220VDC	≥100MΩ/220VDC
Lead Wires	AWG26#Teflon(BH0522-S06)	AWG28#Teflon(BH0522-S15)
Lead Length	Standard 300mm(adjustable)	
Insulation Strength	500VAC@50Hz, 60s	
Electrical Noise	<0.01Ω	

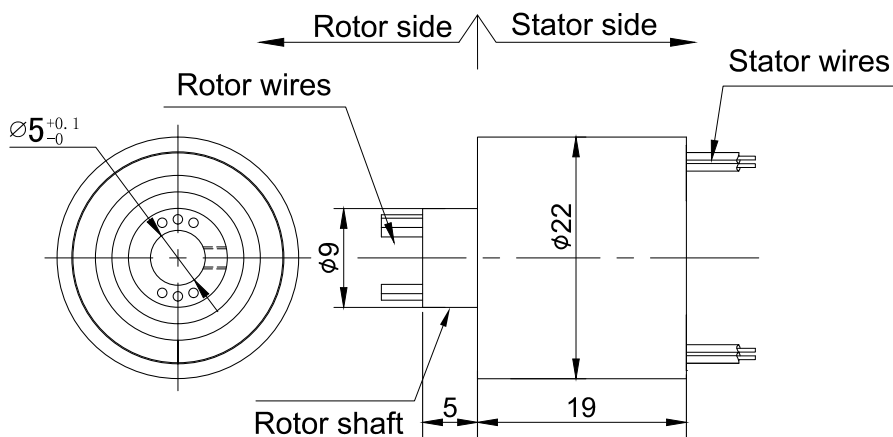
Mechanical Data

Project	Value
Working Life	10 million revs
Rotating Speed	Max 250RPM
Working Temperature	-30°C~80°C
Operating Humidity	0~85% RH
Contact Material	Gold-gold
Housing Material	PBT
Torque	0.05N.m; +0.02N.m/6rings
Protection Grade	IP51

Product Quality Level Table

Products Level Code	Max Rotating Speed	Working Life	Contact Material
VC	250RPM	10 Million Revs	Precious Metal
VD	600RPM	20 Million Revs	Gold-Gold

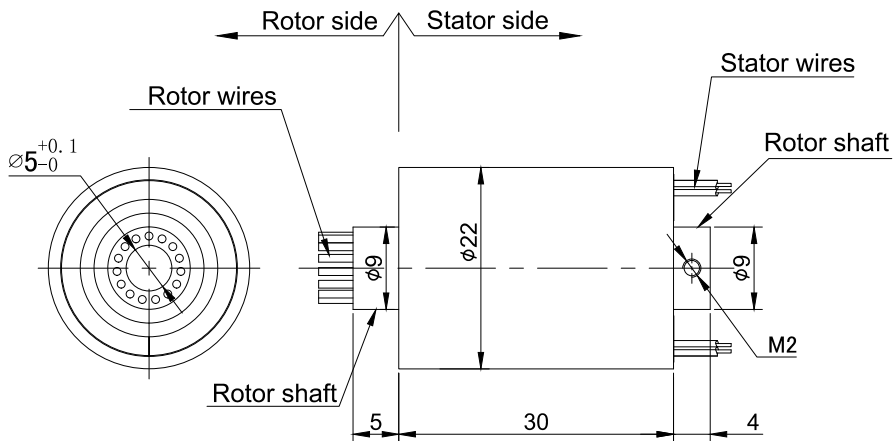
BH0522-S06 Dimensions



BH0522-S06 Lead Wires Color Code

Ring	1	2	3	4	5	6
Color	BLK	RED	YEL	GRY	BLU	WHT

BH0522-S15 Dimensions



BH0522-S15 Lead Wires Color Code

Ring	1	2	3	4	5	6	7	8
Color	RED	GRN	YEL	VLT	GRY	BLK	BLU	DKBU
Ring	9	10	11	12	13	14	15	
Color	BRN	ORN	WHT	DKYEL	WHT-RED	WHT-BLK	WHT-BLU	

Options For Custom Slip Ring

Note: Below special demands can be customized. According, the delivery date will be extended 3 to 15 days; also the cost will be increased 30% to 50%. Most of our basic parts are standard and modular, which can save the cost and lead time.

1. Cable exit way and cable length can be customized for both rotor and stator.
2. Because of the structure limitation, length/height/OD can be customized on your request.
3. Support current or signal up to 200 rings.
4. Aviation plug, terminal and heat-shrink tube are optional.
5. Hybrid slip ring for Yaskawa/Panasonic/Siemens servo control signal, power line and encoder line.
6. Support mixed high speed data transmission (including Ethernet, USB, RS232, RS485, Profibus, CanBUS, CANOPEN, DeviceNET, CC-LINK, ProfiNET, EtherCAT, etc.)
7. Can combine temperature control signal with thermocouple signal.
8. Special environment can be customized, such as quakeproof, high temperature, etc.
9. Hybrid Pneumatic/hydraulic and electric slip ring can be mixed.
10. High temperature can up to 500 degrees.
11. High pressure can up to 110KV
12. Rotating speed can up to 10000RPM
13. Maximum current can up to 5000 amperes.1Military grade
14. Optional for underwater IP65, Ip68.
15. Optional for stainless steel housing

Technical support: Info@orbinexus.com