

BFORJ200 SERIES

2 Channel (FORJ) Fiber Optic Slip Rings

BFORJ200 fiber optic slip ring support 2 channel fiber optic (SM / MM) . It can perfect transmit data on 360 ° rotating . It is also especially suitable for occasions where it needs to transmit large volume data / signal from permanent position to rotation position under intermittent , continuous or discontinuous rotating , which can improve mechanical property , simplify system operation and avoid the rotating of turning joints destroying fiber optics

Features

- Low insertion loss , high rotation speed
- Non-contact , zero friction , long working life 1 channel can achieve one hundred million revolutions
- Small size , light weight , high sealing class
- Fiber optic transmitting signal , no electromagnetic interference , long-distance transmission

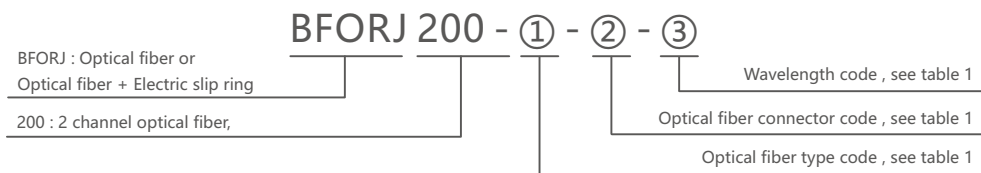
Product images



The pictures are for reference only

As the signal pathway increases or the combination of light and electricity results in changes in the appearance and size of the product, the actual product shall prevail.

Part# Explanation



Dimensions

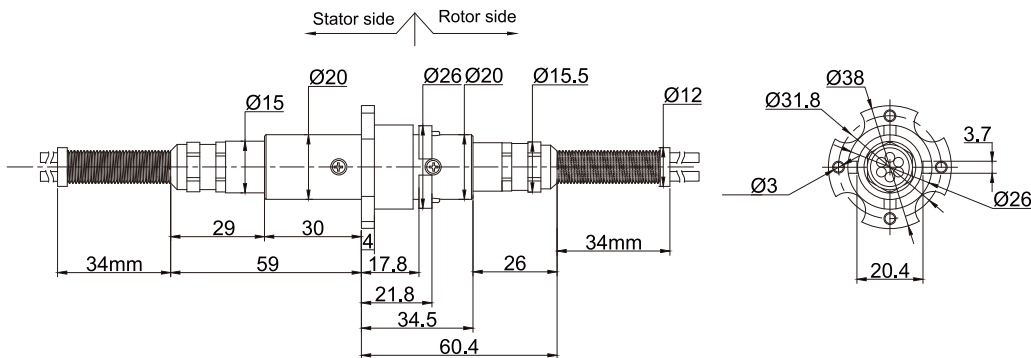


Table 1

Fiber Type Code	Fiber Connector Code	Wavelength Code
01 : 9/125um , Single-mode	FC : FC Connector	01:1310/1550 (single-mode)
02 : 50/125um , Multiple-mode	ST : ST Connector	02:850/1310 (multiple-mode)
03 : 62.5/125um , Multiple-mode	SC : SC Connector	
	LC : LC Connector	
	The connector face is PC by default. If APC is needed , APC should be added behind APC , such as FC / APC	

Specifications

Project	Single-mode	Multiple-mode
Wavelength (nm)	± 50	
Max Insert Loss , 23°C (dB)	4dB	4dB
Insert Loss Ripple (dB)	2dB	2dB
Return Loss (dB)	≥ 50 (APC) ≥ 40(PC)	≥ 30(PC)
Max Power (dBm)	23	
Weight (g)	160g	
Max Rotating Speed (rpm)	300	
Working Life	> 100 million rpm	
Working Temperature (°C)	-20~60°C (Civil use)	-40~85°C (military)
Storage Temperature (°C)	-50~85°C	
protection grade	IP65	
Fiber length	1m	