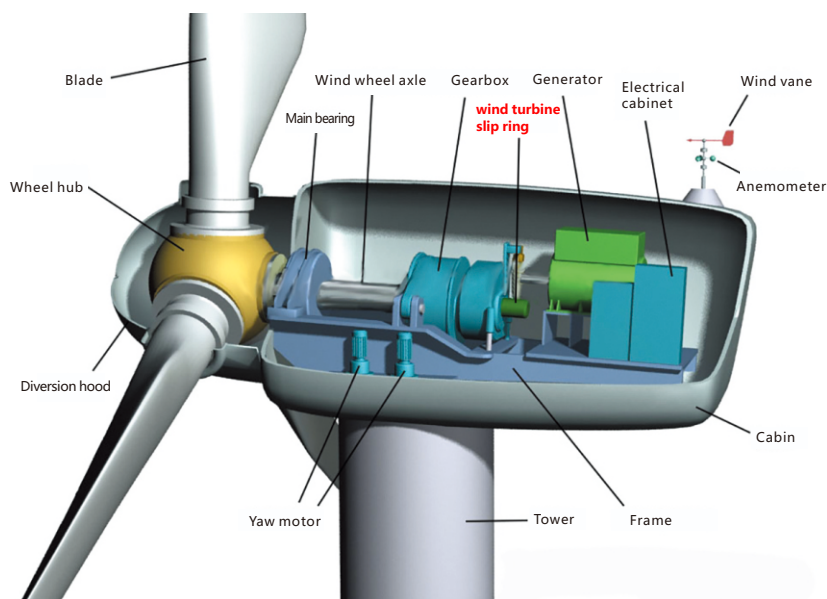


BXMF SERIES

WIND TURBINE PITCHING SLIP RING

BXMF series wind turbine pitching slip ring is specially designed for the 1.25-6MW wind turbine. It is also specially designed to meet the special slip ring of wind turbine generation system with high reliability. The imported materials are equipped with advanced production equipment and various performance testing systems for wind turbine slip rings, so that orbinexus wind turbine slip rings have good low temperature resistance, high humidity, sand resistance, corrosion resistance, impact resistance, vibration resistance and stable performance. With no maintenance and other features, the service life can reach 20 years or hundreds of millions of revolutions. Options include cable length, connection, encoder model, low voltage + data transfer, high voltage current 300A.

Sketch diagram of wind
 Turbine slip ring

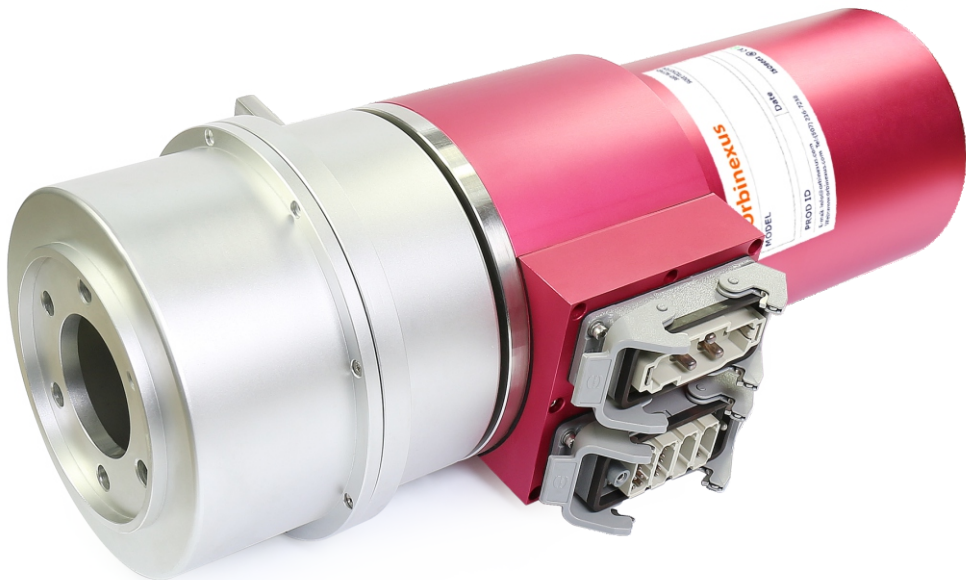


BXMF1700-5P-HR1.5

SINOVEL 1.5MW SERIES FAN

- Each Loop Is Designed With Multi-contact Technology For Reliable And Stable Operation
 - Can Transfer Rs485, Can-bus, Profibus, Ethernet And Other Bus Data
 - Anti-dust Design, Fully Meet The Dust Requirements In Desert Use
 - Standard Flange Configuration, Can Be Well Matched With The Fan Of Each Manufacturer
 - Optional Temperature Control System, Fully Adapted To A Variety Of Harsh Operating Environments
 - Designed In Accordance With Military-grade Vibration Standards, Fully Adapted To The Vibration Environment Of The Fan
 - Imported Contact Materials, Military Grade Plating, Long Wear Life, Low Contact Resistance
 - Standard Aluminum Case And Housing
-

Product images



The pictures are for reference only

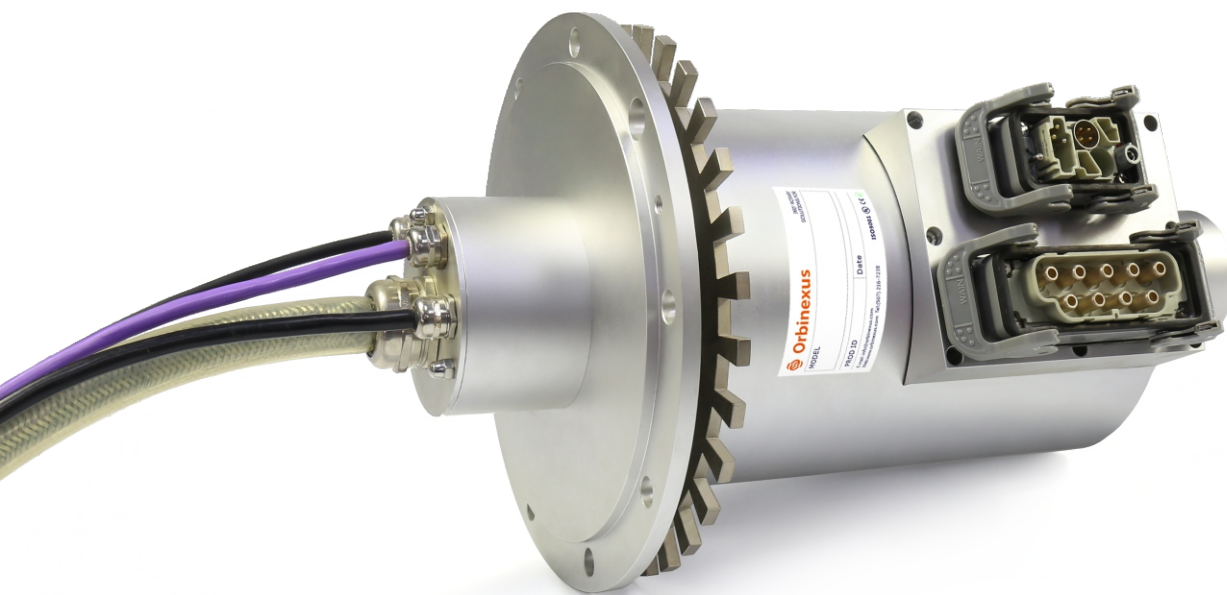
If there are changes in the appearance and size of the product, the actual product should prevail.

BXMF1704-5P-XD1.5/2.0

XEMC 1.5MW/2.0MW SERIES FAN

- Each Loop Is Designed With Multi-contact Technology For Reliable And Stable Operation
- Can Transfer Rs485, Can-bus, Profibus, Ethernet And Other Bus Data
- Anti-dust Design, Fully Meet The Dust Requirements In Desert Use
- Standard Flange Configuration, Can Be Well Matched With The Fan Of Each Manufacturer
- Optional Temperature Control System, Fully Adapted To A Variety Of Harsh Operating Environments
- Designed In Accordance With Military-grade Vibration Standards, Fully Adapted To The Vibration Environment Of The Fan
- Imported Contact Materials, Military Grade Plating, Long Wear Life, Low Contact Resistance
- Standard Aluminum Case And Housing

Product images



The pictures are for reference only

If there are changes in the appearance and size of the product, the actual product should prevail.

BXMF1721-5P-SS15

SUZLON 1.5MW SERIES FAN

- Each Loop Is Designed With Multi-contact Technology For Reliable And Stable Operation
 - Can Transfer Rs485, Can-bus, Profibus, Ethernet And Other Bus Data
 - Anti-dust Design, Fully Meet The Dust Requirements In Desert Use
 - Standard Flange Configuration, Can Be Well Matched With The Fan Of Each Manufacturer
 - Optional Temperature Control System, Fully Adapted To A Variety Of Harsh Operating Environments
 - Designed In Accordance With Military-grade Vibration Standards, Fully Adapted To The Vibration Environment Of The Fan
 - Imported Contact Materials, Military Grade Plating, Long Wear Life, Low Contact Resistance
 - Standard Aluminum Case And Housing
-

Product images



The pictures are for reference only

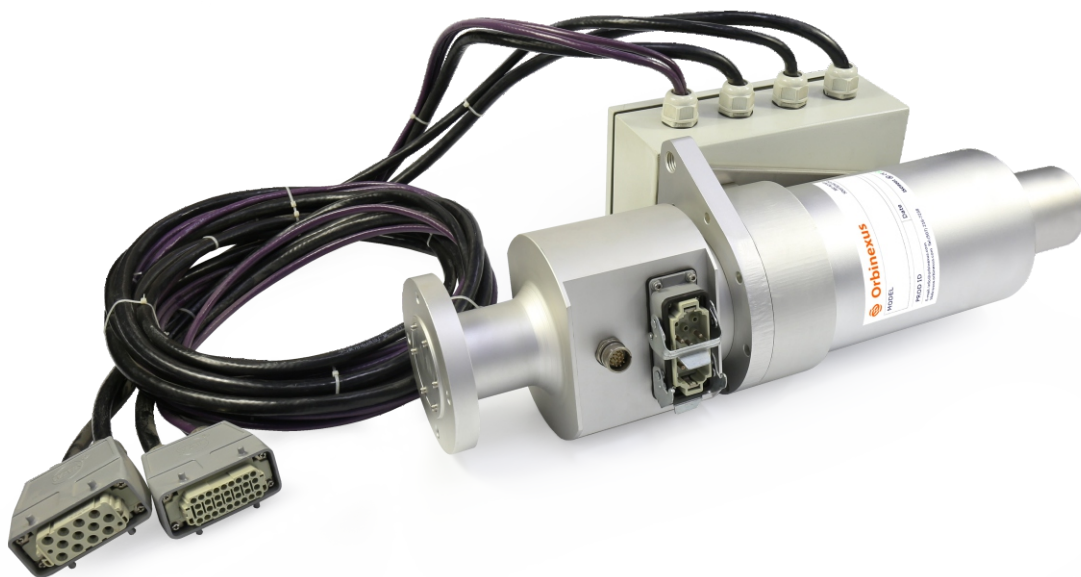
If there are changes in the appearance and size of the product, the actual product should prevail.

BXMF1736-3P-HR15

SINOVEL 1.5MW SERIES FAN

- Each Loop Is Designed With Multi-contact Technology For Reliable And Stable Operation
- Can Transfer Rs485, Can-bus, Profibus, Ethernet And Other Bus Data
- Anti-dust Design, Fully Meet The Dust Requirements In Desert Use
- Standard Flange Configuration, Can Be Well Matched With The Fan Of Each Manufacturer
- Optional Temperature Control System, Fully Adapted To A Variety Of Harsh Operating Environments
- Designed In Accordance With Military-grade Vibration Standards, Fully Adapted To The Vibration Environment Of The Fan
- Imported Contact Materials, Military Grade Plating, Long Wear Life, Low Contact Resistance
- Standard Aluminum Case And Housing

Product images



The pictures are for reference only

If there are changes in the appearance and size of the product, the actual product should prevail.

BXMF1738-3P-HR15

SINOVEL 1.5MW SERIES FAN

- Each Loop Is Designed With Multi-contact Technology For Reliable And Stable Operation
- Can Transfer Rs485, Can-bus, Profibus, Ethernet And Other Bus Data
- Anti-dust Design, Fully Meet The Dust Requirements In Desert Use
- Standard Flange Configuration, Can Be Well Matched With The Fan Of Each Manufacturer
- Optional Temperature Control System, Fully Adapted To A Variety Of Harsh Operating Environments
- Designed In Accordance With Military-grade Vibration Standards, Fully Adapted To The Vibration Environment Of The Fan
- Imported Contact Materials, Military Grade Plating, Long Wear Life, Low Contact Resistance
- Standard Aluminum Case And Housing

Product images



The pictures are for reference only

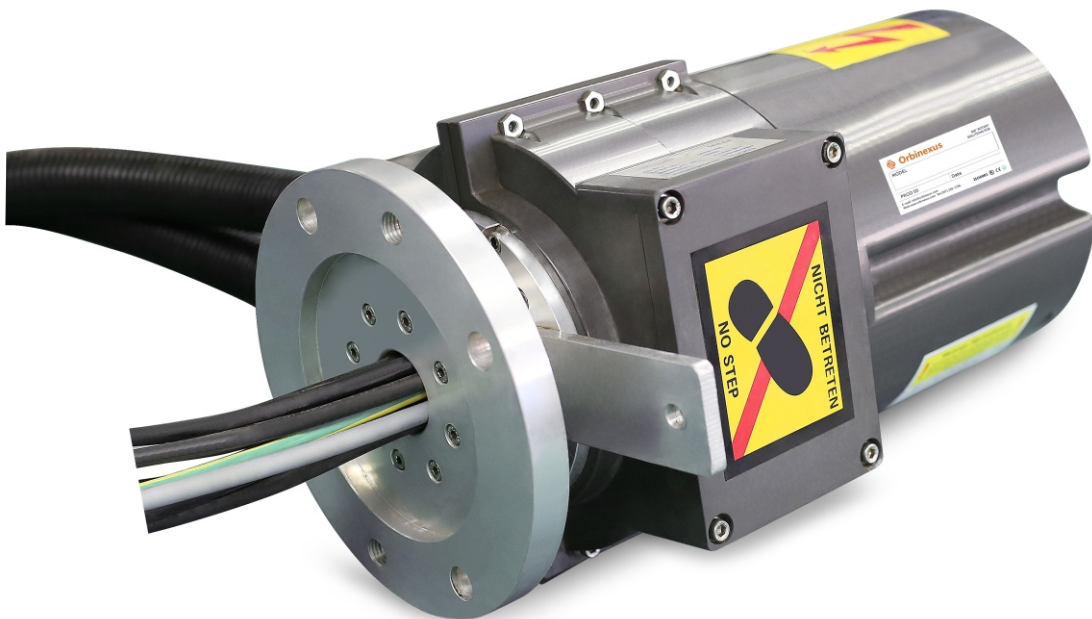
If there are changes in the appearance and size of the product, the actual product should prevail.

BXMF1739-5P-ED15

NORDEX 1.5MW SERIES FAN

- Each Loop Is Designed With Multi-contact Technology For Reliable And Stable Operation
- Can Transfer Rs485, Can-bus, Profibus, Ethernet And Other Bus Data
- Anti-dust Design, Fully Meet The Dust Requirements In Desert Use
- Standard Flange Configuration, Can Be Well Matched With The Fan Of Each Manufacturer
- Optional Temperature Control System, Fully Adapted To A Variety Of Harsh Operating Environments
- Designed In Accordance With Military-grade Vibration Standards, Fully Adapted To The Vibration Environment Of The Fan
- Imported Contact Materials, Military Grade Plating, Long Wear Life, Low Contact Resistance
- Standard Aluminum Case And Housing

Product images



The pictures are for reference only

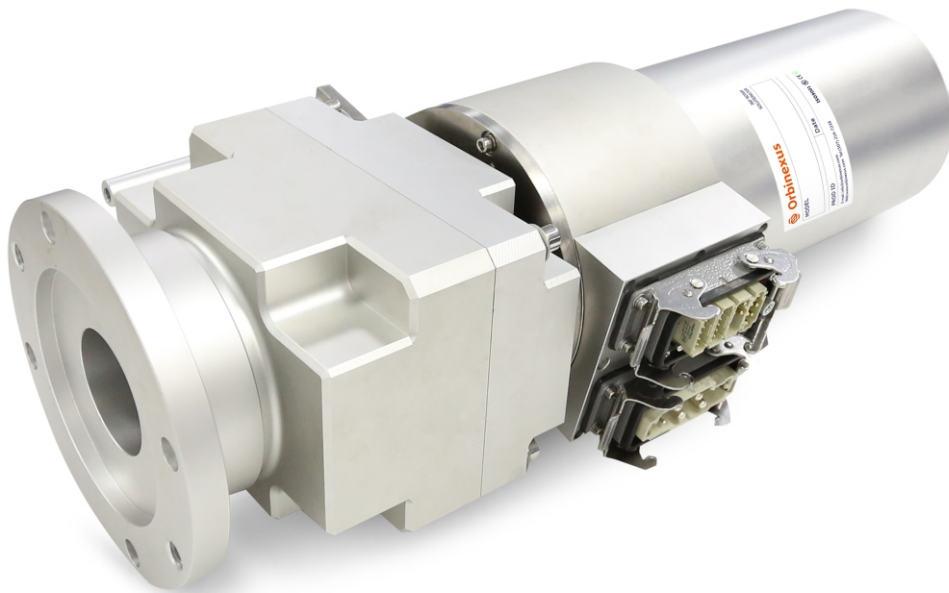
If there are changes in the appearance and size of the product, the actual product should prevail.

BXMF1739-5P-ED15/1

NORDEX 1.5MW SERIES FAN

- Each Loop Is Designed With Multi-contact Technology For Reliable And Stable Operation
 - Can Transfer Rs485, Can-bus, Profibus, Ethernet And Other Bus Data
 - Anti-dust Design, Fully Meet The Dust Requirements In Desert Use
 - Standard Flange Configuration, Can Be Well Matched With The Fan Of Each Manufacturer
 - Optional Temperature Control System, Fully Adapted To A Variety Of Harsh Operating Environments
 - Designed In Accordance With Military-grade Vibration Standards, Fully Adapted To The Vibration Environment Of The Fan
 - Imported Contact Materials, Military Grade Plating, Long Wear Life, Low Contact Resistance
 - Standard Aluminum Case And Housing
-

Product images



The pictures are for reference only

If there are changes in the appearance and size of the product, the actual product should prevail.

BXMF1739-5P-ED15/2

NORDEX 1.5MW SERIES FAN

- Each Loop Is Designed With Multi-contact Technology For Reliable And Stable Operation
- Can Transfer Rs485, Can-bus, Profibus, Ethernet And Other Bus Data
- Anti-dust Design, Fully Meet The Dust Requirements In Desert Use
- Standard Flange Configuration, Can Be Well Matched With The Fan Of Each Manufacturer
- Optional Temperature Control System, Fully Adapted To A Variety Of Harsh Operating Environments
- Designed In Accordance With Military-grade Vibration Standards, Fully Adapted To The Vibration Environment Of The Fan
- Imported Contact Materials, Military Grade Plating, Long Wear Life, Low Contact Resistance
- Standard Aluminum Case And Housing

Product images



The pictures are for reference only

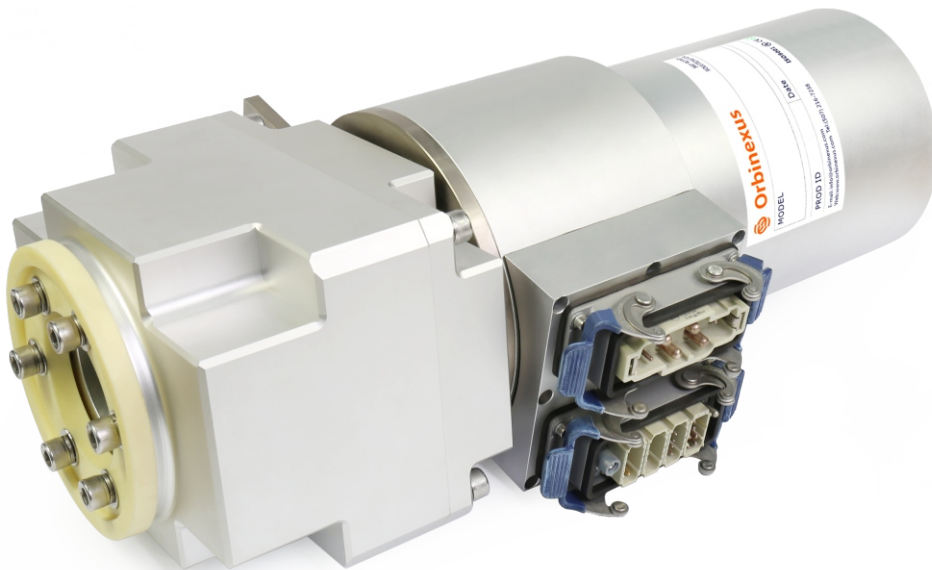
If there are changes in the appearance and size of the product, the actual product should prevail.

BXMF1737-3P-MY15

MINGYANG 1.5MW SERIES FAN

- Each Loop Is Designed With Multi-contact Technology For Reliable And Stable Operation
 - Can Transfer Rs485, Can-bus, Profibus, Ethernet And Other Bus Data
 - Anti-dust Design, Fully Meet The Dust Requirements In Desert Use
 - Standard Flange Configuration, Can Be Well Matched With The Fan Of Each Manufacturer
 - Optional Temperature Control System, Fully Adapted To A Variety Of Harsh Operating Environments
 - Designed In Accordance With Military-grade Vibration Standards, Fully Adapted To The Vibration Environment Of The Fan
 - Imported Contact Materials, Military Grade Plating, Long Wear Life, Low Contact Resistance
 - Standard Aluminum Case And Housing
-

Product images



The pictures are for reference only

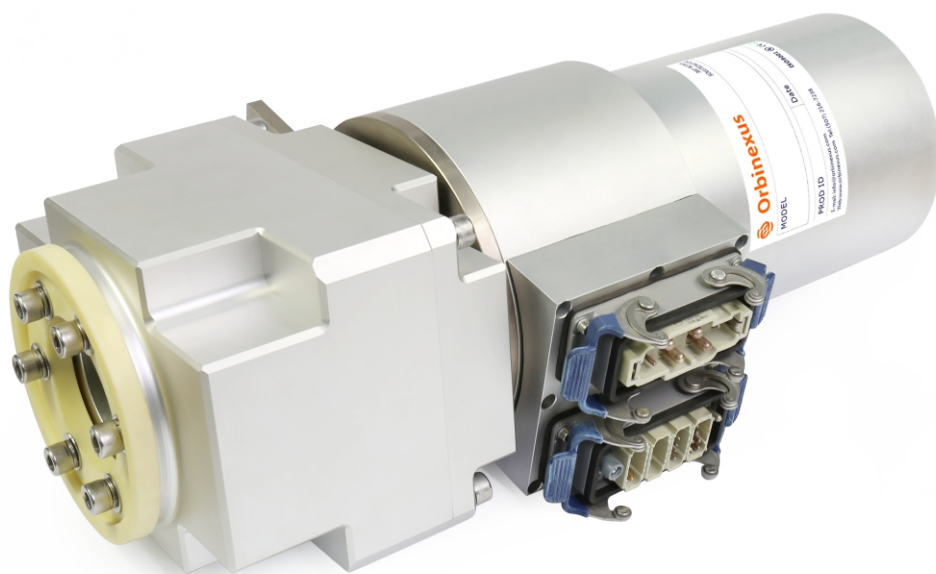
If there are changes in the appearance and size of the product, the actual product should prevail.

BXMF1742-5P-CQ15

NEW UNITED 1.5MW SERIES FANS

- Each Loop Is Designed With Multi-contact Technology For Reliable And Stable Operation
- Can Transfer Rs485, Can-bus, Profibus, Ethernet And Other Bus Data
- Anti-dust Design, Fully Meet The Dust Requirements In Desert Use
- Standard Flange Configuration, Can Be Well Matched With The Fan Of Each Manufacturer
- Optional Temperature Control System, Fully Adapted To A Variety Of Harsh Operating Environments
- Designed In Accordance With Military-grade Vibration Standards, Fully Adapted To The Vibration Environment Of The Fan
- Imported Contact Materials, Military Grade Plating, Long Wear Life, Low Contact Resistance
- Standard Aluminum Case And Housing

Product images



The pictures are for reference only

If there are changes in the appearance and size of the product, the actual product should prevail.

BXMF1743-5P-JF15

GOLDWIND 1.5MW SERIES FAN

- Each Loop Is Designed With Multi-contact Technology For Reliable And Stable Operation
- Can Transfer Rs485, Can-bus, Profibus, Ethernet And Other Bus Data
- Anti-dust Design, Fully Meet The Dust Requirements In Desert Use
- Standard Flange Configuration, Can Be Well Matched With The Fan Of Each Manufacturer
- Optional Temperature Control System, Fully Adapted To A Variety Of Harsh Operating Environments
- Designed In Accordance With Military-grade Vibration Standards, Fully Adapted To The Vibration Environment Of The Fan
- Imported Contact Materials, Military Grade Plating, Long Wear Life, Low Contact Resistance
- Standard Aluminum Case And Housing

Product images



The pictures are for reference only

If there are changes in the appearance and size of the product, the actual product should prevail.

BXMF1744-5P-JF15

GOLDWIND 1.5MW SERIES FAN

- Each Loop Is Designed With Multi-contact Technology For Reliable And Stable Operation
- Can Transfer Rs485, Can-bus, Profibus, Ethernet And Other Bus Data
- Anti-dust Design, Fully Meet The Dust Requirements In Desert Use
- Standard Flange Configuration, Can Be Well Matched With The Fan Of Each Manufacturer
- Optional Temperature Control System, Fully Adapted To A Variety Of Harsh Operating Environments
- Designed In Accordance With Military-grade Vibration Standards, Fully Adapted To The Vibration Environment Of The Fan
- Imported Contact Materials, Military Grade Plating, Long Wear Life, Low Contact Resistance
- Standard Aluminum Case And Housing

Product images



The pictures are for reference only

If there are changes in the appearance and size of the product, the actual product should prevail.

BXMF1745-3P-NC16

CRRC 1.65MW SERIES FANS

- Each Loop Is Designed With Multi-contact Technology For Reliable And Stable Operation
 - Can Transfer Rs485, Can-bus, Profibus, Ethernet And Other Bus Data
 - Anti-dust Design, Fully Meet The Dust Requirements In Desert Use
 - Standard Flange Configuration, Can Be Well Matched With The Fan Of Each Manufacturer
 - Optional Temperature Control System, Fully Adapted To A Variety Of Harsh Operating Environments
 - Designed In Accordance With Military-grade Vibration Standards, Fully Adapted To The Vibration Environment Of The Fan
 - Imported Contact Materials, Military Grade Plating, Long Wear Life, Low Contact Resistance
 - Standard Aluminum Case And Housing
-

Product images



The pictures are for reference only

If there are changes in the appearance and size of the product, the actual product should prevail.

BXMF1746-5P-YJ15

ENVISION 1.5MW SERIES FAN

- Each Loop Is Designed With Multi-contact Technology For Reliable And Stable Operation
- Can Transfer Rs485, Can-bus, Profibus, Ethernet And Other Bus Data
- Anti-dust Design, Fully Meet The Dust Requirements In Desert Use
- Standard Flange Configuration, Can Be Well Matched With The Fan Of Each Manufacturer
- Optional Temperature Control System, Fully Adapted To A Variety Of Harsh Operating Environments
- Designed In Accordance With Military-grade Vibration Standards, Fully Adapted To The Vibration Environment Of The Fan
- Imported Contact Materials, Military Grade Plating, Long Wear Life, Low Contact Resistance
- Standard Aluminum Case And Housing

Product images



The pictures are for reference only

If there are changes in the appearance and size of the product, the actual product should prevail.

BXMF1746-5P-YJ21

ENVISION 2.1MW SERIES FAN

- Each Loop Is Designed With Multi-contact Technology For Reliable And Stable Operation
- Can Transfer Rs485, Can-bus, Profibus, Ethernet And Other Bus Data
- Anti-dust Design, Fully Meet The Dust Requirements In Desert Use
- Standard Flange Configuration, Can Be Well Matched With The Fan Of Each Manufacturer
- Optional Temperature Control System, Fully Adapted To A Variety Of Harsh Operating Environments
- Designed In Accordance With Military-grade Vibration Standards, Fully Adapted To The Vibration Environment Of The Fan
- Imported Contact Materials, Military Grade Plating, Long Wear Life, Low Contact Resistance
- Standard Aluminum Case And Housing

Product images



The pictures are for reference only

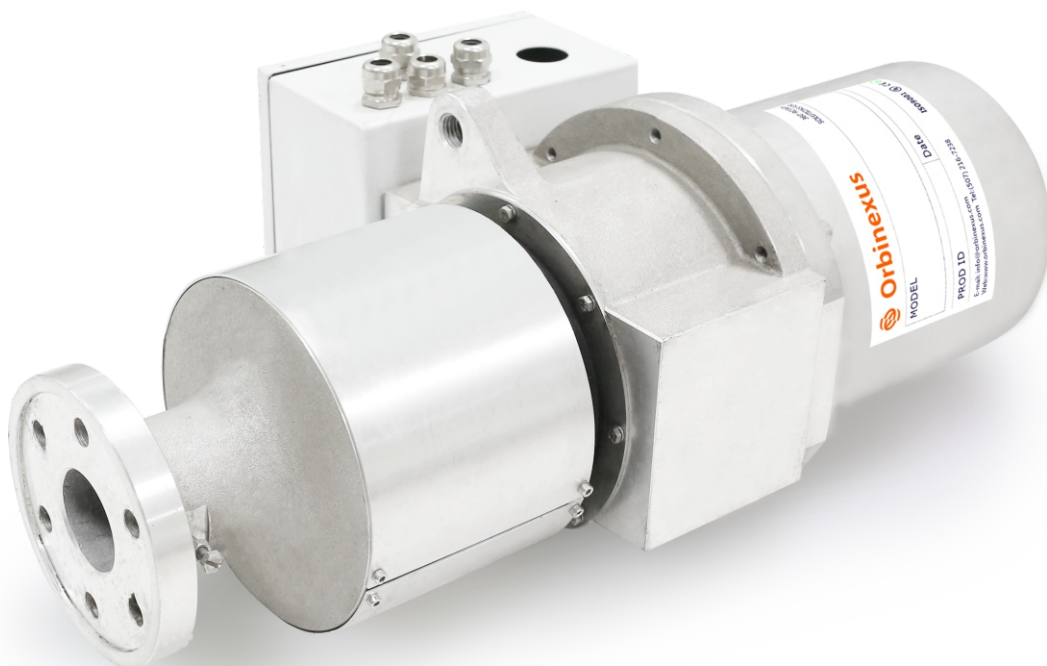
If there are changes in the appearance and size of the product, the actual product should prevail.

BXMF1746-5P-YJ23

ENVISION 2.3MW SERIES FAN

- Each Loop Is Designed With Multi-contact Technology For Reliable And Stable Operation
- Can Transfer Rs485, Can-bus, Profibus, Ethernet And Other Bus Data
- Anti-dust Design, Fully Meet The Dust Requirements In Desert Use
- Standard Flange Configuration, Can Be Well Matched With The Fan Of Each Manufacturer
- Optional Temperature Control System, Fully Adapted To A Variety Of Harsh Operating Environments
- Designed In Accordance With Military-grade Vibration Standards, Fully Adapted To The Vibration Environment Of The Fan
- Imported Contact Materials, Military Grade Plating, Long Wear Life, Low Contact Resistance
- Standard Aluminum Case And Housing

Product images



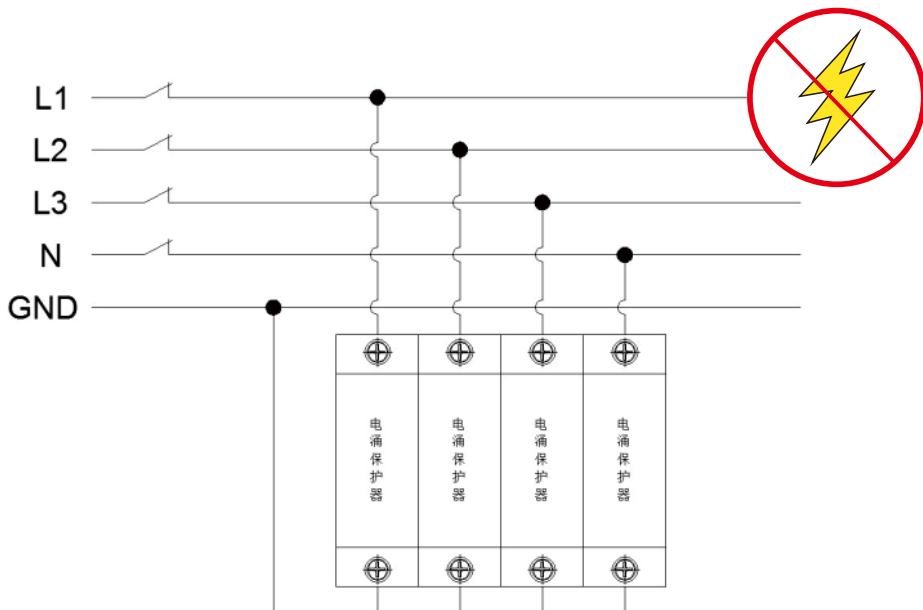
The pictures are for reference only

If there are changes in the appearance and size of the product, the actual product should prevail.

MOFLON MF SERIES WIND TURBINE PITCHING SLIP RING FEATURES

1. Good lightning protection measures

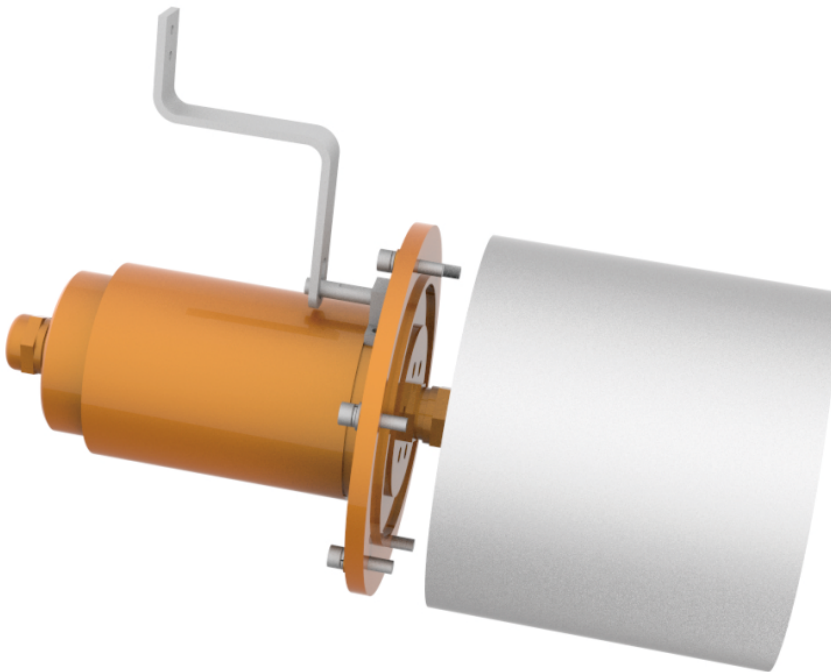
Lightning protection: A surge protector is installed in the circuit. It could limit the instantaneous over-voltage of the power line and the signal transmission line to the voltage range that the equipment or system can withstand, or to discharge a powerful lightning current into the ground to protect the protected equipment or systems are not subject to shock.



2. Easy and simple to install

Easy to install: The slip ring and the rotor outlet are equipped with connectors. When installing, only the corresponding connectors need to be docked to complete the line connection.

3. Stable transmission of control signal and communication signal



4. Concise line

5. The volume is smaller than the traditional wind turbine slip ring

6. Easy maintenance

Easy maintenance: After the slip ring is used for a long time, there will be slight dust and oil in the internal space. The inner casing can be cleaned by unpacking the outer casing. It is not necessary to disassemble the slip ring structure.