

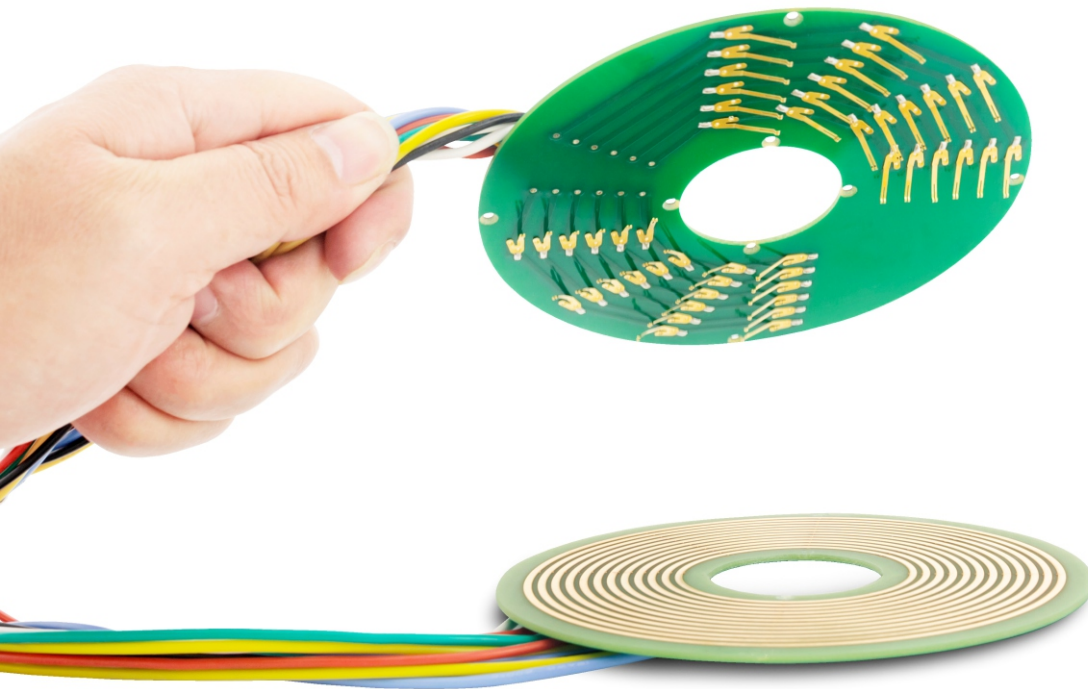
BPCB SERIES

Pancake Slip Rings

BPCB series pancake slip ring is used for highly limited height space, extend transverse space that could satisfy the requirement of special space, typical characteristics are small height, large diameter. Contact with precious metals which have high stability, low torque, low loss, maintenance-free, low electrical noise, long working characteristics, especially widely used in small space!

Features

- Thickness can up to 5.8mm
- 2 Precious metals contact with high stability, high reliability

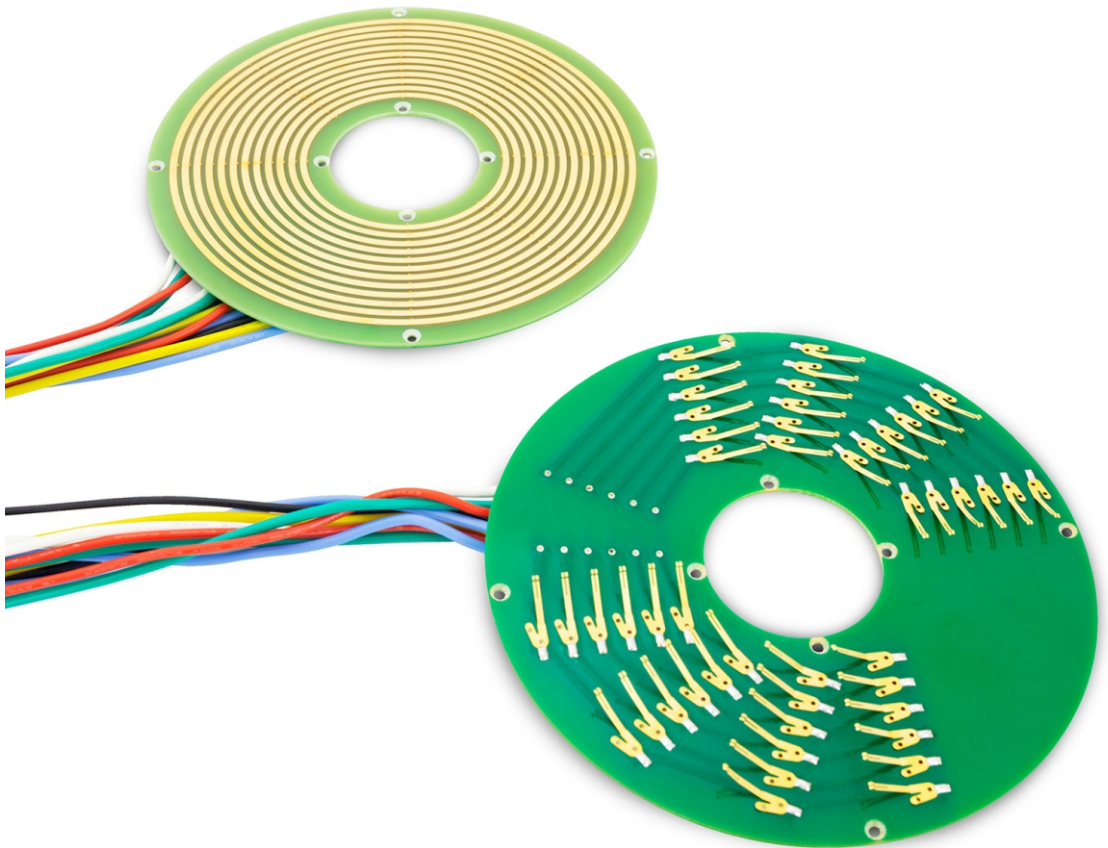


BPCB Series Models

Model#	ID(mm)	Thickness(mm)	Rings(circuits)
BPCB012	12.7	6	1~12
BPCB025	25.4	6	1~12
BPCB038	38.1	6	1~12
BPCB050	50	6	1~12

BPCB012 SERIES PCB SLIP RING

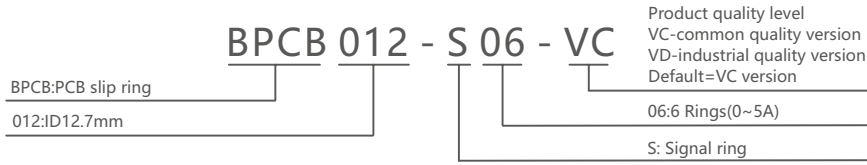
BPCB012 ultrathin pancake series slip ring, adopt PCB substrate, thickness can up to 5.8 mm, which made of super hard gold plating, super thick copper foil process, maximum current can up to 10A, color-coded lead wires are used on both the stator and rotor for simplified electrical connections.



The pictures are for reference only

If there are changes in the appearance and size of the product, the actual product should prevail.

Part# Explanation



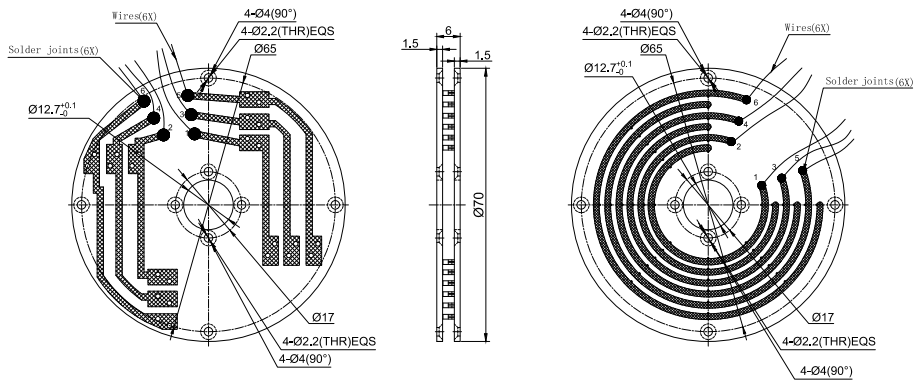
BPCB012 Series Parts# List

Parts#	10A	Signal or (5A)	Rings
BPCB012-S06	0	6	12
BPCB012-S12	0	12	12

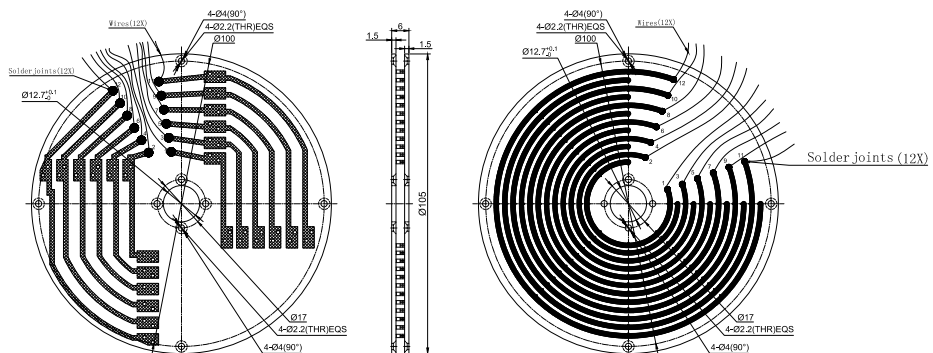
Note:1) N channels 5A rings parallel can be used as 1 channel N*5A current. For example: 2 rings 5A parallel could be used as 1 wires 10A
2) ID and circuits can be customized according to customers' requirements,plz contact with sales representative

Dimensions

1. BPCB012-S06 dimensions



2. BPCB012-S12 dimensions



Mechanical Data

Project	Numerical value
Working Life	See product quality level table
Rotating Speed	See product quality level table
Working Temperature	-30°C~80°C
Operating Humidity	0~85% RH
Contact Material	See product quality level table
Housing Material	Aluminium alloy
Torque	0.1N.m; +0.03N.m/6rings
Protection Grade	IP41

Electrical Data

Project	Power	Signal
Rated Voltage	0~220VAC/VDC	0~220VAC/VDC
Insulation Resistance	≥500MΩ/240VDC	≥500MΩ/240VDC
Lead Wire	AWG16# Silicone Wire	AWG224# Silicone Wire
Lead Length	Standard 300mm (adjustable)	
Dielectric Strength	100VAC@50Hz, 60s	
Electrical Noise	<0.01Ω	

Product Quality Level Table

Products Level Code	Max Rotating Speed	Working Life	Contact Material
VC	100RPM	3 Million Revs	Precious Metal
VD	300RPM	10 Million Revs	Gold-plated

Lead Wires Color Code

Ring	1	2	3	4	5	6	7	8	9	10	11	12
Color	BLK	RED	YEL	GRN	BLU	WHT	BLK	RED	YEL	GRN	BLU	WHT

Note: 6 wires for 1 group color, from 7-12, repeat the same color as 1...6, indicated with number code pipe.

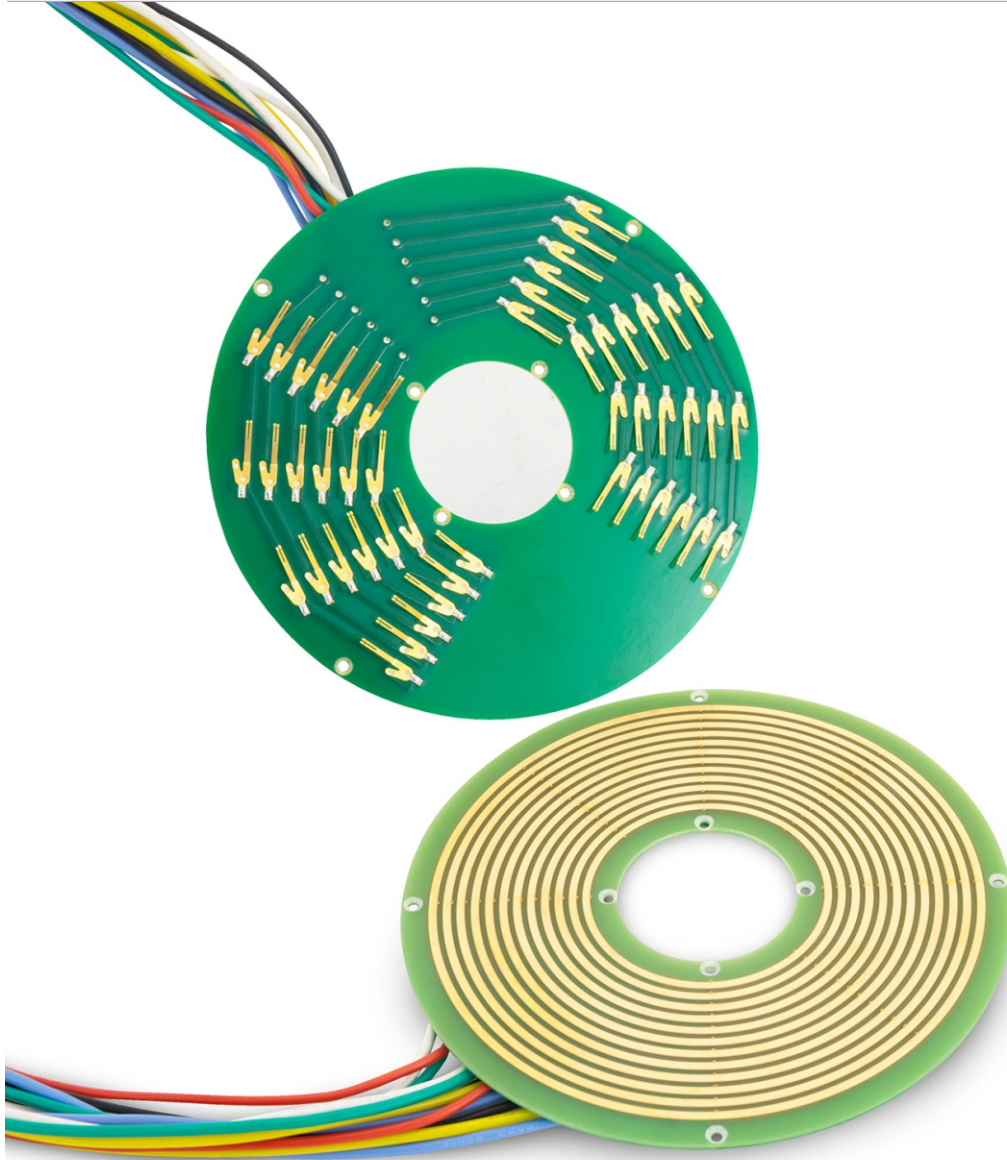
Options for custom slip ring

Note: The following special requirements can be customized, lead time will increase 3 ~ 15 days, cost increased 5% ~ 50%, most of basic parts have standardized, modular, customized also can greatly reduce the cost and lead time.

1. Can be customized for different bore size.
2. Can be customized for different circuits.
3. Can add housing for protection

BPCB025 SERIES PCB SLIP RING

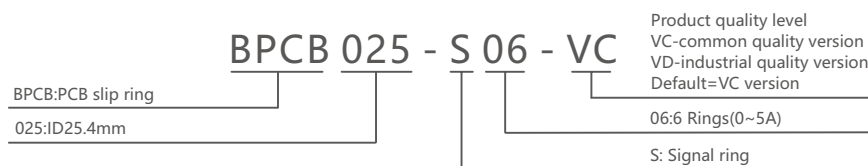
BPCB025 ultrathin pancake series slip ring, adopt PCB substrate, thickness can up to 5.8 mm, which made of super hard gold plating, super thick copper foil process, maximum current can up to 10A, color-coded lead wires are used on both the stator and rotor for simplified electrical connections.



The pictures are for reference only

If there are changes in the appearance and size of the product, the actual product should prevail.

Part# Explanation



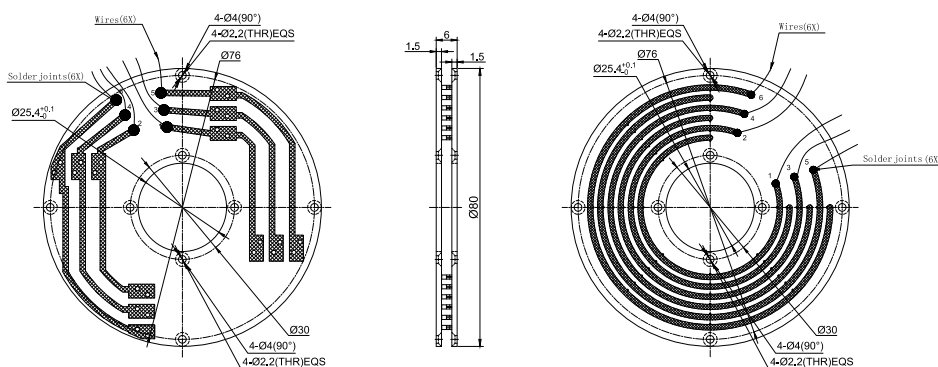
BPCB025 Series Parts# List

Parts#	10A	Signal or (5A)	Rings
BPCB025-S06	0	6	6
BPCB025-P0610	6	0	6
BPCB025-S12	0	12	12
BPCB025-P1210	12	0	12

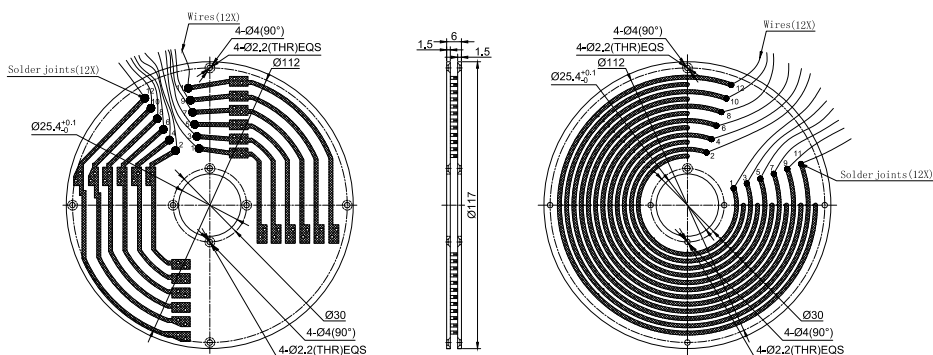
Note:1) N channels 5A rings parallel can be used as 1 channel N*5A current. For example: 2 rings 5A parallel could be used as 1 wires 10A
2) ID and circuits can be customized according to customers' requirements,plz contact with sales representative

Dimensions

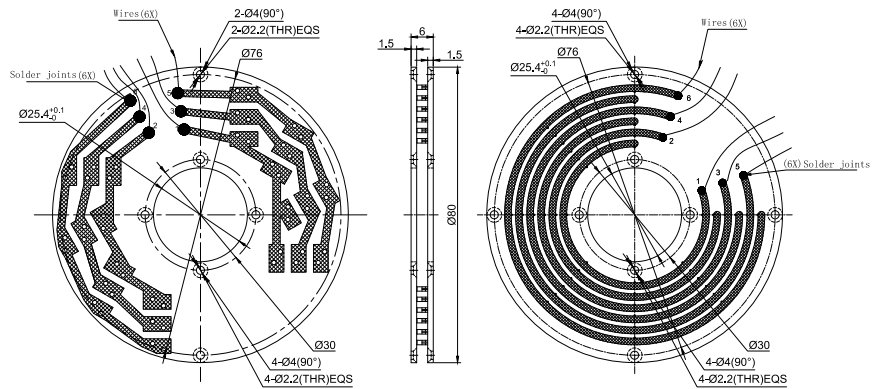
1. BPCB025-S06 dimensions



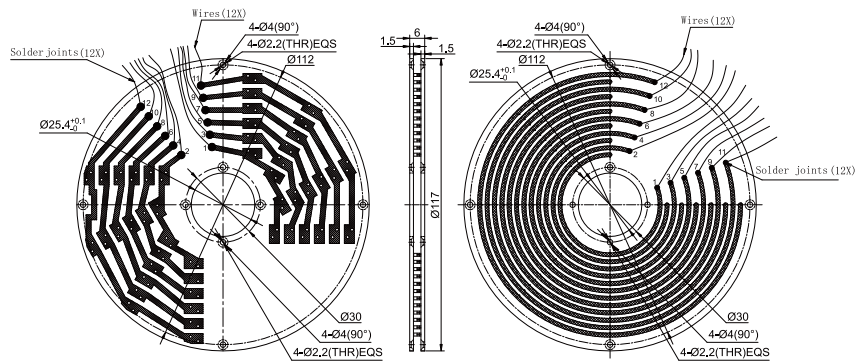
2. BPCB025-S12 dimensions



3. BPCB025-P0610– dimensions



4. BPCB025-P1210– dimensions



Mechanical Data

Project	Numerical value
Working Life	See product quality level table
Rotating Speed	See product quality level table
Working Temperature	-30°C~80°C
Operating Humidity	0~85% RH
Contact Material	See product quality level table
Housing Material	Aluminium alloy
Torque	0.5N.m; +0.03N.m/6rings
Protection Grade	IP41

Electrical Data

Project	Power	Signal
Rated Voltage	0~220VAC/VDC	0~220VAC/VDC
Insulation Resistance	$\geq 500\text{M}\Omega/240\text{VDC}$	$\geq 500\text{M}\Omega/240\text{VDC}$
Lead Wire	AWG18# Silicone Wire	AWG244# Silicone Wire
Lead Length	Standard 300mm (adjustable)	
Dielectric Strength	100VAC@50Hz, 60s	
Electrical Noise	<0.01	

Product Quality Level Table

Products Level Code	Max Rotating Speed	Working Life	Contact Material
VC	100RPM	3 Million Revs	Precious Metal
VD	300RPM	10 Million Revs	Gold-plated

Lead Wires Color Code

Ring	1	2	3	4	5	6	7	8	9	10	11	12
Color	BLK	RED	YEL	GRN	BLU	WHT	BLK	RED	YEL	GRN	BLU	WHT

Note: 6 wires for 1 group color, from 7-12, repeat the same color as 1...6, indicated with number code pipe.

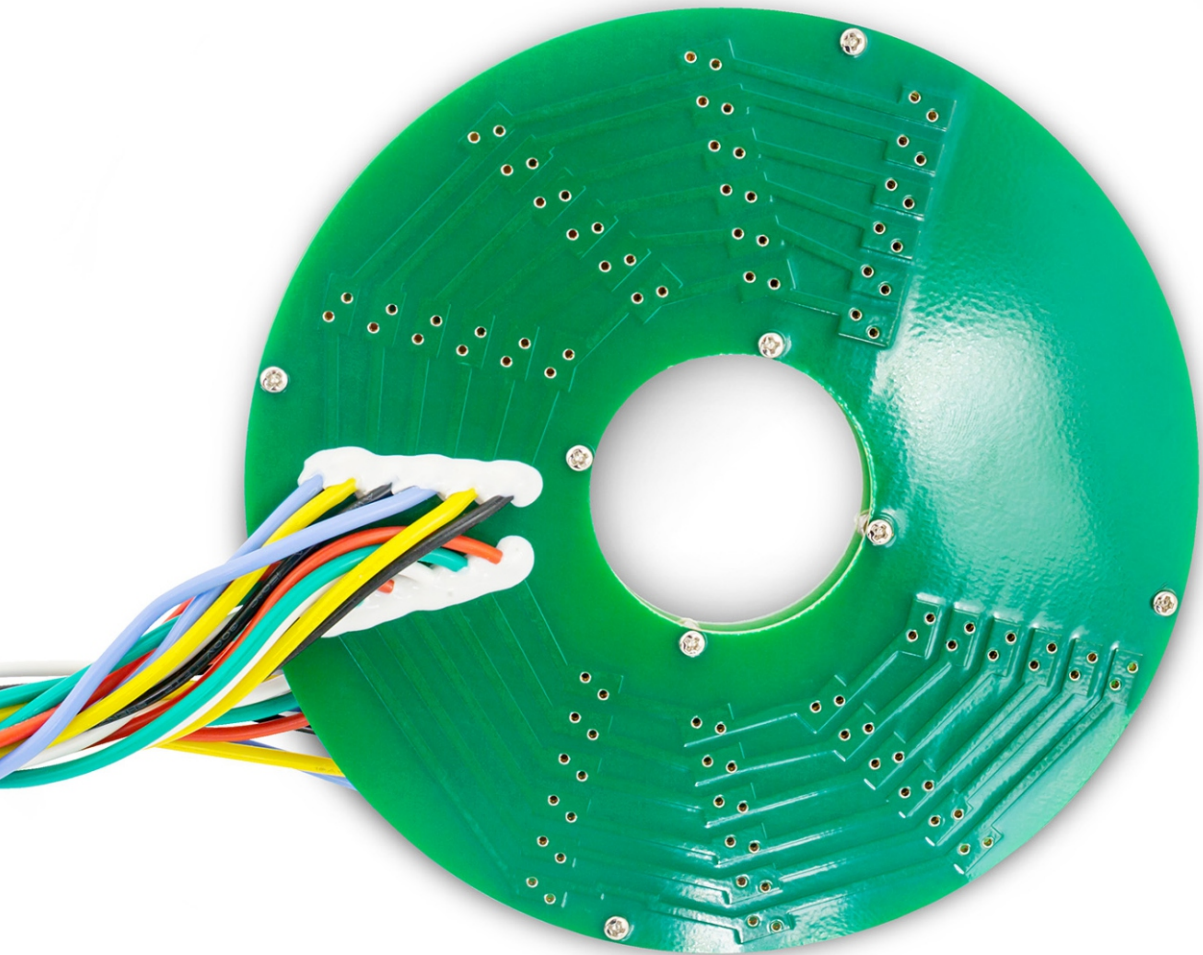
Options for custom slip ring

Note: The following special requirements can be customized, lead time will increase 3 ~ 15 days, cost increased 5% ~ 50%, most of basic parts have standardized, modular, customized also can greatly reduce the cost and lead time.

1. Can be customized for different bore size.
2. Can be customized for different circuits.
3. Can add housing for protection

BPCB038 SERIES PCB SLIP RING

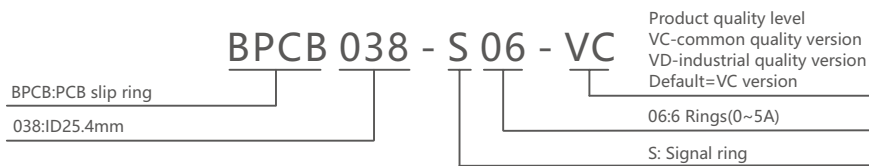
BPCB038 ultrathin pancake series slip ring, adopt PCB substrate, thickness can up to 5.8 mm, which made of super hard gold plating, super thick copper foil process, maximum current can up to 10A, color-coded lead wires are used on both the stator and rotor for simplified electrical connections.



The pictures are for reference only

If there are changes in the appearance and size of the product, the actual product should prevail.

Part# Explanation



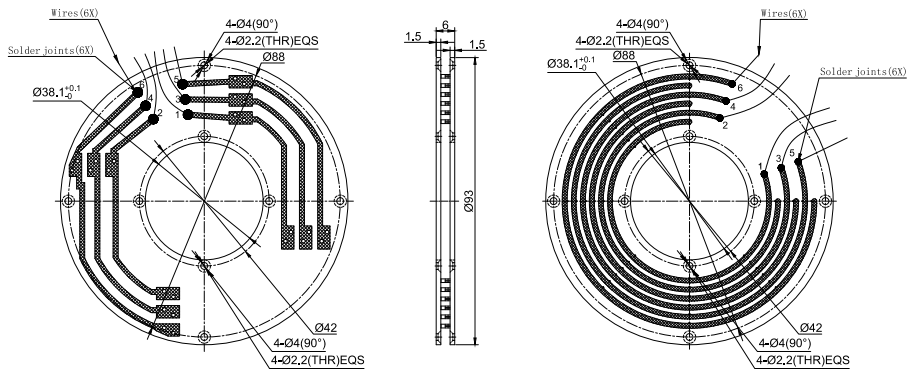
BPCB025 Series Parts# List

Parts#	10A	Signal or (5A)	Rings
BPCB038-S06	0	6	6
BPCB038-P0610	6	0	6
BPCB038-S12	0	12	12
BPCB038-P1210	12	6	12

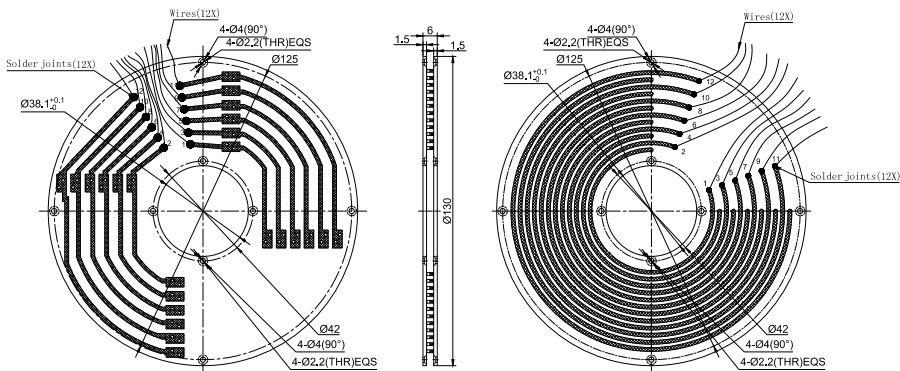
Note:1) N channels 5A rings parallel can be used as 1 channel N*5A current. For example: 2 rings 5A parallel could be used as 1 wires 10A
 2) ID and circuits can be customized according to customers' requirements,plz contact with sales representative

Dimensions

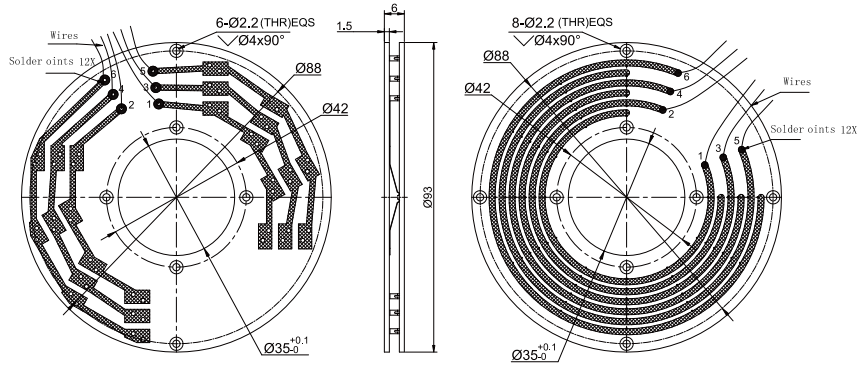
1. BPCB038-S06 dimensions



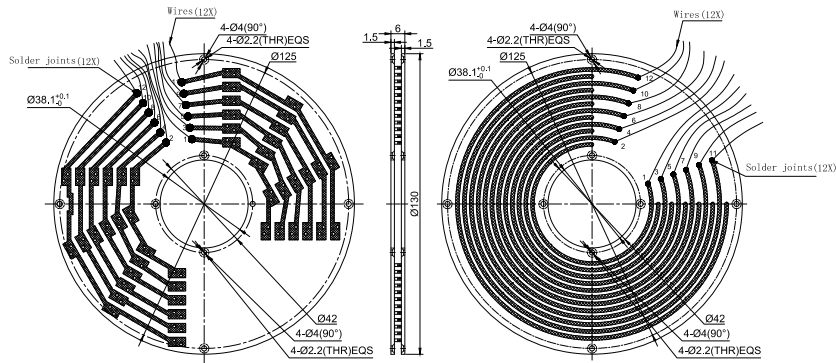
2. BPCB038-S12 dimensions



3. BPCB038-P0610 dimensions



4. BPCB038-P1210 dimensions



Mechanical Data

Project	Numerical value
Working Life	See product quality level table
Rotating Speed	See product quality level table
Working Temperature	-30°C~80°C
Operating Humidity	0~85% RH
Contact Material	See product quality level table
Housing Material	Aluminium alloy
Torque	0.1N.m; +0.03N.m/6rings
Protection Grade	IP41

Electrical Data

Project	Power	Signal
Rated Voltage	0~220VAC/VDC	0~220VAC/VDC
Insulation Resistance	≥500MΩ/240VDC	≥500MΩ/240VDC
Lead Wire	AWG18# Silicone Wire	AWG244# Silicone Wire
Lead Length	Standard 300mm (adjustable)	
Dielectric Strength	100VAC@50Hz, 60s	
Electrical Noise	<0.01Ω	

Product Quality Level Table

Products Level Code	Max Rotating Speed	Working Life	Contact Material
VC	100RPM	1 Million Revs	Precious Metal
VD	300RPM	10 Million Revs	Gold-plated

Lead Wires Color Code

Ring	1	2	3	4	5	6	7	8	9	10	11	12
Color	BLK	RED	YEL	GRN	BLU	WHT	BLK	RED	YEL	GRN	BLU	WHT

Note: 6 wires for 1 group color, from 7-12, repeat the same color as 1...6, indicated with number code pipe.

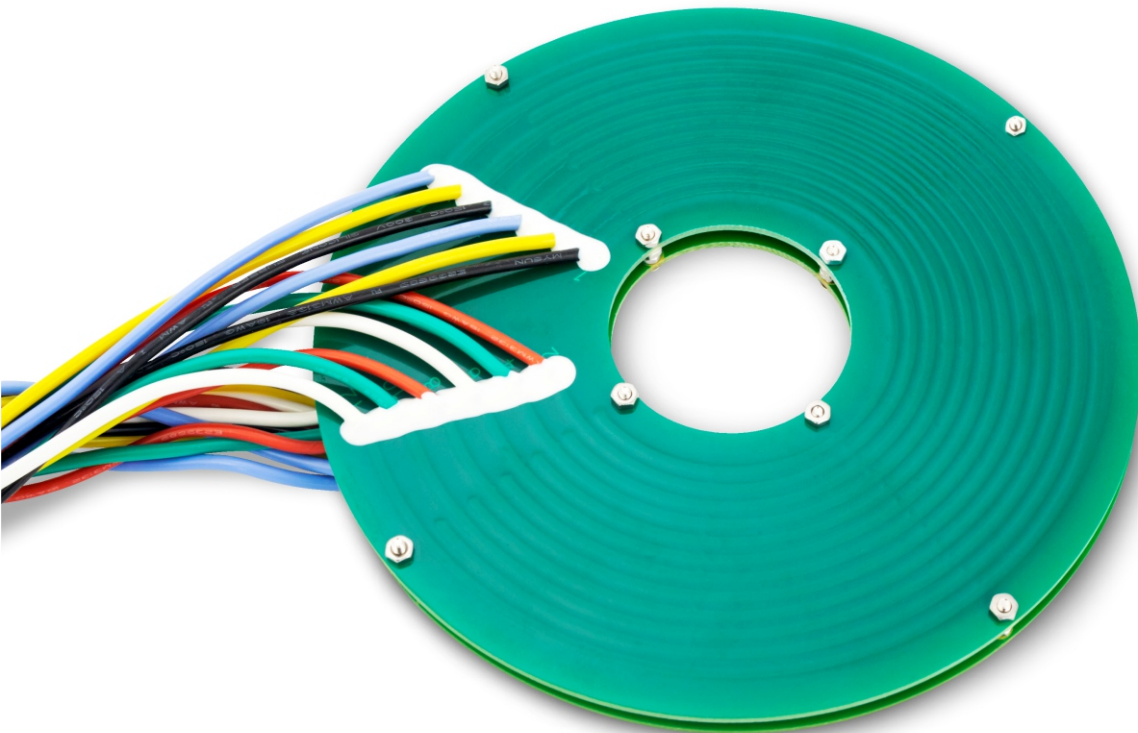
Options for custom slip ring

Note: The following special requirements can be customized, lead time will increase 3 ~ 15 days, cost increased 5% ~ 50%, most of basic parts have standardized, modular, customized also can greatly reduce the cost and lead time.

1. Can be customized for different bore size.
2. Can be customized for different circuits.
3. Can add housing for protection

BPCB050 SERIES PCB SLIP RING

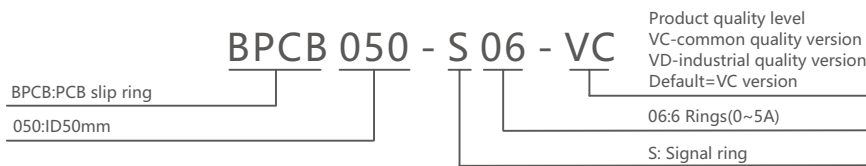
BPCB050 ultrathin pancake series slip ring, adopt PCB substrate, thickness can up to 5.8 mm, which made of super hard gold plating, super thick copper foil process, maximum current can up to 10A, color-coded lead wires are used on both the stator and rotor for simplified electrical connections.



The pictures are for reference only

If there are changes in the appearance and size of the product, the actual product should prevail.

Part# Explanation



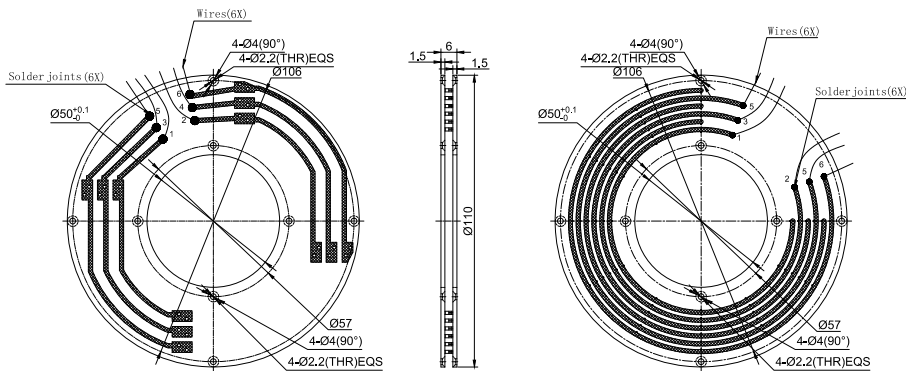
BPCB025 Series Parts# List

Parts#	10A	Signal or (5A)	Rings
BPCB050-S06	0	6	6
BPCB050-P0610	6	0	6
BPCB050-S12	0	12	12
BPCB050-P1210	12	0	12

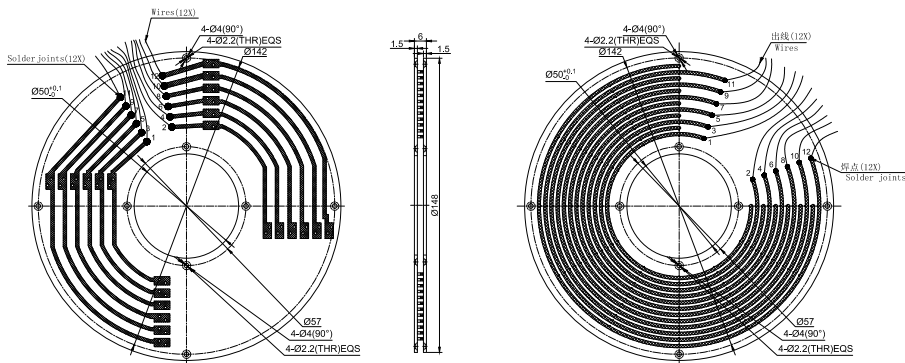
Note:1) N channels 5A rings parallel can be used as 1 channel N*5A current. For example: 2 rings 5A parallel could be used as 1 wires 10A
 2) ID and circuits can be customized according to customers' requirements,plz contact with sales representative

Dimensions

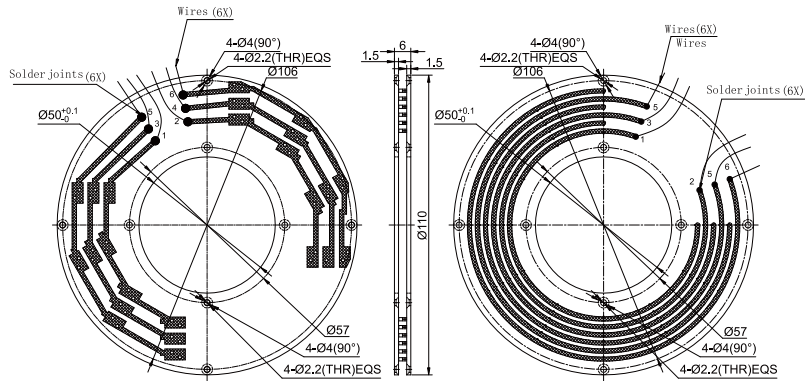
1. BPCB050-S06 dimensions



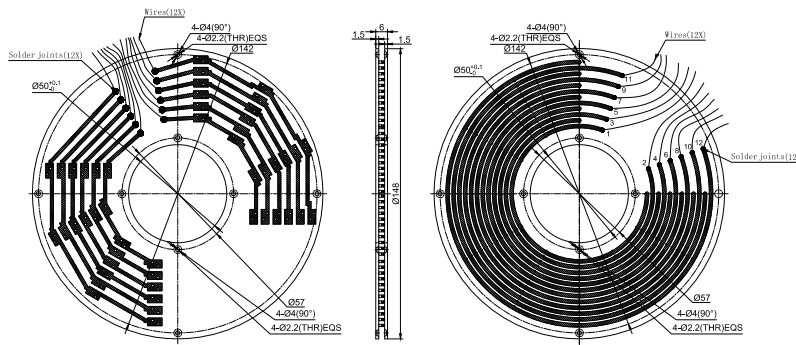
2. BPCB050-S12 dimensions



2. MPCB050-P0610 dimensions



2. MPCB050-P1210 dimensions



Mechanical Data

Project	Numerical value
Working Life	See product quality level table
Rotating Speed	See product quality level table
Working Temperature	-30°C~80°C
Operating Humidity	0~85% RH
Contact Material	See product quality level table
Housing Material	Aluminium alloy
Torque	0.05N.m; +0.03N.m/6rings
Protection Grade	IP41

Electrical Data

Project	Power	Signal
Rated Voltage	0~220VAC/VDC	0~220VAC/VDC
Insulation Resistance	≥500MΩ/240VDC	≥500MΩ/240VDC
Lead Wire	AWG18# Silicone Wire	AWG244# Silicone Wire
Lead Length	Standard 300mm (adjustable)	
Dielectric Strength	100VAC@50Hz, 60s	
Electrical Noise	<0.01Ω	

Product Quality Level Table

Products Level Code	Max Rotating Speed	Working Life	Contact Material
VC	100RPM	3 Million Revs	Precious Metal
VD	300RPM	10 Million Revs	Gold-plated

Lead Wires Color Code

Ring	1	2	3	4	5	6	7	8	9	10	11	12
Color	BLK	RED	YEL	GRN	BLU	WHT	BLK	RED	YEL	GRN	BLU	WHT

Note: 6 wires for 1 group color, from 7-12, repeat the same color as 1...6, indicated with number code pipe.

Options for custom slip ring

Note: The following special requirements can be customized, lead time will increase 3 ~ 15 days, cost increased 5% ~ 50%, most of basic parts have standardized, modular, customized also can greatly reduce the cost and lead time.

1. Can be customized for different bore size.
2. Can be customized for different circuits.
3. Can add housing for protection