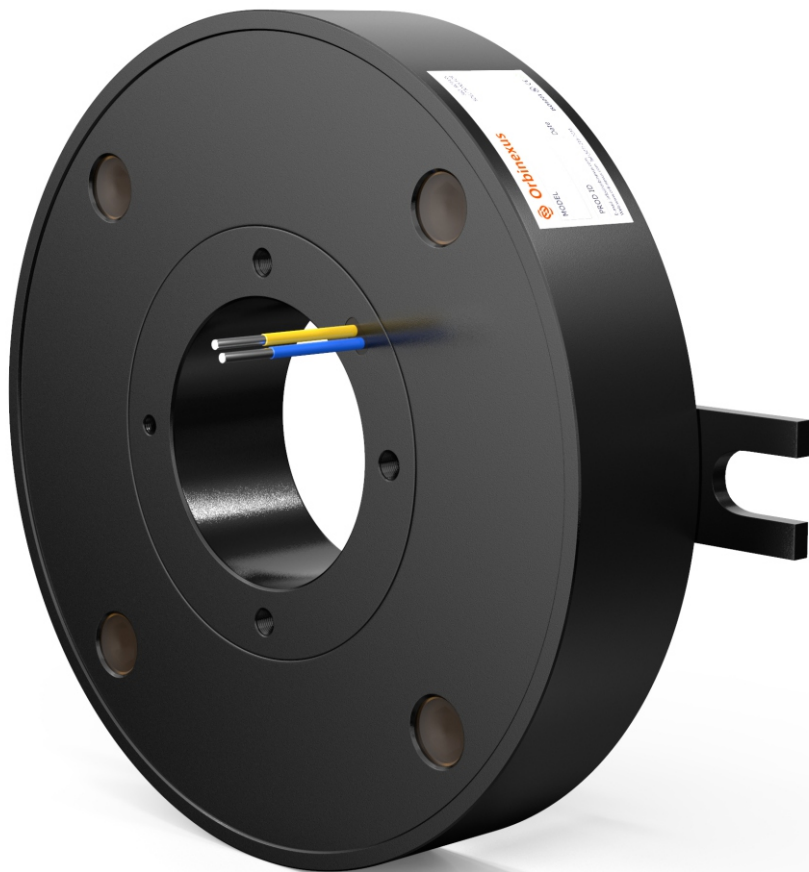


BP SERIES Pancake Slip Rings

Disc slip ring is a type of slip ring designed to meet special space series requirements with limited height space and expanded lateral space. Its typical features are small height, large outer diameter, and the like of a plate, hence it is called a disc slip ring. The contacts are made of precious metals, which have the characteristics of high stability, low torque, low loss and maintenance free, low electrical noise, and long service life. They are especially widely used in situations with limited installation space!

Features

- The thinnest thickness can reach 15.8mm
- The disc type conductive slip ring adopts a special vacuum infusion process
- The shrapnel contacts are made of precious metals, which have high stability and reliability.



BP Series Models

Model#	ID(mm)	OD(mm)	Number Of Servo Motors
BP210	12.7	20	2~24
BP310	12.7	15.8mm~77.4mm	2~24
BP220	25.4	22	2~24
BP320	25.4	17.1mm~91.9mm	2~24
BP240	40	30	2~24
BP340	40	17.1mm~91.9mm	2~24
BP250	50	30	2~24
BP350	50	17.1mm~91.9mm	2~24
BP270	70	30	2~24
BP370	70	17.5mm~83.5mm	2~24
BP380	80	18.2mm~88.6mm	2~24

BP210 SERIES PANCAKE SLIP RING

BP210 pancake slip ring has a thickness of 20mm, through bore size is 12.7mm, all aluminum alloy structure, using precious metal contact material and gold-plated processing. It can transmit stable signal and power with small resistance fluctuations.

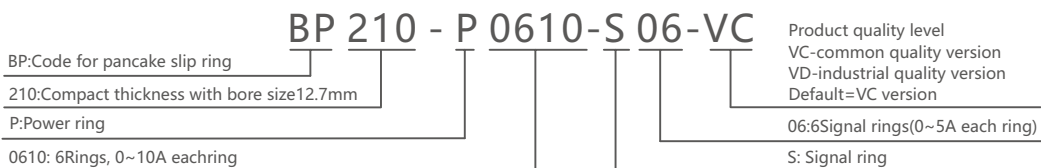
Designed for min thickness requirements, when thickness is limitative but diameter is no limitative.



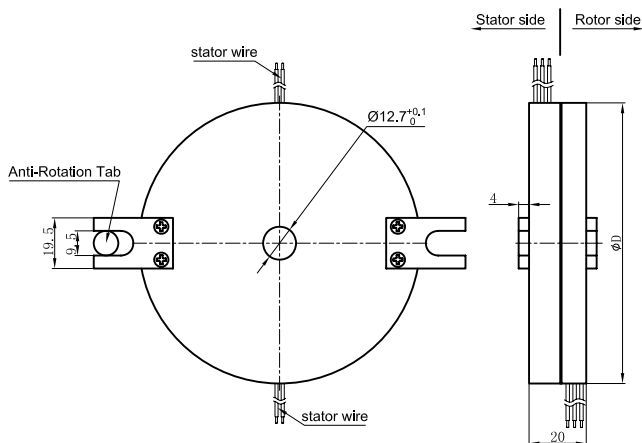
The pictures are for reference only

If there are changes in the appearance and size of the product, the actual product should prevail.

Part# Explanation



Dimensions



BP210 Series Pancake Slip Ring

Parts#	Signal(5A)	10A	20A	OD(mm)
BP210-S02	2	0	0	76
BP210-P0210	0	2	0	76
BP210-P0210-S02	2	2	0	92
BP210-P0410	0	4	0	90
BP210-S06	6	0	0	108
BP210-S06	0	6	0	108
BP210-P0410-S02	2	4	6	108
BP210-P0210-S04	4	2	0	108
BP210-S12	12	0	0	156
BP210-P1210	0	12	0	156
BP210-P1220	0	0	12	156
BP210-P0610-S06	6	6	0	156
BP210-P0620-S06	6	0	6	156
BP210-S18	18	0	0	204
BP210-P1810	0	18	0	204
BP210-P1210-S12	12	6	0	204
BP210-P1210-S06	6	12	0	204

Parts#	Signal(5A)	10A	20A	OD(mm)
BP210-P0810-S10	10	8	0	204
BP210-S24	24	0	0	252
BP210-P2410	0	24	0	252
BP210-P0610-S08	18	6	0	252
BP210-P1210-S12	12	12	0	252

Note:1) N channels 10A rings parallel can be used as 1 channel N*10A current. For example: 2 rings 10A parallel could be used as 1 wires 20A
2) Through bore size, total circuits and current can be customized, please contact sales for more details.

Mechanical Data

Project	Numerical value
Working Life	See product quality level table
Rotating Speed	See product quality level table
Working Temperature	-30°C~80°C
Operating Humidity	0~85% RH
Contact Material	See product quality level table
Housing Material	aluminium alloy
Torque	0.1N.m; +0.03N.m/6rings
Protection Grade	IP51

Electrical Data

Project	Power	Signal
Rated Voltage	0~220VAC/VDC	0~220VAC/VDC
Insulation Resistance	≥1000MΩ/240VDC	≥1000MΩ/240VDC
Lead Wire	AWG18#Teflon	AWG24#Teflon
Lead Length	Standard 300mm (adjustable)	
Dielectric Strength	100VAC@50Hz, 60s	
Electrical Noise	<0.01Ω	

Product Quality Level Table

Products Level Code	Max Rotating Speed	Working Life	Contact Material
VC	60RPM	3 Million Revs	Precious Metal
VD	200RPM	10 Million Revs	Gold-plated

Lead Wires Color Code

Ring	1	2	3	4	5	6	7	8	9	10	11	12
Color	BLK	RED	YEL	GRN	BLU	WHT	BLK	RED	YEL	GRN	BLU	WHT

Note: 6 wires for 1 group color, from 7-12, repeat the same color as 1...6, indicated with number code pipe.

BP220 SERIES PANCAKE SLIP RING

BP220 pancake slip ring has a thickness of 22mm, through bore size is 25.4mm, all aluminum alloy structure, using precious metal contact material and gold-plated processing. It can transmit stable signal and power with small resistance fluctuations.

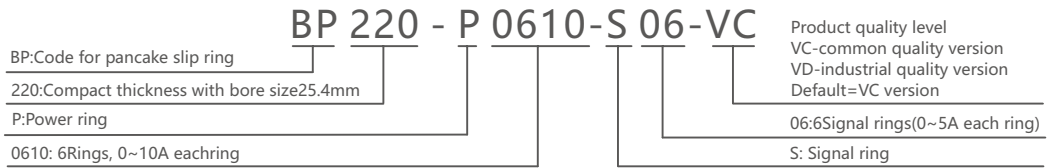
Designed for min thickness requirements, when thickness is limitative but diameter is no limitative.



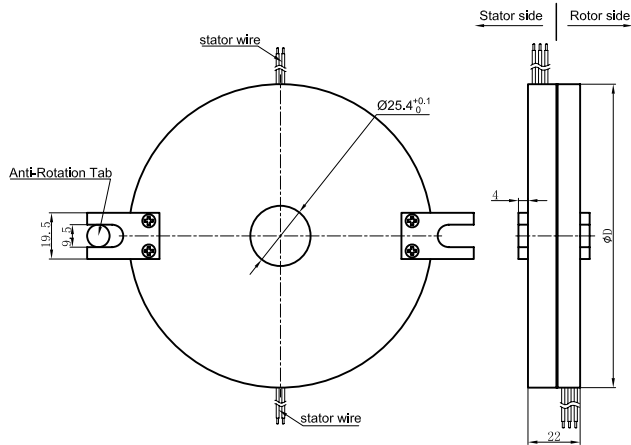
The pictures are for reference only

If there are changes in the appearance and size of the product, the actual product should prevail.

Part# Explanation



Dimensions



BP220 Series Pancake Slip Ring

Parts#	Signal(5A)	10A	20A	OD(mm)
BP220-S02	2	0	0	92
BP220-P0210	0	2	0	92
BP220-P0210-S02	2	2	0	108
BP220-P0410	0	4	0	108
BP220-S06	6	0	0	124
BP220-P0610	0	6	0	124
BP220-P0620	0	0	6	124
BP220-P0210-S04	4	2	0	124
BP220-S12	12	0	0	172
BP220-P1210	0	12	0	172
BP220-P1220	0	0	12	172
BP220-P0610-S06	6	6	0	172
BP220-P0620-S06	6	0	6	172
BP220-S18	18	0	0	246
BP220-P1810	0	18	0	246
BP220-P0610-S12	12	6	0	246
BP220-P1210-S06	6	12	0	246

Parts#	Signal(5A)	10A	20A	OD(mm)
BP220-P0810-S10	10	8	0	246
BP220-S24	24	0	0	282
BP220-P2410	0	24	0	282
BP220-P0610-S18	18	6	0	282
BP220-P1210-S12	12	12	0	282

Note:1) N channels 10A rings parallel can be used as 1 channel N*10A current. For exaBPle: 2 rings 10A parallel could be used as 1 wires 20A
2) Through bore size,total circuits and current can be customized,please contact sales for more details.

Mechanical Data

Project	Numerical value
Working Life	See product quality level table
Rotating Speed	See product quality level table
Working Temperature	-30°C~80°C
Operating Humidity	0~85% RH
Contact Material	See product quality level table
Housing Material	aluminium alloy
Torque	0.05N.m; +0.03N.m/6rings
Protection Grade	IP51

Electrical Data

Project	Power	Signal
Rated Voltage	0~220VAC/VDC	0~220VAC/VDC
Insulation Resistance	≥1000MΩ/240VDC	≥1000MΩ/240VDC
Lead Wire	AWG18#Teflon	AWG24#Teflon
Lead Length	Standard 300mm (adjustable)	
Dielectric Strength	100VAC@50Hz, 60s	
Electrical Noise	<0.01Ω	

Product Quality Level Table

Products Level Code	Max Rotating Speed	Working Life	Contact Material
VC	60RPM	3 Million Revs	Precious Metal
VD	200RPM	10 Million Revs	Gold-plated

Lead Wires Color Code

Ring	1	2	3	4	5	6	7	8	9	10	11	12
Color	BLK	RED	YEL	GRN	BLU	WHT	BLK	RED	YEL	GRN	BLU	WHT

Note: 6 wires for 1 group color, from 7-12, repeat the same color as 1...6, indicated with number code pipe.

BP240 SERIES PANCAKE SLIP RING

BP240 pancake slip ring has a thickness of 30mm, through bore size is 40mm, all aluminum alloy structure, using precious metal contact material and gold-plated processing. It can transmit stable signal and power with small resistance fluctuations.

Designed for min thickness requirements, when thickness is limitative but diameter is no limitative.



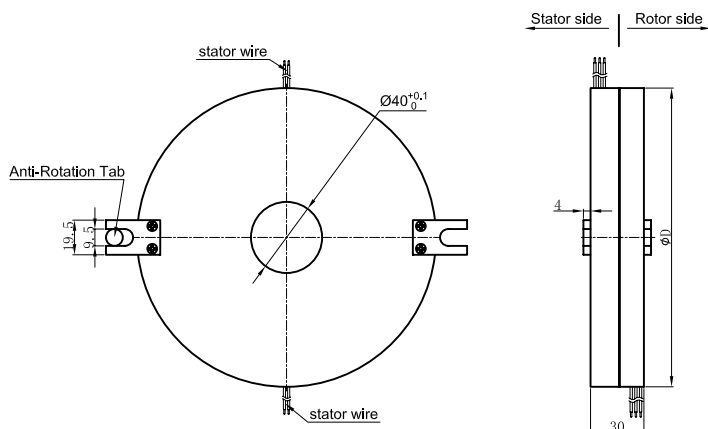
The pictures are for reference only

If there are changes in the appearance and size of the product, the actual product should prevail.

Part# Explanation

BP:Code for pancake slip ring	BP 240 - P 0610-S 06-VC	Product quality level
240:CoBPact thickness with bore size40mm		VC-common quality version
P:Power ring		VD-industrial quality version
0610: 6Rings, 0~10A eachring		Default=VC version
		06:6Signal rings(0~5A each ring)
		S: Signal ring

Dimensions



BP240 Series Pancake Slip Ring

Parts#	Signal(5A)	10A	20A	OD(mm)
BP240-S02	2	0	0	120
BP240-P0210	0	2	0	120
BP240-P0210-S02	2	2	0	136
BP240-P0410	0	4	0	136
BP240-S06	6	0	0	152
BP240-P0610	0	6	0	152
BP240-P0620	0	0	6	152
BP240-P0210-S04	4	2	0	152
BP240-S12	12	0	0	200
BP240-P1210	0	12	0	200
BP240-P1220	0	0	12	200
BP240-P0610-S06	6	6	0	200
BP240-P0620-S06	6	0	6	200
BP240-S18	18	0	0	248
BP240-P1810	0	18	0	248
BP240-P0610-S12	12	6	0	248
BP240-P1210-S06	6	12	0	248

Parts#	Signal(5A)	10A	20A	OD(mm)
BP240-P0810-S10	10	8	0	248
BP240-S24	24	0	0	296

Note:1) N channels 10A rings parallel can be used as 1 channel N*10A current. For example: 2 rings 10A parallel could be used as 1 wires 20A
2) Through bore size, total circuits and current can be customized, please contact sales for more details.

Mechanical Data

Project	Numerical value
Working Life	See product quality level table
Rotating Speed	See product quality level table
Working Temperature	-30°C~80°C
Operating Humidity	0~85% RH
Contact Material	See product quality level table
Housing Material	aluminium alloy
Torque	0.05N.m; +0.03N.m/6rings
Protection Grade	IP51

Electrical Data

Project	Power	Signal
Rated Voltage	0~220VAC/VDC	0~220VAC/VDC
Insulation Resistance	≥1000MΩ/240VDC	≥1000MΩ/240VDC
Lead Wire	AWG18#Teflon	AWG24#Teflon
Lead Length	Standard 300mm (adjustable)	
Dielectric Strength	100VAC@50Hz, 60s	
Electrical Noise	<0.01Ω	

Product Quality Level Table

Products Level Code	Max Rotating Speed	Working Life	Contact Material
VC	60RPM	3 Million Revs	Precious Metal
VD	200RPM	10 Million Revs	Gold-plated

Lead Wires Color Code

Ring	1	2	3	4	5	6	7	8	9	10	11	12
Color	BLK	RED	YEL	GRN	BLU	WHT	BLK	RED	YEL	GRN	BLU	WHT

Note: 6 wires for 1 group color, from 7-12, repeat the same color as 1...6, indicated with number code pipe.

BP250 SERIES PANCAKE SLIP RING

BP250 pancake slip ring has a thickness of 30mm, through bore size is 50mm, all aluminum alloy structure, using precious metal contact material and gold-plated processing. It can transmit stable signal and power with small resistance fluctuations.

Designed for min thickness requirements, when thickness is limitative but diameter is no limitative.



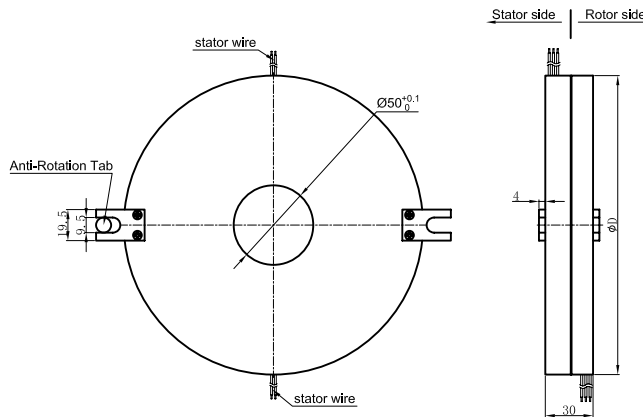
The pictures are for reference only

If there are changes in the appearance and size of the product, the actual product should prevail.

Part# Explanation

BP 250 - P 0610 - S 06 - VC		Product quality level VC-common quality version VD-industrial quality version Default=VC version
BP:Code for pancake slip ring	250:CoBPact thickness with bore size 50 mm	06:6Signal rings(0~5A each ring)
P:Power ring	0610: 6Rings, 0~10A eachring	S: Signal ring

Dimensions



BP250 Series Pancake Slip Ring

Parts#	Signal(5A)	10A	20A	OD(mm)
BP250-S02	2	0	0	140
BP250-P0210	0	2	0	140
BP250-P0210-S02	2	2	0	156
BP250-P0410	0	4	0	156
BP250-S06	6	0	0	172
BP250-P0610	0	6	6	172
BP250-P0620	0	0	0	172
BP250-P0210-S04	4	2	0	172
BP250-S12	12	0	0	220
BP250-P1210	0	12	12	220
BP250-P1220	0	0	0	220
BP250-P0610-S06	6	6	6	220
BP250-P0620-S06	6	0	0	220
BP250-S18	18	0	0	268
BP250-P1810	0	18	0	268
BP250-P0610-S12	12	6	0	268
BP250-P1210-S06	6	12	0	268

Parts#	Signal(5A)	10A	20A	OD(mm)
BP250-P0810-S10	10	8	0	268
BP250-S24	24	0	0	316
BP250-P2410	0	24	0	316
BP250-P0610-S18	18	6	0	316
BP250-P1210-S12	12	12	0	316

Note:1) N channels 10A rings parallel can be used as 1 channel N*10A current. For exaBPle: 2 rings 10A parallel could be used as 1 wires 20A
2) Through bore size,total circuits and current can be customized,please contact sales for more details.

Mechanical Data

Project	Numerical value
Working Life	See product quality level table
Rotating Speed	See product quality level table
Working TeBPerature	-30°C~80°C
Operating Humidity	0~85% RH
Contact Material	See product quality level table
Housing Materia	aluminium alloy
Torque	0.05N.m; +0.03N.m/6rings
Protection Grade	IP51

Electrical Data

Project	Power	Signal
Rated Voltage	0~220VAC/VDC	0~220VAC/VDC
Insulation Resistance	≥1000MΩ/240VDC	≥1000MΩ/240VDC
Lead Wire	AWG18#Teflon	AWG24#Teflon
Lead Length	Standard 300mm (adjustable)	
Dielectric Strength	100VAC@50Hz, 60s	
Electrical Noise	<0.01Ω	

Product Quality Level Table

Products Level Code	Max Rotating Speed	Working Life	Contact Material
VC	60RPM	3 Million Revs	Precious Metal
VD	200RPM	10 Million Revs	Gold-plated

Lead Wires Color Code

Ring	1	2	3	4	5	6	7	8	9	10	11	12
Color	BLK	RED	YEL	GRN	BLU	WHT	BLK	RED	YEL	GRN	BLU	WHT

Note: 6 wires for 1 group color, from 7-12, repeat the same color as 1...6, indicated with number code pipe.

BP270 SERIES PANCAKE SLIP RING

BP270 pancake slip ring has a thickness of 30mm, through bore size is 70mm, all aluminum alloy structure, using precious metal contact material and gold-plated processing. It can transmit staBPe signal and power with small resistance fluctuations.

Designed for min thickness requirements, when thickness is limitative but diameter is no limitative.



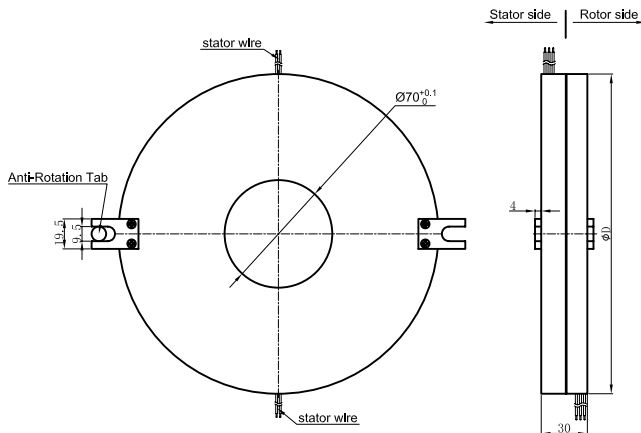
The pictures are for reference only

If there are changes in the appearance and size of the product, the actual product should prevail.

Part# Explanation

BP:Code for pancake slip ring	BP	270	-	P	0610	-	S	06	-	VC	Product quality level VC-common quality version VD-industrial quality version Default=VC version
270:CoBPact thickness with bore size 70 mm		270									
P:Power ring				P							06:6Signal rings(0~5A each ring)
0610: 6Rings, 0~10A eachring					0610						S: Signal ring

Dimensions



BP270 Series Pancake Slip Ring

Parts#	Signal(5A)	10A	20A	OD(mm)
BP270-S02	2	0	0	158
BP270-P0210	0	2	0	158
BP270-P0210-S02	2	2	0	168
BP270-P0410	0	4	0	168
BP270-S06	6	0	0	204
BP270-P0610	0	6	0	204
BP270-P0620	0	0	6	204
BP270-P0210-S04	4	2	0	204
BP270-S12	12	0	0	240
BP270-P1210	0	12	0	240
BP270-P1220	0	0	12	240
BP270-P0610-S06	6	6	0	240
BP270-P0620-S06	6	0	6	280
BP270-S18	18	0	0	280
BP270-P1810	0	18	0	280
BP270-P0610-S12	12	6	0	280
BP270-P1210-S06	6	12	0	280

Parts#	Signal(5A)	10A	20A	OD(mm)
BP270-P0810-S10	10	8	0	280
BP270-S24	24	0	0	320
BP270-P2410	0	24	0	320
BP270-P0610-S18	18	6	0	320
BP270-P1210-S12	12	12	0	320

Note:1) N channels 10A rings parallel can be used as 1 channel N*10A current. For example: 2 rings 10A parallel could be used as 1 wires 20A
 2) Through bore size, total circuits and current can be customized, please contact sales for more details.

Mechanical Data

Project	Numerical value
Working Life	See product quality level taBPe
Rotating Speed	See product quality level taBPe
Working Temperature	-30°C~80°C
Operating Humidity	0~85% RH
Contact Material	See product quality level taBPe
Housing Material	aluminium alloy
Torque	0.05N.m; +0.03N.m/6rings
Protection Grade	IP51

Electrical Data

Project	Power	Signal
Rated Voltage	0~220VAC/VDC	0~220VAC/VDC
Insulation Resistance	≥1000MΩ/240VDC	≥1000MΩ/240VDC
Lead Wire	AWG18#Teflon	AWG24#Teflon
Lead Length	Standard 300mm (adjustaBPe)	
Dielectric Strength	100VAC@50Hz, 60s	
Electrical Noise	<0.01Ω	

Product Quality Level TaBPe

Products Level Code	Max Rotating Speed	Working Life	Contact Material
VC	60RPM	3 Million Revs	Precious Metal
VD	200RPM	10 Million Revs	Gold-plated

Lead Wires Color Code

Ring	1	2	3	4	5	6	7	8	9	10	11	12
Color	BPK	RED	YEL	GRN	BPU	WHT	BPK	RED	YEL	GRN	BPU	WHT

Note: 6 wires for 1 group color, from 7-12, repeat the same color as 1...6, indicated with number code pipe.

BP310 SERIES PANCAKE SLIP RING

BP310 second pancake slip ring, through bore size is 12.7mm, all aluminum alloy structure, using precious metal contact material and gold-plated processing. It can transmit staBPe signal and power with small resistance fluctuations. It's mainly applied to those applications with transverse space limit but with no height space limit.



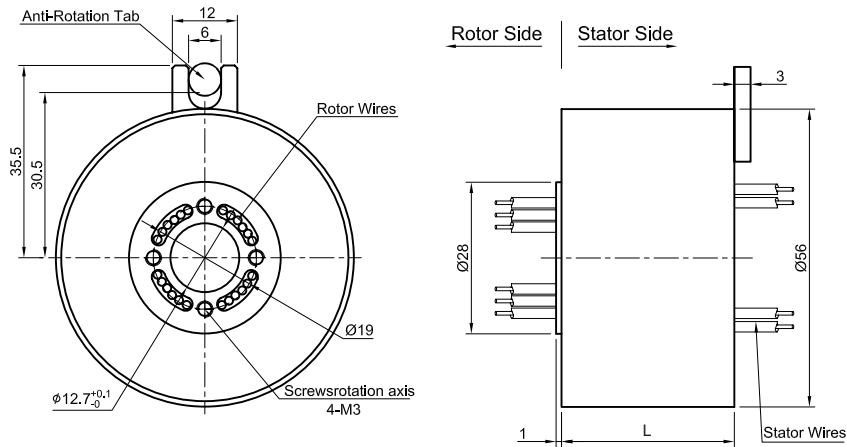
The pictures are for reference only

If there are changes in the appearance and size of the product, the actual product should prevail.

Part# Explanation

BP	310	P	0610	S	06	VC	Product quality level VC-common quality version VD-industrial quality version Default=VC version
BP:Code for pancake slip ring		310:Second pancake slip ring with bore size 12.7mm		P:Power ring		06:6Signal rings(0~5A each ring)	
310:Second pancake slip ring with bore size 12.7mm		P:Power ring		0610: 6Rings, 0~10A eachring		S: Signal ring	

Dimensions



BP310 Series Pancake Slip Ring

Parts#	Signal(5A)	10A	20A	OD(mm)
BP310-S02	2	0	0	15.8
BP310-P0210	0	2	0	15.8
BP310-P0210-S02	2	2	0	21.4
BP310-P0410	0	4	0	21.4
BP310-S06	6	0	0	27
BP310-P0610	0	6	6	27
BP310-P0620	0	0	0	27
BP310-P0210-S04	4	2	0	27
BP310-S12	12	0	0	43.8
BP310-P1210	0	12	12	43.8
BP310-P1220	0	0	0	43.8
BP310-P0610-S06	6	6	6	43.8
BP310-P0620-S06	6	0	0	43.8
BP310-S18	18	0	0	60.6
BP310-P1810	0	18	0	60.6
BP310-P0610-S12	12	6	0	60.6
BP310-P1210-S06	6	12	0	60.6

Parts#	Signal(5A)	10A	20A	OD(mm)
BP310-P0810-S10	10	8	0	60.6
BP310-S24	24	0	0	77.4
BP310-P2410	0	24	0	77.4
BP310-P0610-S18	18	6	0	77.4
BP310-P1210-S12	12	12	0	77.4

Note:1) N channels 10A rings parallel can be used as 1 channel N*10A current. For exaBPle: 2 rings 10A parallel could be used as 1 wires 20A
2) Through bore size,total circuits and current can be customized,please contact sales for more details.

Mechanical Data

Project	Numerical value
Working Life	See product quality level taBPe
Rotating Speed	See product quality level taBPe
Working TeBPerature	-30°C~80°C
Operating Humidity	0~85% RH
Contact Material	See product quality level taBPe
Housing Materia	aluminium alloy
Torque	0.05N.m; +0.03N.m/6rings
Protection Grade	IP51

Electrical Data

Project	Power	Signal
Rated Voltage	0~440VAC/VDC	0~240VAC/VDC
Insulation Resistance	≥500MΩ/500VDC	≥500MΩ/500VDC
Lead Wire	AWG17#Teflon	AWG22#Teflon
Lead Length	Standard 300mm (adjustaBPe)	
Dielectric Strength	500VAC@50Hz, 60s	
Electrical Noise	<0.01Ω	

Product Quality Level TaBPe

Products Level Code	Max Rotating Speed	Working Life	Contact Material
VC	60RPM	3 Million Revs	Precious Metal
VD	200RPM	10 Million Revs	Gold-plated

Lead Wires Color Code

Ring	1	2	3	4	5	6	7	8	9	10	11	12
Color	BPK	RED	YEL	GRN	BPU	WHT	BPK	RED	YEL	GRN	BPU	WHT

Note: 6 wires for 1 group color, from 7-12, repeat the same color as 1...6, indicated with number code pipe.

BP320 SERIES PANCAKE SLIP RING

BP320 second pancake slip ring, through bore size is 25.4mm, all aluminum alloy structure, using precious metal contact material and gold-plated processing. It can transmit staBPe signal and power with small resistance fluctuations. It's mainly applied to those applications with transverse space limit but with no height space limit.



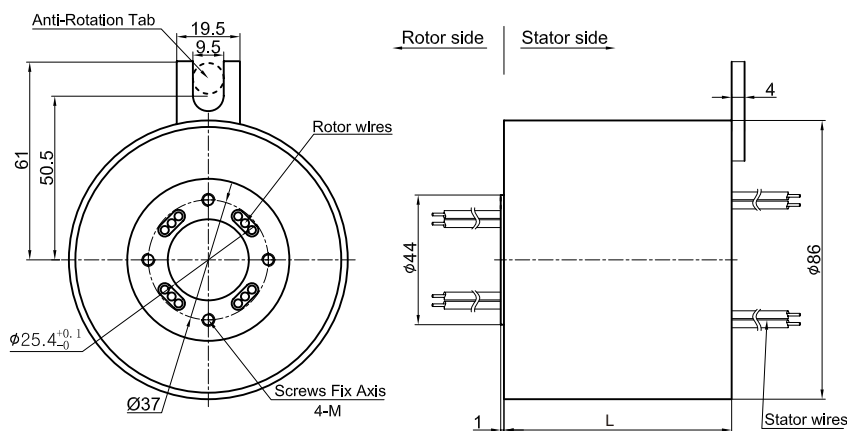
The pictures are for reference only

If there are changes in the appearance and size of the product, the actual product should prevail.

Part# Explanation

BP 320 - P 0610 - S 06 - VC		Product quality level
BP: Code for pancake slip ring	320: Second pancake slip ring with bore size 25.4mm	VC - common quality version
P: Power ring	0610: 6 Rings, 0~10A eachring	VD - industrial quality version
		Default = VC version
		06: 6 Signal rings (0~5A each ring)
		S: Signal ring

Dimensions



BP320 Series Pancake Slip Ring

Parts#	Signal(5A)	10A	20A	OD(mm)
BP320-S02	2	0	0	17.1
BP320-P0210	0	2	0	17.1
BP320-P0210-S02	2	2	0	23.9
BP320-P0410	0	4	0	23.9
BP320-S06	6	0	0	30.7
BP320-P0610	0	6	0	30.7
BP320-P0620	0	0	6	30.7
BP320-P0210-S04	4	2	0	30.7
BP320-S12	12	0	0	51.1
BP320-P1210	0	12	0	51.1
BP320-P1220	0	0	12	51.1
BP320-P0610-S06	6	6	0	51.1
BP320-P0620-S06	6	0	6	51.1
BP320-S18	18	0	0	71.5
BP320-P1810	0	18	0	71.5
BP320-P0610-S12	12	6	0	71.5
BP320-P1210-S06	6	12	0	71.5

Parts#	Signal(5A)	10A	20A	OD(mm)
BP320-P0810-S10	10	8	0	71.5
BP320-S24	24	0	0	91.9
BP320-P2410	0	24	0	91.9
BP320-P0610-S18	18	6	0	91.9
BP320-P1210-S12	12	12	0	91.9

Note:1) N channels 10A rings parallel can be used as 1 channel N*10A current. For example: 2 rings 10A parallel could be used as 1 wires 20A
2) Through bore size, total circuits and current can be customized, please contact sales for more details.

Mechanical Data

Project	Numerical value
Working Life	See product quality level taBPe
Rotating Speed	See product quality level taBPe
Working Temperature	-30°C~80°C
Operating Humidity	0~85% RH
Contact Material	See product quality level taBPe
Housing Material	aluminium alloy
Torque	0.05N.m; +0.03N.m/6rings
Protection Grade	IP51

Electrical Data

Project	Power	Signal
Rated Voltage	0~440VAC/VDC	0~240VAC/VDC
Insulation Resistance	≥500MΩ/500VDC	≥500MΩ/500VDC
Lead Wire	AWG16#Teflon	AWG22#Teflon
Lead Length	Standard 300mm (adjustaBPe)	
Dielectric Strength	500VAC@50Hz, 60s	
Electrical Noise	<0.01Ω	

Product Quality Level TaBPe

Products Level Code	Max Rotating Speed	Working Life	Contact Material
VC	60RPM	3 Million Revs	Precious Metal
VD	200RPM	10 Million Revs	Gold-plated

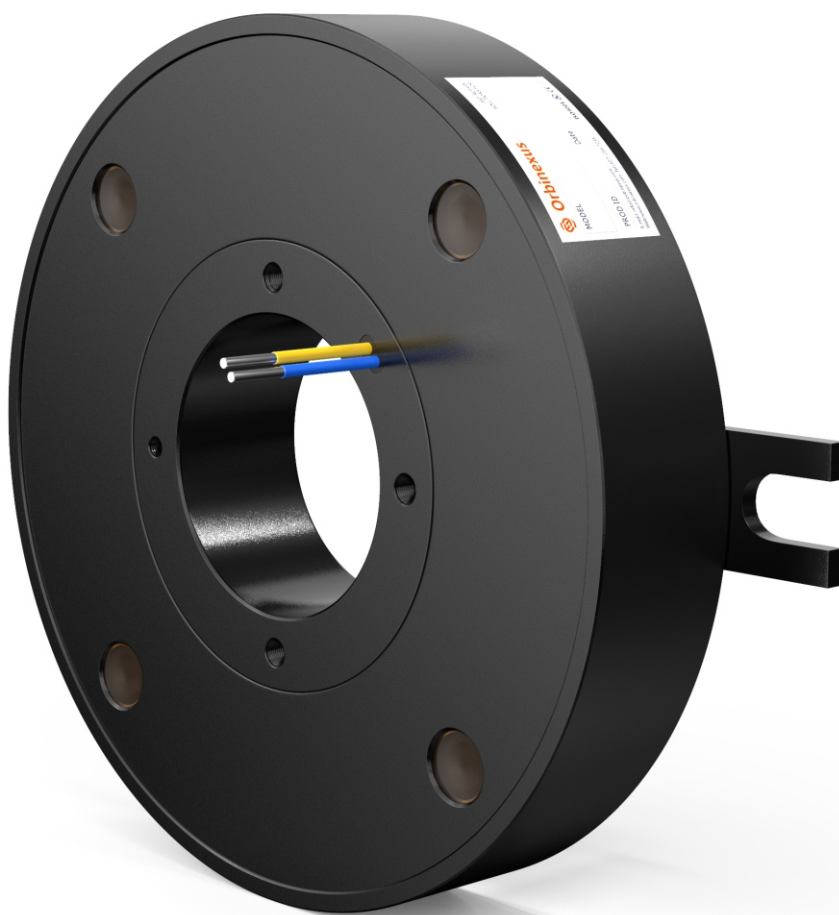
Lead Wires Color Code

Ring	1	2	3	4	5	6	7	8	9	10	11	12
Color	BPK	RED	YEL	GRN	BPU	WHT	BPK	RED	YEL	GRN	BPU	WHT

Note: 6 wires for 1 group color, from 7-12, repeat the same color as 1...6, indicated with number code pipe.

BP340 SERIES PANCAKE SLIP RING

BP340 second pancake slip ring, through bore size is 40mm, all aluminum alloy structure, using precious metal contact material and gold-plated processing. It can transmit staBPe signal and power with small resistance fluctuations. It's mainly applied to those applications with transverse space limit but with no height space limit.



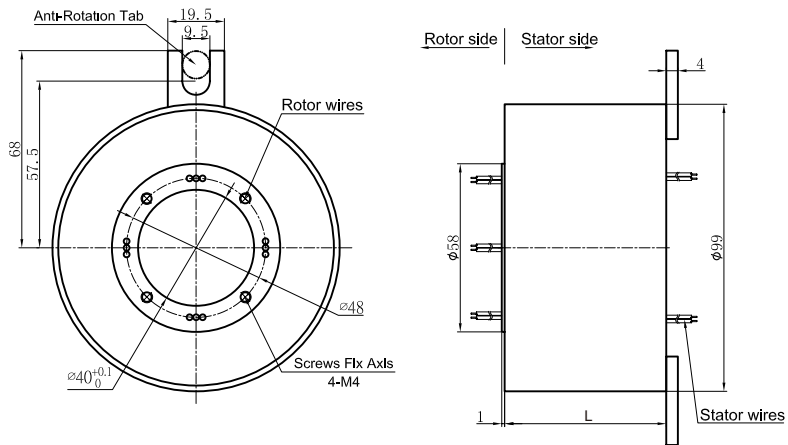
The pictures are for reference only

If there are changes in the appearance and size of the product, the actual product should prevail.

Part# Explanation

BP 340 - P 0610 - S 06 - VC		Product quality level
BP: Code for pancake slip ring		VC - common quality version
340: Second pancake slip ring with bore size 40mm		VD - industrial quality version
P: Power ring		Default = VC version
0610: 6 Rings, 0~10A each ring		06: 6 Signal rings (0~5A each ring)
		S: Signal ring

Dimensions



BP340 Series Pancake Slip Ring

Parts#	Signal(5A)	10A	20A	OD(mm)
BP340-S02	2	0	0	17.1
BP340-P0210	0	2	0	17.1
BP340-P0210-S02	2	2	0	23.9
BP340-P0410	0	4	0	23.9
BP340-S06	6	0	0	30.7
BP340-P0610	0	6	0	30.7
BP340-P0620	0	0	6	30.7
BP340-P0210-S04	4	2	0	30.7
BP340-S12	12	0	0	51.1
BP340-P1210	0	12	0	51.1
BP340-P1220	0	0	12	51.1
BP340-P0610-S06	6	6	0	51.1
BP340-P0620-S06	6	0	6	51.1
BP340-S18	18	0	0	71.5
BP340-P1810	0	18	0	71.5
BP340-P0610-S12	12	6	0	71.5
BP340-P1210-S06	6	12	0	71.5

Parts#	Signal(5A)	10A	20A	OD(mm)
BP340-P0810-S10	10	8	0	71.5
BP340-S24	24	0	0	91.9
BP340-P2410	0	24	0	91.9
BP340-P0610-S18	18	6	0	91.9
BP340-P1210-S12	12	12	0	91.9

Note:1) N channels 10A rings parallel can be used as 1 channel N*10A current. For example: 2 rings 10A parallel could be used as 1 wires 20A
2) Through bore size, total circuits and current can be customized, please contact sales for more details.

Mechanical Data

Project	Numerical value
Working Life	See product quality level taBPe
Rotating Speed	See product quality level taBPe
Working Temperature	-30°C~80°C
Operating Humidity	0~85% RH
Contact Material	See product quality level taBPe
Housing Material	aluminium alloy
Torque	0.05N.m; +0.03N.m/6rings
Protection Grade	IP51

Electrical Data

Project	Power	Signal
Rated Voltage	0~440VAC/VDC	0~240VAC/VDC
Insulation Resistance	≥500MΩ/500VDC	≥500MΩ/500VDC
Lead Wire	AWG16#Teflon	AWG22#Teflon
Lead Length	Standard 300mm (adjustaBPe)	
Dielectric Strength	500VAC@50Hz, 60s	
Electrical Noise	<0.01Ω	

Product Quality Level TaBPe

Products Level Code	Max Rotating Speed	Working Life	Contact Material
VC	60RPM	3 Million Revs	Precious Metal
VD	200RPM	10 Million Revs	Gold-plated

Lead Wires Color Code

Ring	1	2	3	4	5	6	7	8	9	10	11	12
Color	BPK	RED	YEL	GRN	BPU	WHT	BPK	RED	YEL	GRN	BPU	WHT

Note: 6 wires for 1 group color, from 7-12, repeat the same color as 1...6, indicated with number code pipe.

BP350 SERIES PANCAKE SLIP RING

BP350 second pancake slip ring, through bore size is 50mm, all aluminum alloy structure, using precious metal contact material and gold-plated processing. It can transmit stable signal and power with small resistance fluctuations. It's mainly applied to those applications with transverse space limit but with no height space limit.



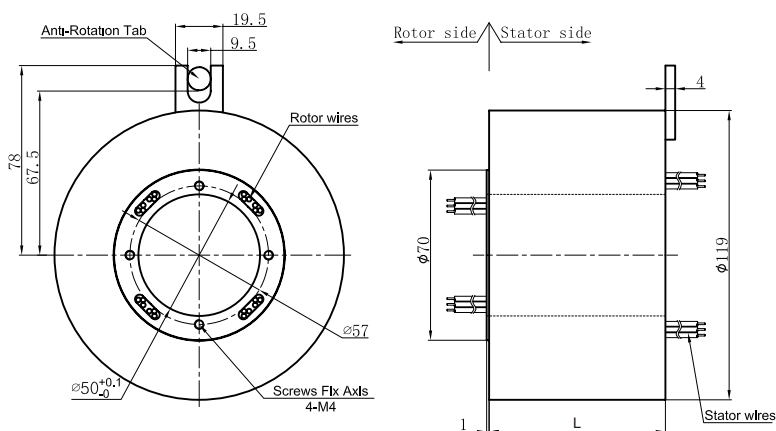
The pictures are for reference only

If there are changes in the appearance and size of the product, the actual product should prevail.

Part# Explanation

BP 350 - P 0610 - S 06 - VC		Product quality level
BP: Code for pancake slip ring		VC - common quality version
350: Second pancake slip ring with bore size 50mm		VD - industrial quality version
P: Power ring		Default = VC version
0610: 6 Rings, 0~10A each ring		06: 6 Signal rings (0~5A each ring)
		S: Signal ring

Dimensions



BP350 Series Pancake Slip Ring

Parts#	Signal(5A)	10A	20A	OD(mm)
BP350-S02	2	0	0	17.1
BP350-P0210	0	2	0	17.1
BP350-P0210-S02	2	2	0	23.9
BP350-P0410	0	4	0	23.9
BP350-S06	6	0	0	30.7
BP350-P0610	0	6	0	30.7
BP350-P0620	0	0	6	30.7
BP350-P0210-S04	4	2	0	30.7
BP350-S12	12	0	0	51.1
BP350-P1210	0	12	0	51.1
BP350-P1220	0	0	12	51.1
BP350-P0610-S06	6	6	0	51.1
BP350-P0620-S06	6	0	6	51.1
BP350-S18	18	0	0	71.5
BP350-P1810	0	18	0	71.5
BP350-P0610-S12	12	6	0	71.5
BP350-P1210-S06	6	12	0	71.5

Parts#	Signal(5A)	10A	20A	OD(mm)
BP350-P0810-S10	10	8	0	71.5
BP350-S24	24	0	0	91.9
BP350-P2410	0	24	0	91.9
BP350-P0610-S18	18	6	0	91.9
BP350-P1210-S12	12	12	0	91.9

Note:1) N channels 10A rings parallel can be used as 1 channel N*10A current. For exaBPlE: 2 rings 10A parallel could be used as 1 wires 20A
2) Through bore size,total circuits and current can be customized,please contact sales for more details.

Mechanical Data

Project	Numerical value
Working Life	See product quality level taBPe
Rotating Speed	See product quality level taBPe
Working TeBPerature	-30°C~80°C
Operating Humidity	0~85% RH
Contact Material	See product quality level taBPe
Housing Materia	aluminium alloy
Torque	0.05N.m; +0.03N.m/6rings
Protection Grade	IP51

Electrical Data

Project	Power	Signal
Rated Voltage	0~440VAC/VDC	0~240VAC/VDC
Insulation Resistance	≥500MΩ/500VDC	≥500MΩ/500VDC
Lead Wire	AWG16#Teflon	AWG22#Teflon
Lead Length	Standard 300mm (adjustaBPe)	
Dielectric Strength	500VAC@50Hz, 60s	
Electrical Noise	<0.01Ω	

Product Quality Level TaBPe

Products Level Code	Max Rotating Speed	Working Life	Contact Material
VC	60RPM	3 Million Revs	Precious Metal
VD	200RPM	10 Million Revs	Gold-plated

Lead Wires Color Code

Ring	1	2	3	4	5	6	7	8	9	10	11	12
Color	BPK	RED	YEL	GRN	BPU	WHT	BPK	RED	YEL	GRN	BPU	WHT

Note: 6 wires for 1 group color, from 7-12, repeat the same color as 1...6, indicated with number code pipe.

BP370 SERIES PANCAKE SLIP RING

BP370 second pancake slip ring, through bore size is 70mm, all aluminum alloy structure, using precious metal contact material and gold-plated processing. It can transmit stable signal and power with small resistance fluctuations. It's mainly applied to those applications with transverse space limit but with no height space limit.



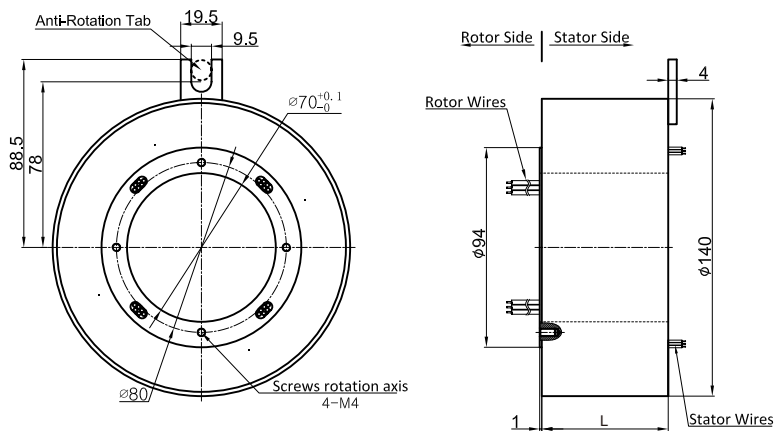
The pictures are for reference only

If there are changes in the appearance and size of the product, the actual product should prevail.

Part# Explanation

BP 370 - P 0610 - S 06 - VC	
BP: Code for pancake slip ring	Product quality level VC-common quality version VD-industrial quality version Default=VC version
370: Second pancake slip ring with bore size 70mm	
P: Power ring	06: 6 Signal rings (0~5A each ring)
0610: 6 Rings, 0~10A each ring	S: Signal ring

Dimensions



BP370 Series Pancake Slip Ring

Parts#	Signal(5A)	10A	20A	OD(mm)
BP370-S02	2	0	0	17.5
BP370-P0210	0	2	0	17.5
BP370-P0210-S02	2	2	0	23.5
BP370-P0410	0	4	0	23.5
BP370-S06	6	0	0	29.5
BP370-P0610	0	6	0	29.5
BP370-P0620	0	0	6	29.5
BP370-P0210-S04	4	2	0	29.5
BP370-S12	12	0	0	47.5
BP370-P1210	0	12	0	47.5
BP370-P1220	0	0	12	47.5
BP370-P0610-S06	6	6	0	47.5
BP370-P0620-S06	6	0	6	47.5
BP370-S18	18	0	0	65.5
BP370-P1810	0	18	0	65.5
BP370-P0610-S12	12	6	0	65.5
BP370-P1210-S06	6	12	0	65.5

Parts#	Signal(5A)	10A	20A	OD(mm)
BP370-P0810-S10	10	8	0	65.5
BP370-S24	24	0	0	83.5
BP370-P2410	0	24	0	83.5
BP370-P0610-S18	18	6	0	83.5
BP370-P1210-S12	12	12	0	83.5

Note:1) N channels 10A rings parallel can be used as 1 channel N*10A current. For exaBPle: 2 rings 10A parallel could be used as 1 wires 20A
2) Through bore size,total circuits and current can be customized,please contact sales for more details.

Mechanical Data

Project	Numerical value
Working Life	See product quality level taBPe
Rotating Speed	See product quality level taBPe
Working TeBPerature	-30°C~80°C
Operating Humidity	0~85% RH
Contact Material	See product quality level taBPe
Housing Materia	aluminium alloy
Torque	0.05N.m; +0.03N.m/6rings
Protection Grade	IP51

Electrical Data

Project	Power	Signal
Rated Voltage	0~440VAC/VDC	0~240VAC/VDC
Insulation Resistance	≥500MΩ/500VDC	≥500MΩ/500VDC
Lead Wire	AWG16#Teflon	AWG22#Teflon
Lead Length	Standard 300mm (adjustaBPe)	
Dielectric Strength	500VAC@50Hz, 60s	
Electrical Noise	<0.01Ω	

Product Quality Level TaBPe

Products Level Code	Max Rotating Speed	Working Life	Contact Material
VC	60RPM	3 Million Revs	Precious Metal
VD	200RPM	10 Million Revs	Gold-plated

Lead Wires Color Code

Ring	1	2	3	4	5	6	7	8	9	10	11	12
Color	BPK	RED	YEL	GRN	BPU	WHT	BPK	RED	YEL	GRN	BPU	WHT

Note: 6 wires for 1 group color, from 7-12, repeat the same color as 1...6, indicated with number code pipe.

BP380 SERIES PANCAKE SLIP RING

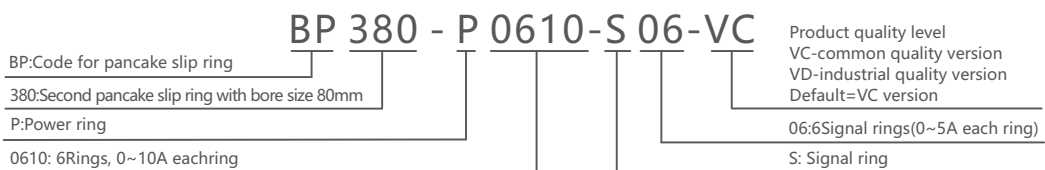
BP380 second pancake slip ring, through bore size is 80mm, all aluminum alloy structure, using precious metal contact material and gold-plated processing. It can transmit stable signal and power with small resistance fluctuations. It's mainly applied to those applications with transverse space limit but with no height space limit.



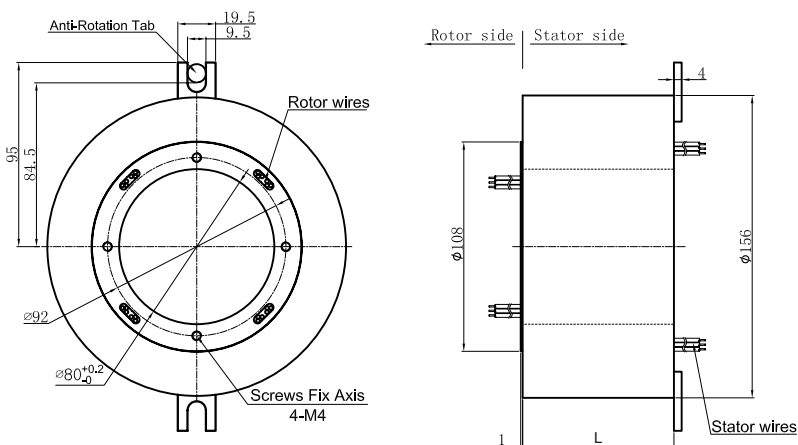
The pictures are for reference only

If there are changes in the appearance and size of the product, the actual product should prevail.

Part# Explanation



Dimensions



Bp380 Series Pancake Slip Ring

Parts#	Signal(5A)	10A	20A	OD(mm)
BP380-S02	2	0	0	18.2
BP380-P0210	0	2	0	18.2
BP380-P0210-S02	2	2	0	24.6
BP380-P0410	0	4	0	24.6
BP380-S06	6	0	0	31
BP380-P0610	0	6	0	31
BP380-P0620	0	0	6	31
BP380-P0210-S04	4	2	0	31
BP380-S12	12	0	0	50.2
BP380-P1210	0	12	0	50.2
BP380-P1220	0	0	12	50.2
BP380-P0610-S06	6	6	0	50.2
BP380-P0620-S06	6	0	6	50.2
BP380-S18	18	0	0	69.4
BP380-P1810	0	18	0	69.4
BP380-P0610-S12	12	6	0	69.4
BP380-P1210-S06	6	12	0	69.4

Parts#	Signal(5A)	10A	20A	OD(mm)
BP380-P0810-S10	10	8	0	69.4
BP380-S24	24	0	0	88.6
BP380-P2410	0	24	0	88.6
BP380-P0610-S18	18	6	0	88.6
BP380-P1210-S12	12	12	0	88.6

Note:1) N channels 10A rings parallel can be used as 1 channel N*10A current. For example: 2 rings 10A parallel could be used as 1 wires 20A
2) Through bore size, total circuits and current can be customized, please contact sales for more details.

Mechanical Data

Project	Numerical value
Working Life	See product quality level taBPe
Rotating Speed	See product quality level taBPe
Working Temperature	-30°C~80°C
Operating Humidity	0~85% RH
Contact Material	See product quality level taBPe
Housing Material	aluminium alloy
Torque	0.05N.m; +0.03N.m/6rings
Protection Grade	IP51

Electrical Data

Project	Power	Signal
Rated Voltage	0~440VAC/VDC	0~240VAC/VDC
Insulation Resistance	≥500MΩ/500VDC	≥500MΩ/500VDC
Lead Wire	AWG16#Teflon	AWG22#Teflon
Lead Length	Standard 300mm (adjustaBPe)	
Dielectric Strength	500VAC@50Hz, 60s	
Electrical Noise	<0.01Ω	

Product Quality Level TaBPe

Products Level Code	Max Rotating Speed	Working Life	Contact Material
VC	60RPM	3 Million Revs	Precious Metal
VD	200RPM	10 Million Revs	Gold-plated

Lead Wires Color Code

Ring	1	2	3	4	5	6	7	8	9	10	11	12
Color	BPK	RED	YEL	GRN	BPU	WHT	BPK	RED	YEL	GRN	BPU	WHT

Note: 6 wires for 1 group color, from 7-12, repeat the same color as 1...6, indicated with number code pipe.

