

BL SERIES

Large Current Slip Rings

The high current conductive slip ring is designed to pass through high-power and high current, with a maximum current of 7500A. It uses contacts with extremely low contact resistance, which generates less heat. The shell of the ultra-high current is designed with aluminum alloy, which has fast heat dissipation and a large number of heat dissipation holes. Before leaving the factory, each unit has temperature rise experiments and high current impact experiments!

Features

- Designed for power/current transmitting application.
- Support 500W,1000W,2000W or larger power.
- Standard, off-the-shelf,in stock,free maintenance.
- 3*60A,3*30A,5*30A, etc.. are available.
- Gold plated ring and Gold alloy brush.
- Solid,through bore,flange mounting are available.
- Rings combination is available.Customized on your request.



BL Series Models

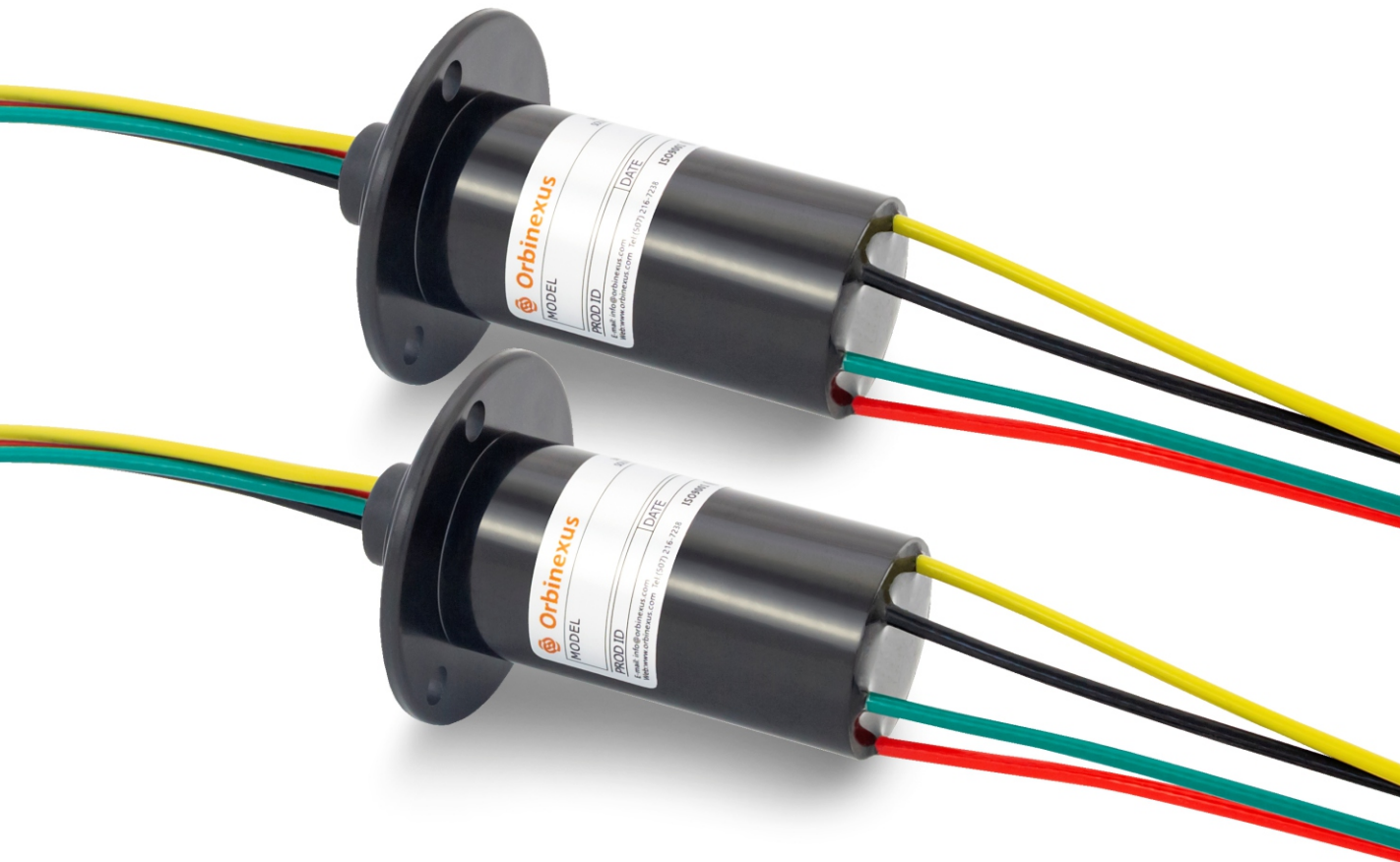
Model#	Bore(mm)	OD(mm)	Circuit (Ring)	Current/ring (A)	Max voltage(VDC/VAC)
BL1000	0	22~29.8	1~18	10A~40A	380
BL2025	25.4	86	1~12	10A~150A	690
BL2050	50	119	1~18	10A~500A	690
BL3086	0	86	1~24	10A~150A	690
BL3119	0	119	1~36	10A~500A	690
BL4032	0	32	1~4	30A	690
BL4045	0	45	6~8	30A	690
BL5045	0	45	1	0~1000A	690
BL5158	0	158	1~4	100A~500A	690
BL-A	0	16、18、21、31.6	1	20A~250A	690

60% of Orbinexus' s sales are customized solutions, please contact sales for more details.

BL1000 SERIES SLIP RINGS

BL1000 Series slip rings are small and compact with OD 22~29.8mm * L 26~78mm, Solid style without through bore and stator flange installation, standard, off-the-shelf. Color-coded lead wires are used on both the stator and rotor for simplified electrical connections.

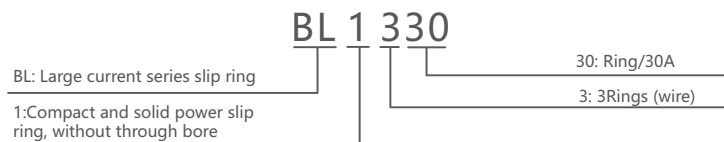
Product images



The pictures are for reference only

If there are changes in the appearance and size of the product, the actual product should prevail.

Part# Explanation



BL1000 Series Part# List

Parts#	Ring	Rated current per ring(A)	OD(mm)	Length(mm)
BL1210	2	10A	22	26
BL1310	3	10A	22	33
BL1410	4	10A	22	43.6
BL1610	6	10A	29.8	66
BL1215	2	15A	22	45
BL1315	3	15A	22	45
BL1415	4	15A	29.8	66
BL1615	6	15A	29.8	66
BL1220	2	20A	22	45
BL1320	3	20A	22	45
BL1420	4	20A	29.8	66
BL1620	6	20A	29.8	66
BL1230	2	30A	22	45
BL1330	3	30A	22	45
BL1430	4	30A	29.8	66
BL1630	6	30A	29.8	66
BL1240	2	40A	29.8	66
BL1340	3	40A	29.8	66
BL1810	8	10A	29.8	78.1
BL1101	10	10A	29.8	78.1
BL1121	12	10A	29.8	78.1
BL1181	18	10A	29.8	105.3
BL1930	9	30A	29.8	105.3
BL13605	36	5A	29.8	105.3

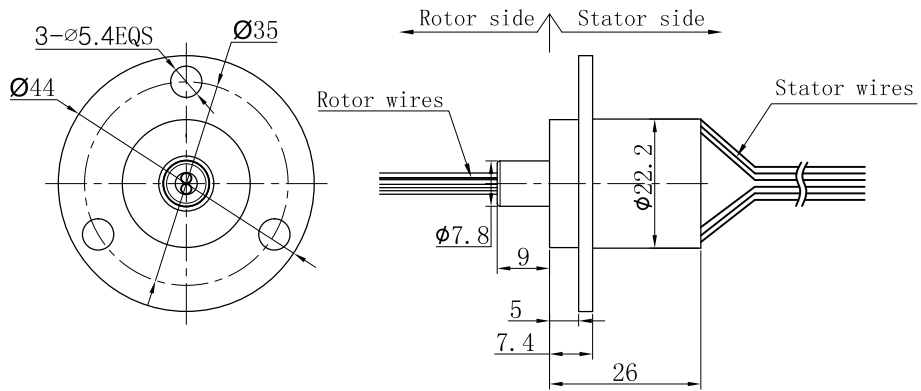
Protection Grade Part# List

Parts#	Protection Grade	Ring	Rated current per ring(A)
BL1211-IP65	IP65	12	10A
BL1330-IP65	IP65	3	30A
BL1630-IP65	IP65	6	30A

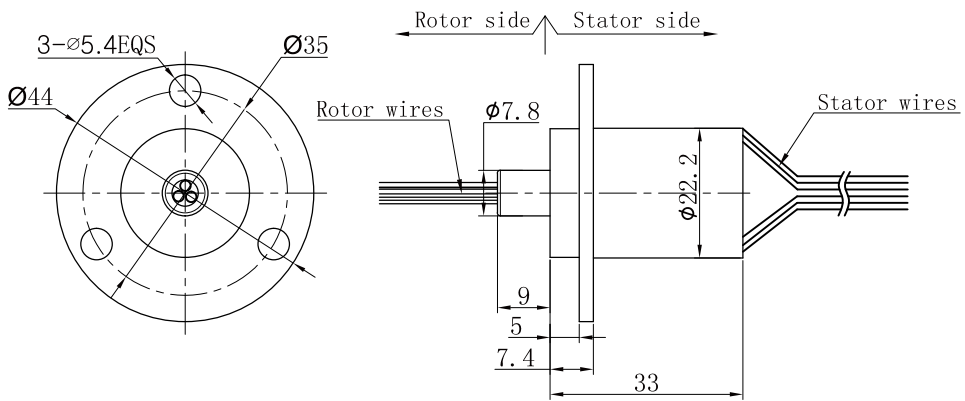
Note: 1) N channels 10A rings parallel can be used as 1 channel N*10A current. For example: 2 rings 10A parallel could be used as 1 wires 20A
 2) Power rings can be used for signal rings on request.

Dimensions

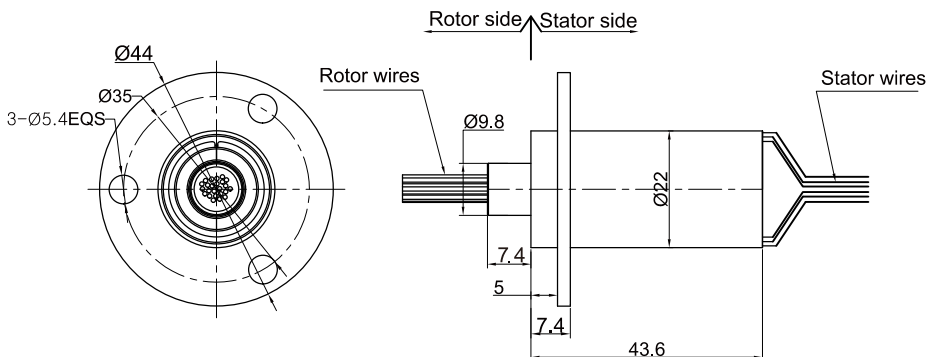
BL1210 Dimensions(2 rings, each ring 10A)



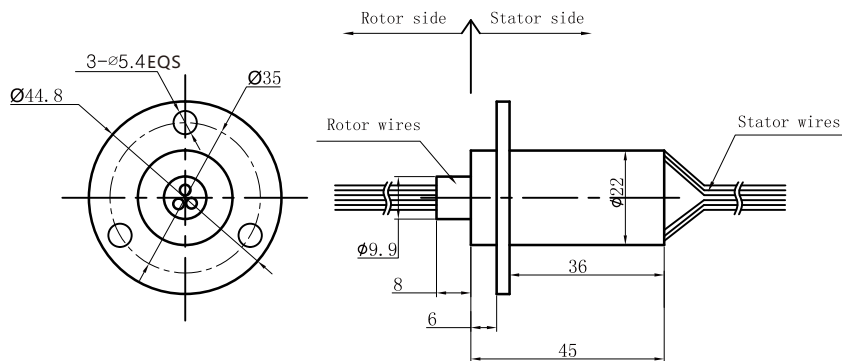
BL1310 Dimensions(3 rings, each ring 10A)



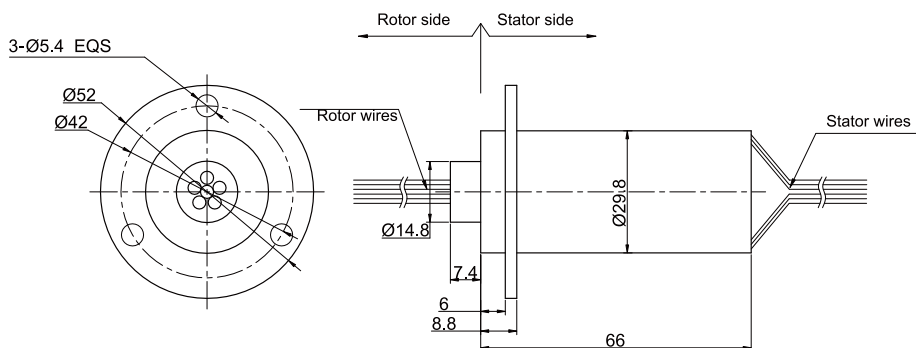
BL1410 Dimensions(4 rings, each ring 10A)



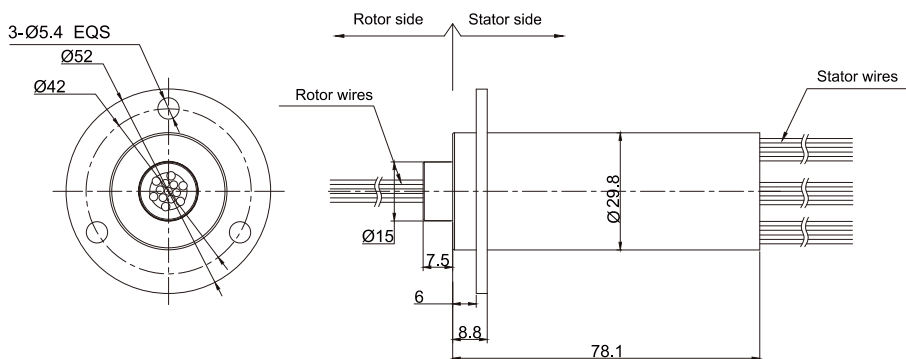
BL1215, BL1315, BL1220, BL1230, BL1320, BL1330 Dimensions



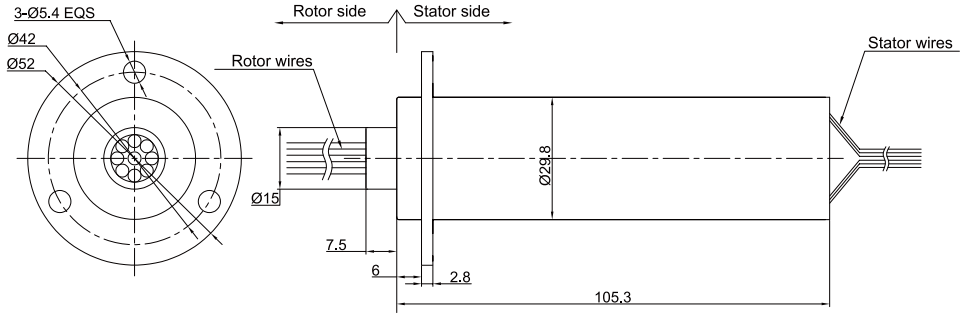
BL1415, BL1615, BL1610, BL1420, BL1430, BL1620, BL1630, BL1240, BL1340 Dimensions



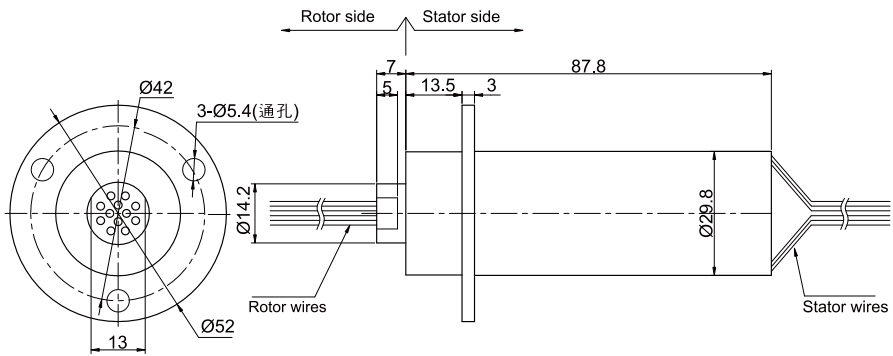
BL1810, BL1101, BL1121 Dimensions



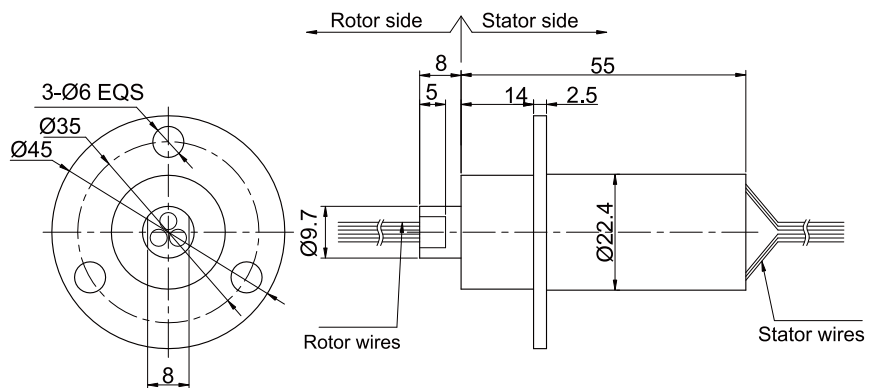
BL 1181, BL1930, BL13605 Dimensions



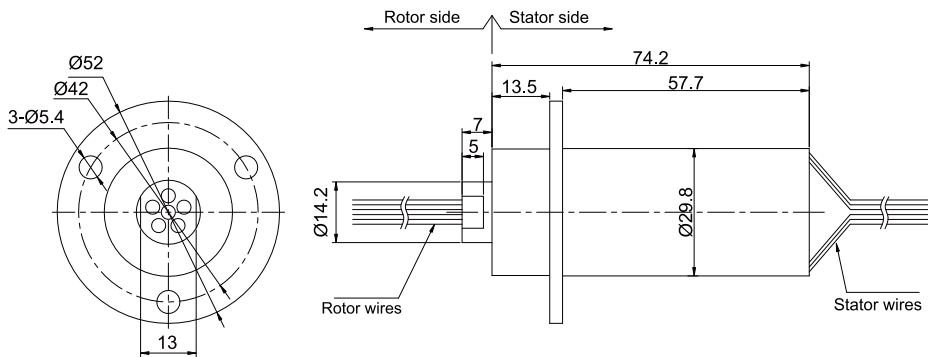
BL1211-IP65 Dimensions



BL1330-IP65 Dimensions



BL1630-IP65 Dimensions



Mechanical Data

Project	Numerical value
Working Life	10 Million revs
Rotating Speed	150RPM
Working temperature	-30°C~80°C
Operating Humidity	0~85% RH
Contact Material	precious metal
Housing Materia	PBT
Torque	0.1N.m; +0.03N.m/6rings
Protection Grade	IP51

Electrical Data

Project	Numerical value
Rated Voltage	0~380VAC/VDC
Insulation Resistance	$\geq 1000M\Omega/500VDC$
Lead Wires	10A=AWG#17; 20A=AWG#14; 30A=AWG#12;
Lead Length	Standard 300mm(adjustable)
Insulating Strength	500VAC@50Hz, 60s
Electrical Noise	<0.01 Ω

Lead Wires Color Code

Ring	1	2	3	4	5	6
Color	BLK	RED	YEL	GRN	BLU	WHT

(6 wires for 1 group color, from 7-12, repeat the same color as 1...6, indicated with number code pipe.)

BL2025 SERIES SLIP RINGS

BL2025 series is large current slip ring with bore diameter 25.4mm. The through bore slip ring can be used for shaft installation or through gas-liquid catheter. This series slip ring can be with rated current 20A/30A/50A to over 100A.

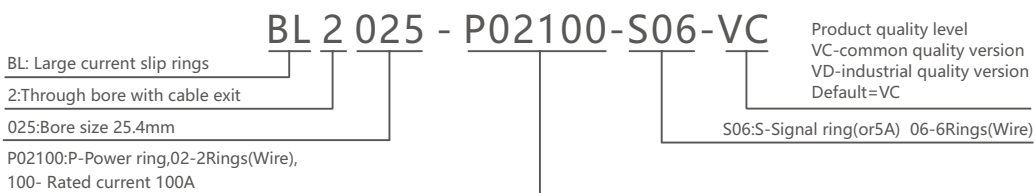
Product images



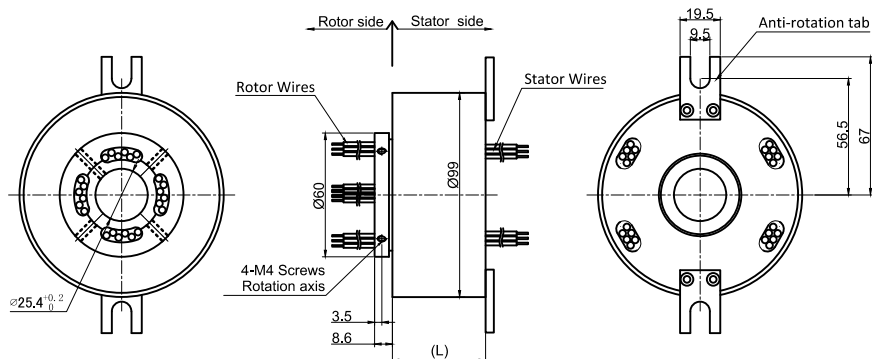
The pictures are for reference only

If there are changes in the appearance and size of the product, the actual product should prevail.

Part# Explanation



Dimensions



BL2025 Series Part# List

Parts#	50A	100A	150A	Signal ring(Thermocouple)	Length(mm)
BL2025-P0160	1	0	0	0	45.2
BL2025-P01100	0	1	0	0	45.2
BL2025-P01150	0	0	1	0	65.6
BL2025-P0260	2	0	0	0	65.6
BL2025-P02100	0	2	0	0	65.6
BL2025-P02150	0	0	2	0	86
BL2025-P0360	3	0	0	0	65.6
BL2025-P03100	0	3	0	0	86
BL2025-P03150	0	0	3	0	126.8
BL2025-P0460	4	0	0	0	86
BL2025-P04100	0	4	0	0	106.4
BL2025-P04150	0	0	4	0	150.2
BL2025-P0660	6	0	0	0	106.4
BL2025-P0160-S06	1	0	0	6	65.6
BL2025-P01100-S06	0	1	0	6	65.6
BL2025-P01150-S06	0	0	1	6	86
BL2025-P0260-S06	2	0	0	6	86
BL2025-P02100-S06	0	2	0	6	86

BL2025 Series Part# List

Parts#	50A	100A	150A	Signal ring(Thermocouple)	Length(mm)
BL2025-P02150-S06	0	0	2	6	106.4
BL2025-P0360-S06	0	0	0	6	86
BL2025-P03100-S06	0	3	0	6	106.4
BL2025-P03150-S06	0	0	3	6	150.2
BL2025-P0460-S06	4	0	0	6	106.4
BL2025-P04100-S06	0	4	0	6	126.8
BL2025-P0860	8	0	0	0	150.2
BL2025-P0660-S06	6	0	0	6	126.8

Note: 1. N channels 60A rings parallel can be used as 1 channel N * 60A current. For example: 2 rings 60A parallel could be used as 1 wires 120A

2. Optional for adding signal wire, thermocouple signal wire and high temperature resistance, it can be customized on customer's request.
Please contact customer service for more information.

Product Quality Level Table

Products Level Code	Max Rotating Speed	Working Life	Contact Material
VC	100RPM	10 Million Revs	Precious Metal
VD	200RPM	30 Million Revs	Gold-plated

Mechanical Data

Project	Numerical value
Working Life	See Product Quality Level Table
Rotating Speed	See Product Quality Level Table
Working temperature	-30°C~80°C
Operating Humidity	0~85% RH
Contact Material	See Product Quality Level Table
Housing Materia	aluminium alloy / PBT
Torque	0.1N.m; +0.03N.m/6rings
Protection Grade	IP51

Electrical Data

Project	Numerical value	Signal
Rated Voltage	0~690VAC/VDC	0~240VAC/VDC
Insulation Resistance	≥500MΩ/1000VDC	≥500MΩ/500VDC
Lead Wires	AWG12#/AWG8# /AWG12#parallel/AWG8#parallel	AWG22#Teflon / Type K Thermocouple
Lead Length	Standard 300mm	
Dielectric Strength	500VAC@50Hz, 60s	
Electrical Noise	<0.01Ω	

Options for custom slip ring

Note: Below special demands can be customized According , the delivery date will be extended 3 to15 days; also the cost will be increased 30%to 50% . Most of our basic parts are standard and modular which can save the cost and lead time.

1. Cable exit way and cable length can be customized for both rotor and stator.
2. Because of the structure limitation , length / height / OD can be customized on your request.
3. Support current or signal up to 200 ring.
4. Aviation plug , terminal and heat-shrink tube are optional.
5. Hybeid Sslip ring for Yaskawa / Panasonic / Siemens servo control signal , power line and encoder line.
6. Support mixed high speed data transmission (including Ethernet USB , RS232 , RS485 , Profibus , Canbus , CANOPEN , Devicenet , CC-LINProfinet Ethercat . et)
7. Can combine temperature control signal with thermocouple signal.
9. Special environment can be customized , such as quakeproof , high temperature , etc.
9. Hybrid Pneumatic / hydraulic and electric slip ring can be mixed.
10. Optical fiber connector , optical fiber type and fiber pigtail length can be customized.
11. Optic fiber channels can be customized.
12. Optic fiber wavelength can be customized.
13. Maximum current can up to 5000 amperes.
14. Military grade.
15. Optional for underwater IP65 , Ip68.
16. Optional for stainless steel housing.

Technical support : Info@orbinexus.com

BL2050 SERIES SLIP RINGS

BL2050 series is large current slip ring with bore diameter 50mm. The through bore slip ring can be used for shaft installation or through gas-liquid catheter. This series slip ring can be with rated current 20A/30A/50A to over 100A.

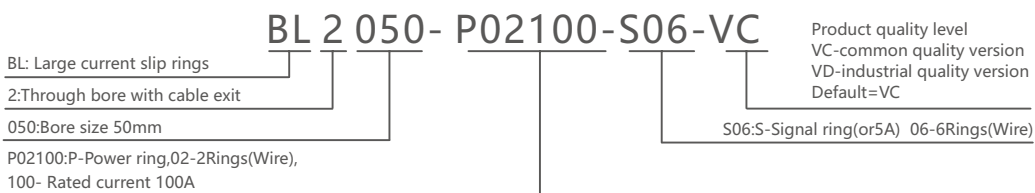
Product images



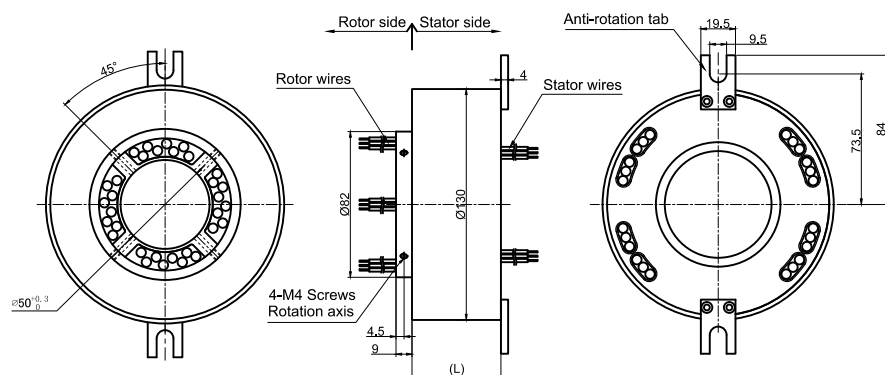
The pictures are for reference only

If there are changes in the appearance and size of the product, the actual product should prevail.

Part# Explanation



Dimensions



BL2050 Series Part# List

Parts#	50A	100A	150A	200A	300A	500A	Signal ring (Thermocouple)	Length(mm)
BL2050-P0160	1	0	0	0	0	0	0	59.6
BL2050-P01100	0	1	0	0	0	0	0	59.6
BL2050-P01150	0	0	1	0	0	0	0	82.4
BL2050-P01200	0	0	0	1	0	0	0	82.4
BL2050-P01300	0	0	0	0	1	0	0	105.2
BL2050-P01500	0	0	0	0	0	1	0	155.8
BL2050-P0260	2	0	0	0	0	0	0	82.4
BL2050-P02100	0	2	0	0	0	0	0	82.4
BL2050-P02150	0	0	2	0	0	0	0	105.2
BL2050-P02200	0	0	0	2	0	0	0	128
BL2050-P02300	0	0	0	0	2	0	0	178.6
BL2050-P02500	0	0	0	0	0	2	0	274.8
BL2050-P0360	3	0	0	0	0	0	0	82.4
BL2050-P03100	0	3	0	0	0	0	0	105.2
BL2050-P03150	0	0	3	0	0	0	0	155.8
BL2050-P03200	0	0	0	3	0	0	0	178.6
BL2050-P03300	0	0	0	0	3	0	0	274.8

BL2050 Series Part# List

Parts#	50A	100A	150A	200A	300A	500A	Signal ring (Thermocouple)	Length(mm)
BL2050-P03500	0	0	0	0	0	3	0	414.6
BL2050-P0460	4	0	0	0	0	0	0	105.2
BL2050-P04100	0	4	0	0	0	0	0	128
BL2050-P04150	0	0	4	0	0	0	0	178.6
BL2050-P04200	0	0	0	4	0	0	0	224.2
BL2050-P04300	0	0	0	0	4	0	0	320.4
BL2050-P0660	6	0	0	0	0	0	0	128
BL2050-P0160-S06	1	0	0	0	0	0	6	82.4
BL2050-P01100-S06	0	1	0	0	0	0	6	82.4
BL2050-P01150-S06	0	0	1	0	0	0	6	105.2
BL2050-P01200-S06	0	0	0	1	0	0	6	105.2
BL2050-P01300-S06	0	0	0	0	1	0	6	128
BL2050-P01500-S06	0	0	0	0	0	1	6	178.6
BL2050-P0260-S06	2	0	0	0	0	0	6	105.2
BL2050-P02100-S06	0	2	0	0	0	0	6	105.2
BL2050-P02150-S06	0	0	2	0	0	0	6	128
BL2050-P02200S-06	0	0	0	2	0	0	6	155.8
BL2050-P02300-S06	0	0	0	0	2	0	6	224.2
BL2050-P02500-S06	0	0	0	0	0	2	6	320.4
BL2050-P0360-S06	3	0	0	0	0	0	6	105.2
BL2050-P03100-S06	0	3	0	0	0	0	6	128
BL2050-P03150-S06	0	0	3	0	0	0	6	178.6
BL2050-P03200-S06	0	0	0	3	0	0	6	224.2
BL2050-P03300-S06	0	0	0	0	3	0	6	274.8
BL2050-P03500-S06	0	0	0	0	0	3	6	414.6
BL2050-P0460-S06	4	0	0	0	0	0	6	128
BL2050-P04100-S06	0	4	0	0	0	0	6	155.8
BL2050-P04150-S06	0	0	4	0	0	0	6	224.2
BL2050-P04200-S06	0	0	0	4	0	0	6	274.8
BL2050-P04300-S06	0	0	0	0	4	0	6	369
BL2050-P0660-S06	6	0	0	0	0	0	6	155.8
BL2050-P06100	0	6	0	0	0	0	0	178.6
BL2050-P06150	0	0	6	0	0	0	0	274.8
BL2050-P06200	0	0	0	6	0	0	0	320.4
BL2050-P06100-S06	0	6	0	0	0	0	6	224.2
BL2050-P06150-S06	0	0	6	0	0	0	6	274.8
BL2050-P06200-S06	0	0	0	6	0	0	6	369

Note: 1. N channels 60A rings parallel can be used as 1 channel N * 60A current. For example: 2 rings 60A parallel could be used as 1 wires 120A
 2. Optional for adding signal wire, thermocouple signal wire and high temperature resistance, it can be customized on customer's request.
 Please contact customer service for more information.

Product Quality Level Table

Products Level Code	Max Rotating Speed	Working Life	Contact Material
VC	100RPM	10 Million Revs	Precious Metal
VD	200RPM	30 Million Revs	Gold-plated

Mechanical Data

Project	Numerical value
Working Life	See Product Quality Level Table
Rotating Speed	See Product Quality Level Table
Working temperature	-30°C~80°C
Operating Humidity	0~85% RH
Contact Material	See Product Quality Level Table
Housing Materia	aluminium alloy / PBT
Torque	0.1N.m; +0.03N.m/6rings
Protection Grade	IP51

Electrical Data

Project	Numerical value	Signal
Rated Voltage	0~690VAC/VDC	0~240VAC/VDC
Insulation Resistance	≥500MΩ/1000VDC	≥500MΩ/500VDC
Lead Wires	AWG12#/AWG8# /AWG12#parallel/AWG8parallel	AWG22#Teflon / Type K Thermocouple
Lead Length	Standard 300mm	
Dielectric Strength	500VAC@50Hz, 60s	
Electrical Noise	<0.01Ω	

Options for custom slip ring

Note: Below special demands can be customized According , the delivery date will be extended 3 to15 days; also the cost will be increased 30%to 50% . Most of our basic parts are standard and modular which can save the cost and lead time.

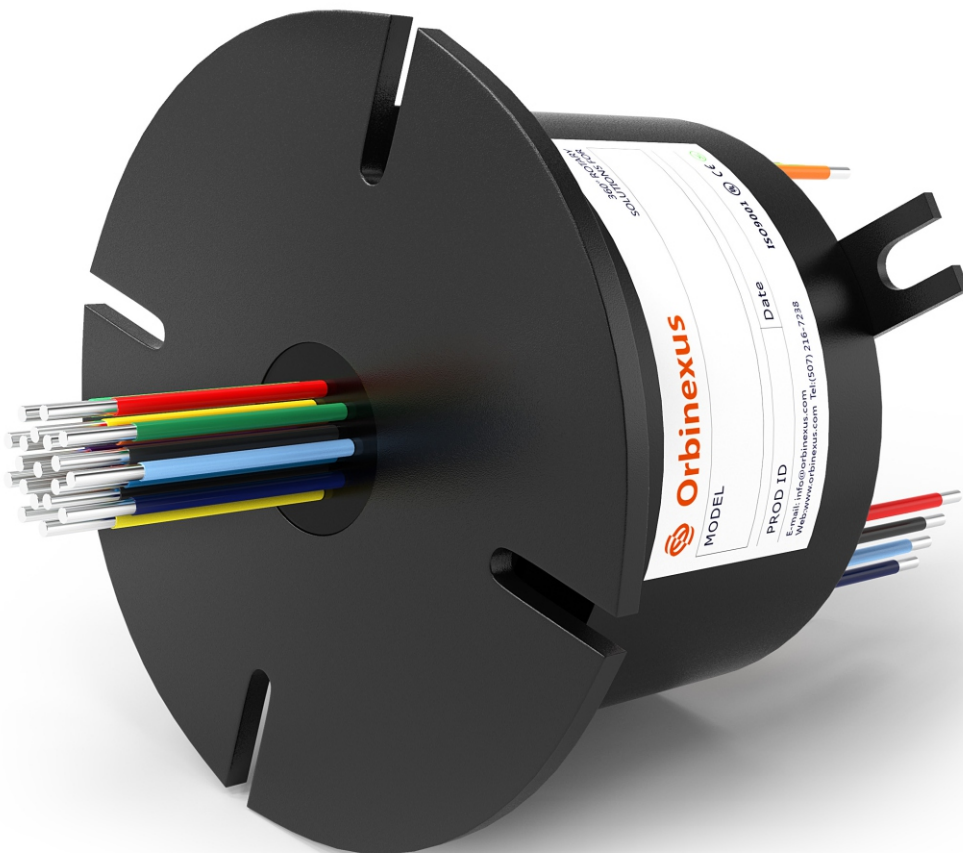
1. Cable exit way and cable length can be customized for both rotor and stator.
2. Because of the structure limitation, length/height/OD can be customized on your request.
3. Support current or signal up to 200 rings.
4. Aviation plug, terminal and heat-shrink tube are optional.
5. Hybrid slip ring for Yaskawa/Panasonic/Siemens servo control signal, power line and encoder line.
6. Support mixed high speed data transmission (including Ethernet, USB, RS232, RS485, Profibus, CanBUS, CANOPEN, DeviceNET, CC-LINK, ProfiNET, EtherCAT, etc.)
7. Can combine temperature control signal with thermocouple signal.
8. Special environment can be customized, such as quakeproof, high temperature, etc.
9. Hybrid Pneumatic/hydraulic and electric slip ring can be mixed.
10. High temperature can up to 500 degrees.
11. High pressure can up to 110KV
12. Rotating speed can up to 10000RPM
13. Maximum current can up to 5000 amperes.
14. Military grade
15. Optional for underwater IP65, IP68.
16. Optional for stainless steel housing

Technical support : Info@orbinexus.com

BL3086 SERIES SLIP RINGS

BL3086 series is large current slip ring with OD (outer diameter) 86mm and rotor flange installation, Solid style without through bore, This series slip ring can be with rated current 20A/30A/50A to over 100A.

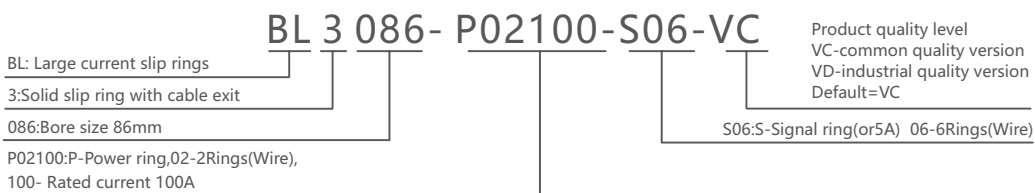
Product images



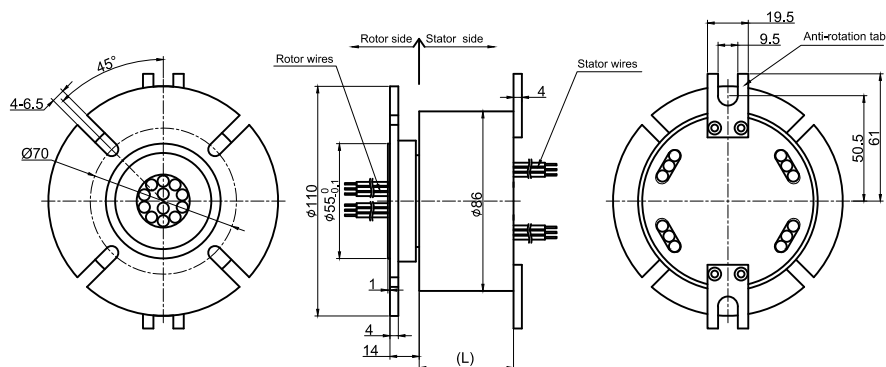
The pictures are for reference only

If there are changes in the appearance and size of the product, the actual product should prevail.

Part# Explanation



Dimensions



BL3086 Series Part# List

Parts#	50A	100A	150A	Signal ring(Thermocouple)	Length(mm)
BL3086-P0160	1	0	0	0	55.6
BL3086-P01100	0	1	0	0	55.6
BL3086-P01150	0	0	1	0	78.4
BL3086-P0260	2	0	0	0	78.4
BL3086-P02100	0	2	0	0	78.4
BL3086-P02150	0	0	2	0	101.2
BL3086-P0360	3	0	0	0	78.4
BL3086-P03100	0	3	0	0	101.2
BL3086-P03150	0	0	3	0	151.8
BL3086-P0460	4	0	0	0	101.2
BL3086-P04100	0	4	0	0	124
BL3086-P04150	0	0	4	0	174.6
BL3086-P0660	6	0	0	0	124
BL3086-P0160-S06	1	0	0	6	78.4
BL3086-P01100-S06	0	1	0	6	78.4
BL3086-P01150-S06	0	0	1	6	101.2
BL3086-P0260-S06	2	0	0	6	101.2

BL3086 Series Part# List

Parts#	50A	100A	150A	Signal ring(Thermocouple)	Length(mm)
BL3086-P02100-S06	0	2	0	6	101.2
BL3086-P02150-S06	0	0	2	6	124
BL3086-P0360-S06	3	0	0	6	101.2
BL3086-P03100-S06	0	3	0	6	124
BL3086-P03150-S06	0	0	3	6	174.6
BL3086-P0460-S06	4	0	0	6	124
BL3086-P04100-S06	0	4	0	6	151.8
BL3086-P04150-S06	0	0	4	6	220.2
BL3086-P0660-S06	6	0	0	6	151.8

Note: 1. N channels 60A rings parallel can be used as 1 channel N * 60A current. For example: 2 rings 60A parallel could be used as 1 wires 120A
 2. Optional for adding signal wire, thermocouple signal wire and high temperature resistance, it can be customized on customer's request.
 Please contact customer service for more information.

Product Quality Level Table

Products Level Code	Max Rotating Speed	Working Life	Contact Material
VC	100RPM	10 Million Revs	Precious Metal
VD	200RPM	30 Million Revs	Gold-plated

Mechanical Data

Project	Numerical value
Working Life	See Product Quality Level Table
Rotating Speed	See Product Quality Level Table
Working temperature	-30°C~80°C
Operating Humidity	0~85% RH
Contact Material	See Product Quality Level Table
Housing Materia	aluminium alloy / PBT
Torque	0.1N.m; +0.03N.m/6rings
Protection Grade	IP51

Electrical Data

Project	Numerical value	Signal
Rated Voltage	0~690VAC/VDC	0~240VAC/VDC
Insulation Resistance	≥500MΩ/1000VDC	≥500MΩ/500VDC
Lead Wires	AWG12#/AWG8# /AWG12#parallel/AWG8parallel	AWG22#Teflon / Type K Thermocouple
Lead Length	Standard 300mm	
Dielectric Strength	500VAC@50Hz, 60s	
Electrical Noise	<0.01Ω	

Options for custom slip ring

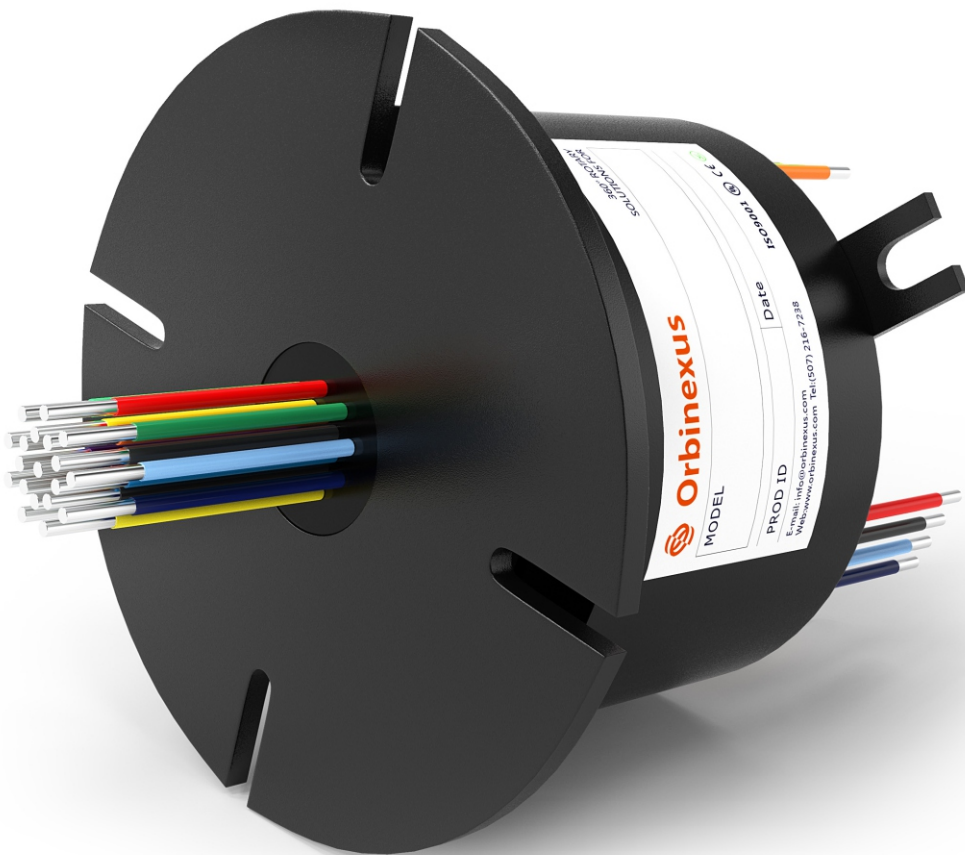
Note: Below special demands can be customized According , the delivery date will be extended 3 to15 days; also the cost will be increased 30%to 50% . Most of our basic parts are standard and modular which can save the cost and lead time.

1. Cable exit way and cable length can be customized for both rotor and stator.
 2. Because of the structure limitation, length/height/OD can be customized on your request.
 3. Support current or signal up to 200 rings.
 4. Aviation plug, terminal and heat-shrink tube are optional.
 5. Hybrid slip ring for Yaskawa/Panasonic/Siemens servo control signal, power line and encoder line.
 6. Support mixed high speed data transmission (including Ethernet, USB, RS232, RS485, Profibus, CanBUS, CANOPEN, DeviceNET, CC-LINK, ProfiNET, EtherCAT, etc.)
 7. Can combine temperature control signal with thermocouple signal.
 8. Special environment can be customized, such as quakeproof, high temperature, etc.
 9. Hybrid Pneumatic/hydraulic and electric slip ring can be mixed.
 10. High temperature can up to 500 degrees.
 11. High pressure can up to 110KV
 12. Rotating speed can up to 10000RPM
 13. Maximum current can up to 5000 amperes.
 14. Military grade
 15. Optional for underwater IP65, IP68.
 16. Optional for stainless steel housing
- Technical support : Info@orbinexus.com

BL3119 SERIES SLIP RINGS

BL3119 series is large current slip ring with OD (outer diameter) 119mm and rotor flange installation, Solid style without through bore, This series slip ring can be with rated current 20A/30A/50A to over 100A.

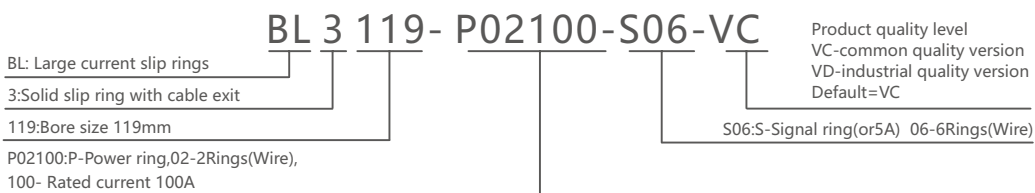
Product images



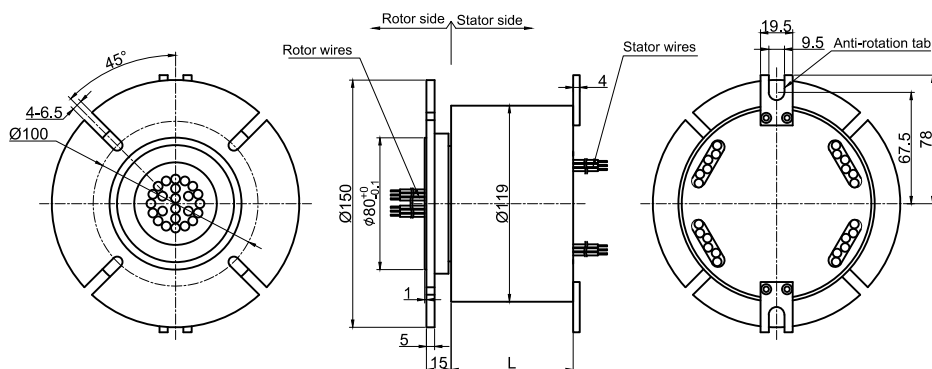
The pictures are for reference only

If there are changes in the appearance and size of the product, the actual product should prevail.

Part# Explanation



Dimensions



BL3119 Series Part# List

Parts#	50A	100A	150A	200A	300A	500A	Signal ring (Thermocouple)	Length(mm)
BL3119-P0160	1	0	0	0	0	0	0	45.2
BL3119-P01100	0	1	0	0	0	0	0	45.2
BL3119-P01150	0	0	1	0	0	0	0	65.6
BL3119-P01200	0	0	0	1	0	0	0	65.6
BL3119-P01300	0	0	0	0	1	0	0	86
BL3119-P01500	0	0	0	0	0	1	0	126.8
BL3119-P0260	2	0	0	0	0	0	0	65.6
BL3119-P02100	0	2	0	0	0	0	0	65.6
BL3119-P02150	0	0	2	0	0	0	0	86
BL3119-P02200	0	0	0	2	0	0	0	106.4
BL3119-P02300	0	0	0	0	2	0	0	150.2
BL3119-P02500	0	0	0	0	0	2	0	270.8
BL3119-P0360	3	0	0	0	0	0	0	65.6
BL3119-P03100	0	3	0	0	0	0	0	86
BL3119-P03150	0	0	3	0	0	0	0	126.8
BL3119-P03200	0	0	0	3	0	0	0	150.2
BL3119-P03300	0	0	0	0	3	0	0	270.8

BL3119 Series Part# List

Parts#	50A	100A	150A	200A	300A	500A	Signal ring (Thermocouple)	Length(mm)
BL3119-P03500	0	0	0	0	0	3	0	410.6
BL3119-P0460	4	0	0	0	0	0	0	86
BL3119-P04100	0	4	0	0	0	0	0	106.4
BL3119-P04150	0	0	4	0	0	0	0	150.2
BL3119-P04200	0	4	0	4	0	0	0	193.2
BL3119-P04300	0	0	0	0	4	0	0	316.4
BL3119-P0660	6	0	0	0	0	0	0	106.4
BL3119-P06100	0	6	0	0	0	0	0	150.2
BL3119-P06150	0	0	6	0	0	0	0	270.8
BL3119-P06200	0	0	0	6	0	0	0	316.4
BL3119-P0160-S06	1	0	0	0	0	0	6	65.6
BL3119-P01100-S06	0	1	0	0	0	0	6	65.6
BL3119-P01150-S06	0	0	1	0	0	0	6	86
BL3119-P01200-S06	1	0	0	1	0	0	6	86
BL3119-P01300-S06	0	1	0	0	1	0	6	126.8
BL3119-P01500-S06	0	0	1	0	0	1	6	150.2
BL3119-P0260-S06	2	0	0	0	0	0	6	86
BL3119-P02100-S06	0	2	0	0	0	0	6	86
BL3119-P02150-S06	0	0	2	0	0	0	6	106.4
BL3119-P02200-S06	0	0	0	2	0	0	6	126.8
BL3119-P02300-S06	0	0	0	0	2	0	6	170.6
BL3119-P02500-S06	0	0	0	0	0	2	6	316.4
BL3119-P0360-S06	3	0	0	0	0	0	6	86
BL3119-P03100-S06	0	3	0	0	0	0	6	106.4
BL3119-P03150-S06	0	0	3	0	0	0	6	150.2
BL3119-P03200-S06	0	0	0	3	0	0	6	170.6
BL3119-P03300-S06	0	0	0	0	3	0	6	270.8
BL3119-P03500-S06	0	0	0	0	0	3	6	410.6
BL3119-P0460-S06	4	0	0	0	0	0	6	106.4
BL3119-P04100-S06	0	4	0	0	0	0	6	126.8
BL3119-P04150-S06	0	0	4	0	0	0	6	193.2
BL3119-P04200-S06	0	4	0	4	0	0	6	270.8
BL3119-P04300-S06	0	0	0	0	4	0	6	365
BL3119-P0660-S06	6	0	0	0	0	0	6	126.8
BL3119-P06100-S06	0	6	0	0	0	0	6	170.6
BL3119-P06150-S06	0	0	6	0	0	0	6	270.8
BL3119-P06200-S06	0	0	0	6	0	0	6	365

Note: 1. N channels 60A rings parallel can be used as 1 channel N * 60A current. For example: 2 rings 60A parallel could be used as 1 wires 120A
2. Optional for adding signal wire, thermocouple signal wire and high temperature resistance, it can be customized on customer's request.
Please contact customer service for more information.

Product Quality Level Table

Products Level Code	Max Rotating Speed	Working Life	Contact Material
VC	100RPM	10 Million Revs	Precious Metal
VD	200RPM	30 Million Revs	Gold-plated

Mechanical Data

Project	Numerical value
Working Life	See Product Quality Level Table
Rotating Speed	See Product Quality Level Table
Working temperature	-30°C~80°C
Operating Humidity	0~85% RH
Contact Material	See Product Quality Level Table
Housing Materia	aluminium alloy / PBT
Torque	0.1N.m; +0.03N.m/6rings
Protection Grade	IP51

Electrical Data

Project	Numerical value	Signal
Rated Voltage	0~690VAC/VDC	0~240VAC/VDC
Insulation Resistance	≥500MΩ/1000VDC	≥500MΩ/500VDC
Lead Wires	AWG12#/AWG8# /AWG12#parallel/AWG8parallel	AWG22#Teflon / Type K Thermocouple
Lead Length	Standard 300mm(Adjustable upon request)	
Dielectric Strength	500VAC@50Hz, 60s	
Electrical Noise	<0.01Ω	

Options for custom slip ring

Note: Below special demands can be customized According , the delivery date will be extended 3 to15 days; also the cost will be increased 30%to 50% . Most of our basic parts are standard and modular which can save the cost and lead time.

1. Cable exit way and cable length can be customized for both rotor and stator.
 2. Because of the structure limitation, length/height/OD can be customized on your request.
 3. Support current or signal up to 200 rings.
 4. Aviation plug, terminal and heat-shrink tube are optional.
 5. Hybrid slip ring for Yaskawa/Panasonic/Siemens servo control signal, power line and encoder line.
 6. Support mixed high speed data transmission (including Ethernet, USB, RS232, RS485, Profibus, CanBUS, CANOPEN, DeviceNET, CC-LINK, ProfiNET, EtherCAT, etc.)
 7. Can combine temperature control signal with thermocouple signal.
 8. Special environment can be customized, such as quakeproof, high temperature, etc.
 9. Hybrid Pneumatic/hydraulic and electric slip ring can be mixed.
 10. High temperature can up to 500 degrees.
 11. High pressure can up to 110KV
 12. Rotating speed can up to 10000RPM
 13. Maximum current can up to 5000 amperes.
 14. Military grade
 15. Optional for underwater IP65, IP68.
 16. Optional for stainless steel housing
- Technical support : Info@orbinox.com

BL4032 SERIES SLIP RINGS

BL4032 series is inserting large current slip ring without mercury. Except conventional advantages, it has advantages of convenient connection and stronger current-carrying capability. It can replace the conventional mercury slip ring. This series slip ring is especially designed for industrial manufacturing industry, which can fully meet national and EU environmental standards, in line with international environment requirements. The conducting ring adopts precious metal with plating processing; the electrical brush adopts precious alloy wire; the connector adopts standard flat connector which is convenient for connection.

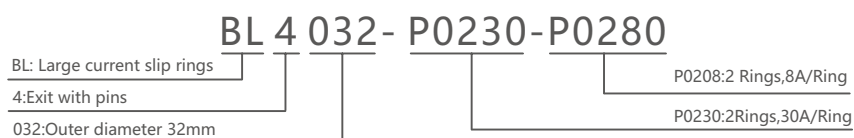
Product images



The pictures are for reference only

If there are changes in the appearance and size of the product, the actual product should prevail.

Part# Explanation



BL4032 Series(Insertion)slip ring part# list

Parts#	30A	Signal or 8A	Length (mm)	Remarks
BL4032-P0230	2	0	47.4	Can replace A2H,M230
BL4032-P0330	3	0	47.4	Can replace A3H,M330
BL4032-P0230-P0208	2	2	47.4	Can replace A4H,M430

Note: N channels 30A rings parallel can be used as 1 channel N * 30A current. For example: 2 rings 30A parallel could be used as 1 wires 60A

Mechanical Data

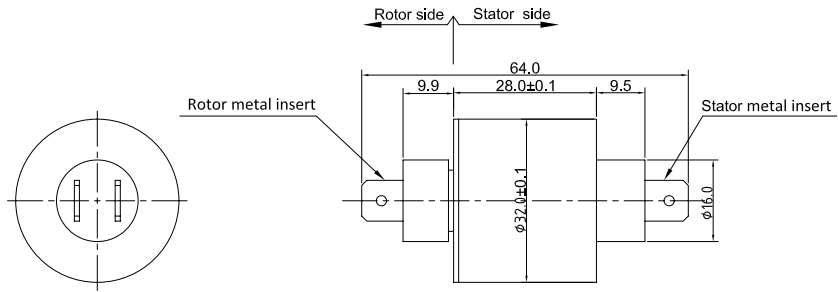
Project	Numerical value
Working Life	20 Million revs
Rotating Speed	250RPM
Working temperature	-30°C~80°C
Operating Humidity	0~85% RH
Contact Material	Gold-plated
Housing Materia	aluminium alloy / PBT
Torque	0.1N.m; +0.03N.m/6rings
Protection Grade	IP51

Electrical Data

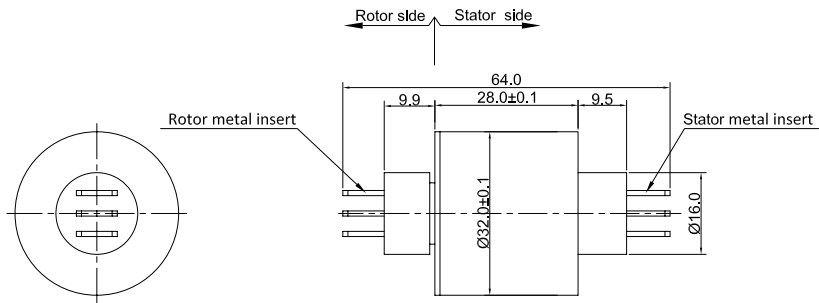
Project	Numerical value	Signal
Rated Voltage	0~200VAC/VDC	0~220VAC/VDC
Insulation Resistance	≥500MΩ/300VDC	≥500MΩ/300VDC
Lead Wires	Exit with pins	≥500MΩ/300VDC
Dielectric Strength	500VAC@50Hz, 60s	Exit with pins
Electrical Noise	<0.01Ω	

Dimensions

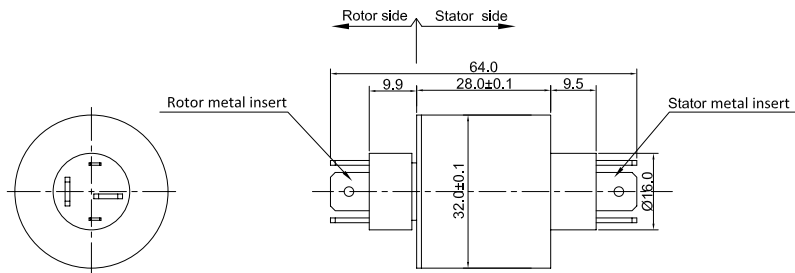
BL4032-P0230 Dimensions



BL4032-P0330 Dimensions



BL4032-P0230-P0208 Dimensions



BL4045 SERIES SLIP RINGS

BL4045 series is inserting large current slip ring without mercury. Except conventional advantages, it has advantages of convenient connection and stronger current-carrying capability. It can replace the conventional mercury slip ring. This series slip ring is especially designed for industrial manufacturing industry, which can fully meet national and EU environmental standards, in line with international environment requirements. The conducting ring adopts precious metal with plating processing; the electrical brush adopts precious alloy wire; the connector adopts standard flat connector which is convenient for connection.

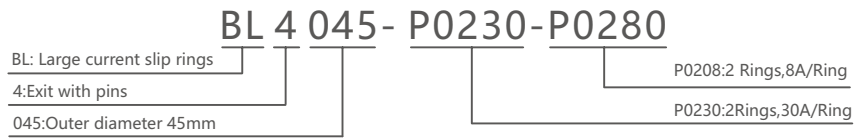
Product images



The pictures are for reference only

If there are changes in the appearance and size of the product, the actual product should prevail.

Part# Explanation



Mechanical Data

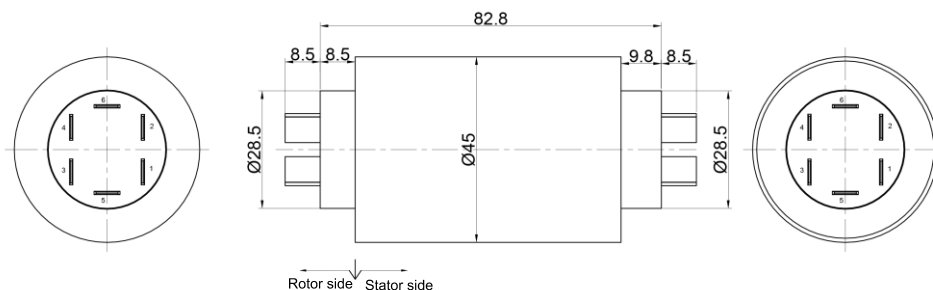
Project	Numerical value
Working Life	20 Million revs
Rotating Speed	250RPM
Working temperature	-30°C~80°C
Operating Humidity	0~85% RH
Contact Material	Gold-plated
Housing Materia	aluminium alloy / PBT
Torque	0.1N.m; +0.03N.m/6rings
Protection Grade	IP51

Electrical Data

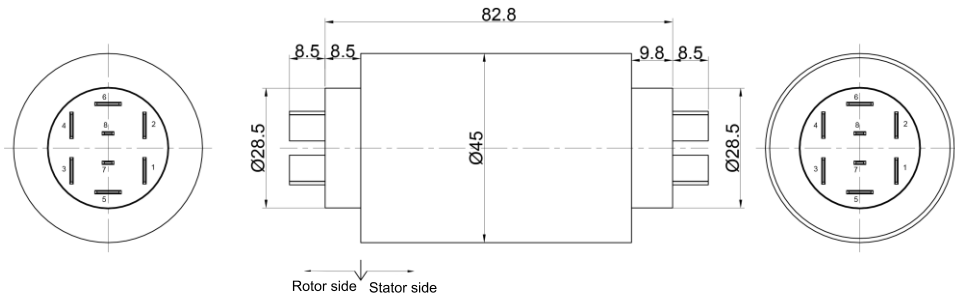
Project	Numerical value	Signal
Rated Voltage	0~440VAC/VDC	0~440VAC/VDC
Insulation Resistance	≥500MΩ/500VDC	≥500MΩ/500VDC
Lead Wires	Exit with pins	≥500MΩ/500VDC
Dielectric Strength	500VAC@50Hz, 60s	Exit with pins
Electrical Noise	<0.01Ω	

Dimensions

BL4045-P0430-P0208 Dimensions



BL4045-P0630-P0208 Dimensions



BL5045 SERIES SLIP RINGS

BL5045 series is terminal large current slip ring with signal wire; the current can be 100A/150A/250A/350A/500A/1000A. Advantages: small size, light weight, large current-carrying. This series slip ring is suitable for the occasion where single big current is needed, such as welding, electroplating industry, etc.

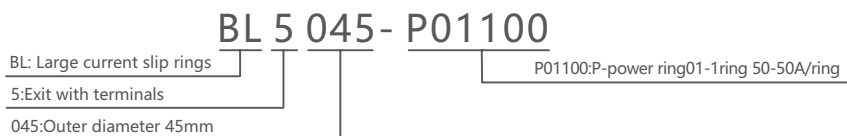
Product images



The pictures are for reference only

If there are changes in the appearance and size of the product, the actual product should prevail.

Part# Explanation



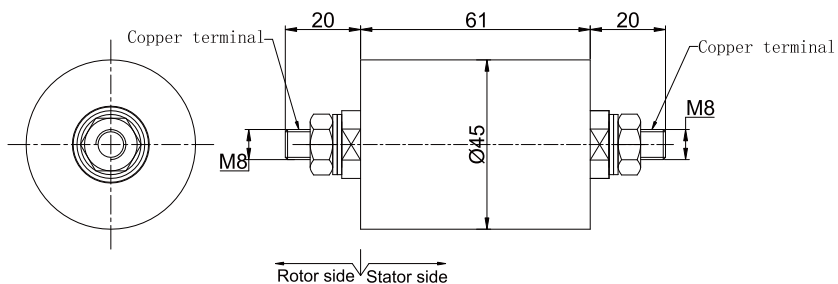
BL5045 power slip ring(single way) series part list

Parts#	50A	100A	150A	200A	250A	500A	1000A
BL5045-P0150	1	0	0	0	0	0	0
BL5045-P01100	0	1	0	0	0	0	0
BL5045-P01150	0	0	1	0	0	0	0
BL5045-P01200	0	0	0	1	0	0	0
BL5045-P01250	0	0	0	0	1	0	0
BL5045-P01500	0	0	0	0	0	1	0
BL5045-P011000	0	0	0	0	0	0	1

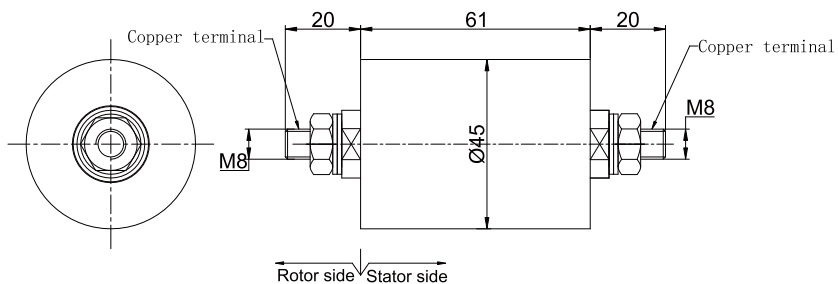
Note: 1) N channels 10A rings parallel can be used as 1 channel N*10A current. For example: 2 rings 10A parallel could be used as 1 wires 20A
 2) Current value can be customized, please contact customer service for more details.

Dimensions

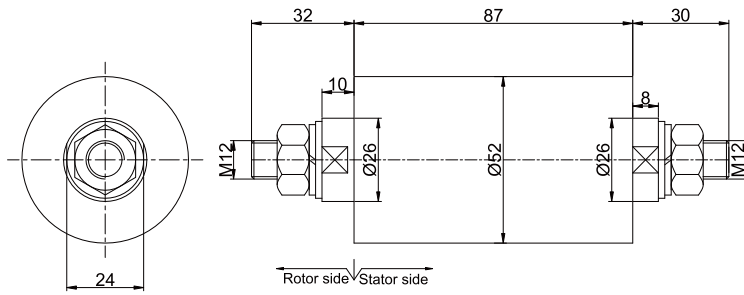
BL5045-P01100 Dimensions



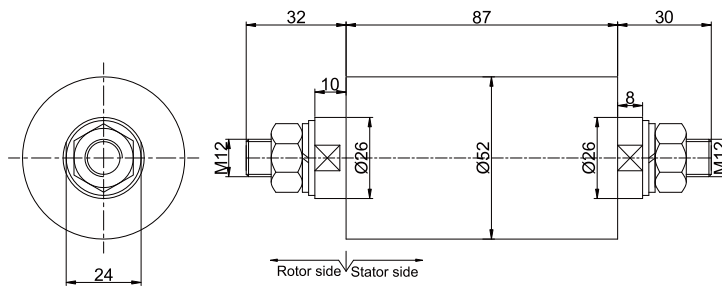
BL5045-P01150 Dimensions



BL5045-P01200 Dimensions



BL5045-P01250 Dimensions



Mechanical Data

Project	Numerical value
Working Life	20 Million revs
Rotating Speed	250RPM
Working temperature	-30°C~80°C
Operating Humidity	0~85% RH
Contact Material	precious metal
Housing Materia	aluminium alloy
Torque	0.1N.m; +0.03N.m/6rings
Protection Grade	IP51

Electrical Data

Project	Numerical value
Rated Voltage	0~690VAC/VDC
Insulation Resistance	≥1000MΩ/1000VDC
Lead Wires	terminal
Dielectric Strength	500VAC@50Hz, 60s
Electrical Noise	<0.01Ω

Options for custom slip ring

Note: Below special demands can be customized According , the delivery date will be extended 3 to15 days; also the cost will be increased 30%to 50% . Most of our basic parts are standard and modular which can save the cost and lead time.

1. Cable exit way and cable length can be customized for both rotor and stator.
2. Because of the structure limitation, length/height/OD can be customized on your request.
3. Support current or signal up to 200 rings.
4. Aviation plug, terminal and heat-shrink tube are optional.
5. Hybrid slip ring for Yaskawa/Panasonic/Siemens servo control signal, power line and encoder line.
6. Support mixed high speed data transmission (including Ethernet, USB, RS232, RS485, Profibus, CanBUS, CANOPEN, DeviceNET, CC-LINK, ProfiNET, EtherCAT, etc.)
7. Can combine temperature control signal with thermocouple signal.
8. Special environment can be customized, such as quakeproof, high temperature, etc.
9. Hybrid Pneumatic/hydraulic and electric slip ring can be mixed.
10. High temperature can up to 500 degrees.
11. High pressure can up to 110KV
12. Rotating speed can up to 10000RPM
13. Maximum current can up to 5000 amperes.
14. Military grade
15. Optional for underwater IP65, IP68.
16. Optional for stainless steel housing

Technical support : Info@orbinexus.com

BL5158 SERIES SLIP RINGS

BL5158 is super large current slip ring, and the rotor and stator separately adopt terminal connection, which is often used in application over 100A. According to the customer's request, it can be customized to add sensor signal or thermocouple signal. Our products adopt material imported from America. It has advantages of low contact resistance, slow temperature increase, which can meet the reliability requirements of military level.

Product images



The pictures are for reference only

If there are changes in the appearance and size of the product, the actual product should prevail.

Part# Explanation

BL 5 158- P02100

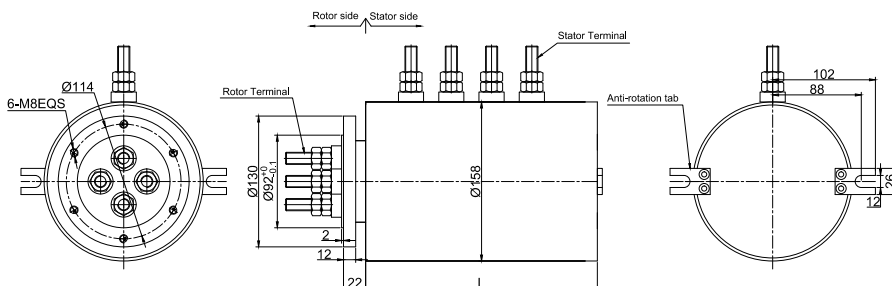
BL: Large current slip rings

5:Exit with terminals

158:Outer diameter 158mm,mainly for the 2ring,3rings and 4 rings

P01100:P-power ring;02-2ring 100-100A/ring

Dimensions



BL5158 Series(Terminals)power slip ring part# list

Parts#	50A	100A	150A	200A	300A	500A	Length (mm)
BL5158-P01200	0	0	0	1	0	0	96
BL5158-P01300	0	0	0	0	1	0	96
BL5158-P01500	0	0	0	0	0	1	96
BL5158-P02200	0	0	0	2	0	0	170
BL5158-P02300	0	0	0	0	2	0	170
BL5158-P02500	0	0	0	0	0	2	210
BL5158-P03200	0	0	0	3	0	0	220
BL5158-P03300	0	0	0	0	3	0	220
BL5158-P03500	0	0	0	0	0	3	280
BL5158-P04200	0	0	0	4	0	0	270
BL5158-P04300	0	0	0	0	4	0	270
BL5159-P04500	0	0	0	0	0	4	350

Note: 1. N channels 50A rings parallel can be used as 1 channel N * 50A current. For example: 2 rings 50A parallel could be used as 1 wires100A
 2. According to the customer's request, it can be customized to pass high current 1000A to 7500A. Please contact customer service for more details.

Mechanical Data

Project	Numerical value
Working Life	20 Million revs
Rotating Speed	250RPM
Working temperature	-30°C~80°C
Operating Humidity	0~85% RH
Contact Material	Gold-plated
Housing Materia	aluminium alloy
Torque	0.1N.m; +0.03N.m/6rings
Protection Grade	IP51

Electrical Data

Project	Numerical value	Signal
Rated Voltage	0~690VAC/VDC	0~440VAC/VDC
Insulation Resistance	≥1000MΩ/1000VDC	≥1000MΩ/500VDC
Lead Wires	terminal	Terminal
Lead Length	Standard 300mm	
Dielectric Strength	500VAC@50Hz, 60s	
Electrical Noise	<0.01Ω	

Options for custom slip ring

Note: Below special demands can be customized According , the delivery date will be extended 3 to15 days; also the cost will be increased 30%to 50% . Most of our basic parts are standard and modular which can save the cost and lead time.

1. Cable exit way and cable length can be customized for both rotor and stator.
2. Because of the structure limitation, length/height/OD can be customized on your request.
3. Support current or signal up to 200 rings.
4. Aviation plug, terminal and heat-shrink tube are optional.
5. Hybrid slip ring for Yaskawa/Panasonic/Siemens servo control signal, power line and encoder line.
6. Support mixed high speed data transmission (including Ethernet, USB, RS232, RS485, Profibus, CanBUS, CANOPEN, DeviceNET, CC-LINK, ProfiNET, EtherCAT, etc.)
7. Can combine temperature control signal with thermocouple signal.
8. Special environment can be customized, such as quakeproof, high temperature, etc.
9. Hybrid Pneumatic/hydraulic and electric slip ring can be mixed.
10. High temperature can up to 500 degrees.
11. High pressure can up to 110KV
12. Rotating speed can up to 10000RPM
13. Maximum current can up to 5000 amperes.
14. Military grade
15. Optional for underwater IP65, IP68.
16. Optional for stainless steel housing

Technical support : Info@orbinox.com

BL-A Series micro power high current slip ring

Main features of the product

The micro high current conductive slip ring is designed to pass through high-power high current with very small outer diameter, with a maximum current of 250A. It uses contacts with extremely low contact resistance and low heat generation. Before leaving the factory, each device has temperature rise experiments and high current impact experiments!

Product images



The pictures are for reference only

If there are changes in the appearance and size of the product, the actual product should prevail.

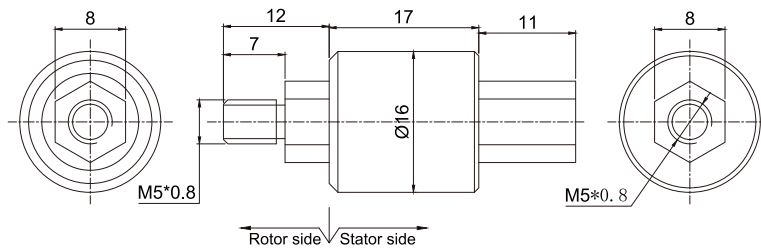
Model List

Model	Inner pore (mm)	Outside diameter (mm)	Number of lines (loops)	Current per circuit (A)
BL-A1M2	0	16	1	20A
BL-A1M5	0	18	1	50A
BL-A1M12	0	21	1	120A
BL-A1H25	0	31.6	1	250A

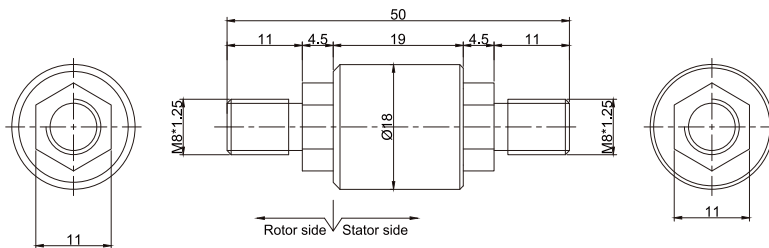
60% of our company's sales are customized products. Please consult customer service for special requirements and specifications

Model and appearance Dimensions

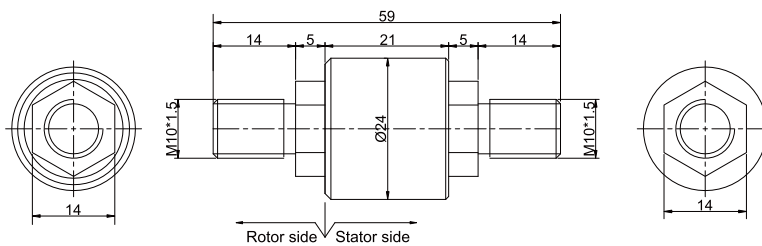
BL-A1M2 dimension



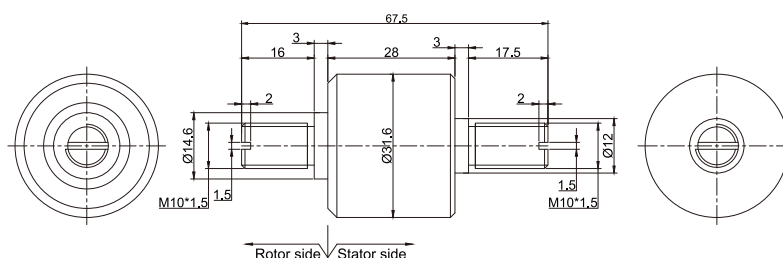
BL-A1M5 dimension



BL-A1M12 dimension



BL-A1H25 dimension



Mechanical Data

Project	Numerical value
Working Life	20 Million revs
Rotating Speed	250RPM
Working temperature	-30°C~80°C
Operating Humidity	0~85% RH
Contact Material	Precious metal
Housing Materia	aluminium alloy
Torque	0.1N.m; +0.03N.m/6rings
Protection Grade	IP51

Electrical Data

Project	Numerical value
Rated Voltage	0~690VAC/VDC
Insulation Resistance	≥1000MΩ/1000VDC
Lead Wires	terminal
Dielectric Strength	500VAC@50Hz, 60s
Electrical Noise	<0.01Ω

Options for custom slip ring

Note: Below special demands can be customized According , the delivery date will be extended 3 to15 days; also the cost will be increased 30%to 50% . Most of our basic parts are standard and modular which can save the cost and lead time.

1. Cable exit way and cable length can be customized for both rotor and stator.
2. Because of the structure limitation, length/height/OD can be customized on your request.
3. Support current or signal up to 200 rings.
4. Aviation plug, terminal and heat-shrink tube are optional.
5. Hybrid slip ring for Yaskawa/Panasonic/Siemens servo control signal, power line and encoder line.
6. Support mixed high speed data transmission (including Ethernet, USB, RS232, RS485, Profibus, CanBUS, CANOPEN, DeviceNET, CC-LINK, ProfiNET, EtherCAT, etc.)
7. Can combine temperature control signal with thermocouple signal.
8. Special environment can be customized, such as quakeproof, high temperature, etc.
9. Hybrid Pneumatic/hydraulic and electric slip ring can be mixed.
10. High temperature can up to 500 degrees.
11. High pressure can up to 110KV
12. Rotating speed can up to 10000RPM
13. Maximum current can up to 5000 amperes.
14. Military grade
15. Optional for underwater IP65, IP68.
16. Optional for stainless steel housing

Technical support : Info@orbinexus.com