

BH SERIES through bore Slip Rings

BH series through bore slip ring is mainly used for transmitting all kinds of signal and power circuits with a through bore, designed for through bore hydraulic or pneumatic rotating shaft installation.

Features

- Uses fiber brush technology which offers several advantages over conventional slip ring contacts including multiple points of contact per brush bundle
- Bore size from 12.7 to 210mm
- Standard, off-the-shelf
- Gold plated ring and Gold alloy brush
- Support power, signals transmitting
- Rings combination is available



BH Series Models

Model#	ID (mm)	OD (mm)	Circuits (Rings)
BH0317	3	17	1~8
BH0522	5	22	1~15
BH0724	7	24.8	1~12
MT0729	7	29	1~18
BH1233	12.7	33	1~12
BH1242	12.7	42	1~12
BH2042	20	42	1~12
BH1256	12.7	56	1~48
BH2056	20	56	1~24
BH1256F	12.7	56	1~48
BH1286	12.7	86	1~96
BH2069	20	69	1~48
BH2069F	20	69	1~48
BH2578	25.4	78	1~72
BH2586	25.4	86	1~72
BH2586F	25.4	86	1~72
BH25119	25.4	119	1~144
BH3099	30	99	1~72
BH3899	38.1	99	1~72
BH3899F	38.1	99	1~72
BH50119	50	119	1~108
BH50119F	50	119	1~108
BH50130	50	130	1~144
BH60130	60	130	1~108
BH70158	70	158	1~108
BH80158	80	158	1~108
BH90185	90	185	1~108
BH100185	100	185	1~108
BH120215	120	215	1~108
BH150248	150	248	1~108
BH180298	180	298	1~108
BH200345	200	345	1~108
BH210345	210	345	1~108
BH250398	250	398	1~108
BH300476	300	476	1~108

60% of MOFLON's sales are customized solutions, please contact customer service for special requirements.

BH0317 SERIES

BH0317 series provides a 3mm through-bore for routing of hydraulic or pneumatic lines or hydraulic or pneumatic rotating shaft installation, and a compact 17mm outside diameter, features long life, fiber brush contact technology for ultimate performance in many challenging applications. BH0317 series are standard, off-the-shelf products, Color-coded lead wires are used on both the stator and rotor for simplified electrical connections. It can transmit signal (2A), 5A current when 360° degree free rotating.

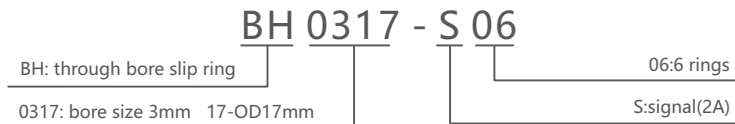
Product images



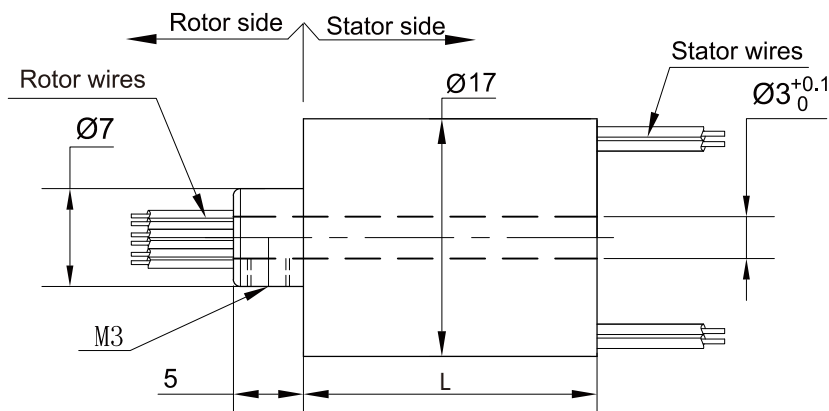
The pictures are for reference only

As the signal pathway increases or the combination of light and electricity results in changes in the appearance and size of the product, the actual product shall prevail.

Part# Explanation



Dimensions



BH0317 Series Parts# List

Part#	Signal or 2A	Length-L (mm)
BH0317-S02	2	13.3
BH0317-S03	3	13.3
BH0317-S04	4	13.3
BH0317-S06	6	21
BH0317-S08	8	21

Note: N channels 2A rings parallel can be used as 1 channel N*2A current. For example: 2 rings 2A parallel could be used as 1 wires 4A

Electrical parameters

Project	Power	Siana
Rated Voltage	0~220VAC/VDC	0~220VAC/VDC
Insulation Resistance	≥100MΩ/220VDC	≥100MΩ/220VDC
Lead Wires	AWG28#Teflon	AWG28#Teflon
Lead Length	Standard 300mm(adjustable)	
Insulation Strength	500VAC@50Hz, 60s	
Electrical Noise	<0.01Ω	

Mechanical Data

Project	Value
Working Life	10 million revs
Rotating Speed	Max 250RPM
Working Temperature	-30°C~80°C
Operating Humidity	0~85% RH
Contact Material	Gold-gold
Housing Material	PBT
Torque	0.05N.m: +0.02N.m/6rings
Protection Grade	IP51

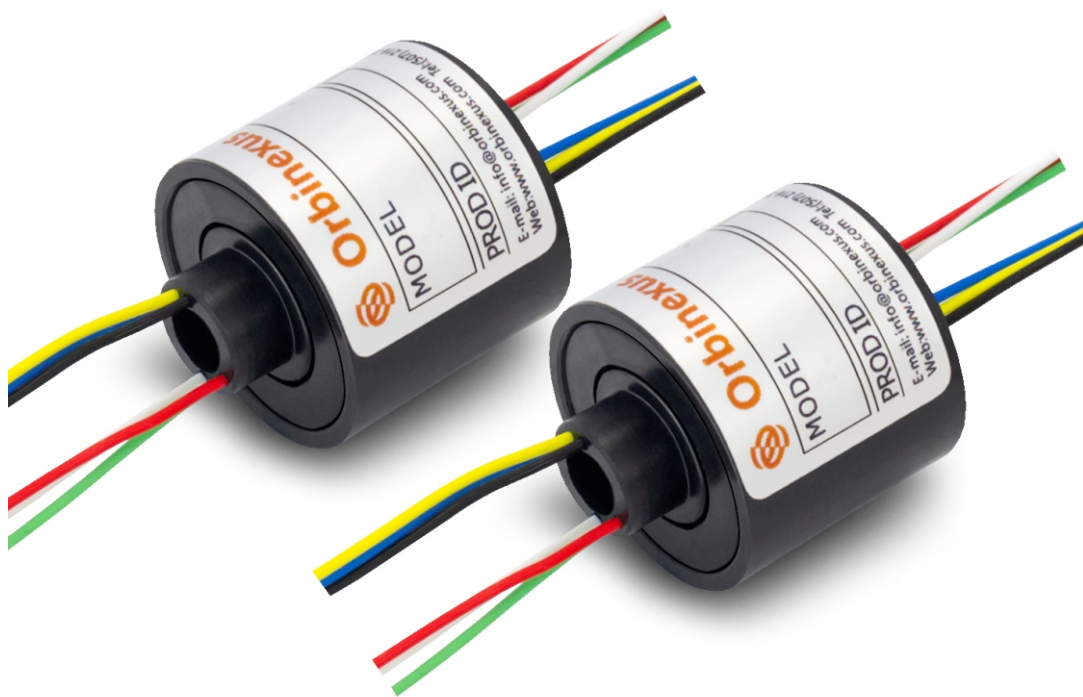
Lead Wires Color Code

4 wire					8 wire								
Ring	1	2	3	4	Ring	1	2	3	4	5	6	7	8
Color	BLK	RED	YEL	GRN	Color	RED	GRN	YEL	PUR	GRA	BLK	BLU	DKBU

BH0522 SERIES

BH0522 series provides a 5mm through-bore for routing of hydraulic or pneumatic lines or hydraulic or pneumatic rotating shaft installation, and a compact 22mm outside diameter, features long life, fiber brush contact technology for ultimate performance in many challenging applications. BH0522 series are standard, off-the-shelf products, Color-coded lead wires are used on both the stator and rotor for simplified electrical connections. It can transmit signal (2A), 5A current when 360° degree free rotating.

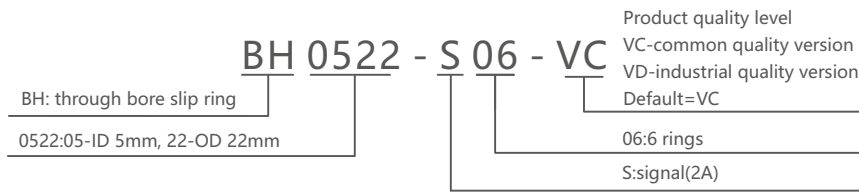
Product images



The pictures are for reference only

As the signal pathway increases or the combination of light and electricity results in changes in the appearance and size of the product, the actual product shall prevail.

Part# Explanation



BH0522 Series Parts# List

Part#	Signal or 2A	Length-L (mm)
BH0522-S02	2	19
BH0522-S04	4	19
BH0522-S06	6	19
BH0522-S08	8	30
BH0522-S10	10	30
BH0522-S12	12	30
BH0522-S15	15	30

Note: N channels 2A rings parallel can be used as 1 channel N*2A current. For example: 2 rings 2A parallel could be used as 1 wires 4A

Electrical parameters

Project	Power	Siana
Rated Voltage	0~220VAC/VDC	0~220VAC/VDC
Insulation Resistance	≥100MΩ/220VDC	≥100MΩ/220VDC
Lead Wires	AWG26#Teflon(BH0522-S06)	AWG28#Teflon(BH0522-S15)
Lead Length	Standard 300mm(adjustable)	
Insulation Strength	500VAC@50Hz, 60s	
Electrical Noise	<0.01Ω	

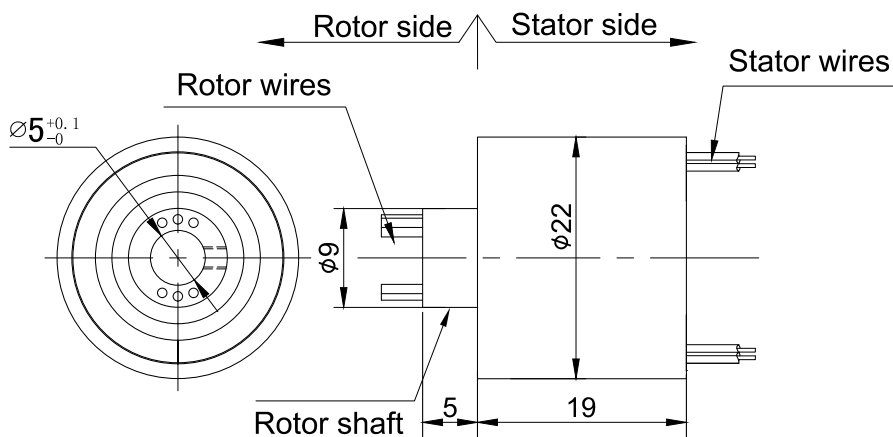
Mechanical Data

Project	Value
Working Life	10 million revs
Rotating Speed	Max 250RPM
Working Temperature	-30°C~80°C
Operating Humidity	0~85% RH
Contact Material	Gold-gold
Housing Material	PBT
Torque	0.05N.m; +0.02N.m/6rings
Protection Grade	IP51

Product Quality Level Table

Products Level Code	Max Rotating Speed	Working Life	Contact Material
VC	250RPM	10 Million Revs	Precious Metal
VD	600RPM	20 Million Revs	Gold-Gold

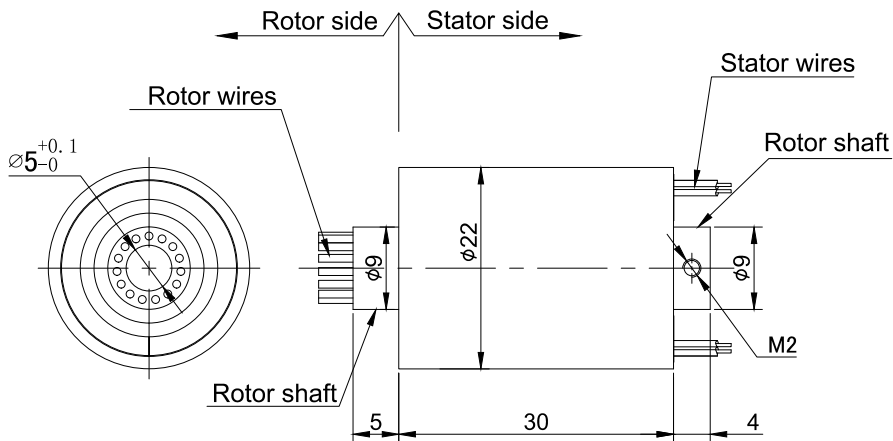
BH0522-S06 Dimensions



BH0522-S06 Lead Wires Color Code

Ring	1	2	3	4	5	6
Color	BLK	RED	YEL	GRY	BLU	WHT

BH0522-S15 Dimensions



BH0522-S15 Lead Wires Color Code

Ring	1	2	3	4	5	6	7	8
Color	RED	GRN	YEL	VLG	GRY	BLK	BLU	DKBU
Ring	9	10	11	12	13	14	15	
Color	BRN	ORN	WHT	DKYEL	WHT-RED	WHT-BLK	WHT-BLU	

Options For Custom Slip Ring

Note: Below special demands can be customized. According, the delivery date will be extended 3 to 15 days; also the cost will be increased 30% to 50%. Most of our basic parts are standard and modular, which can save the cost and lead time.

1. Cable exit way and cable length can be customized for both rotor and stator.
2. Because of the structure limitation, length/height/OD can be customized on your request.
3. Support current or signal up to 200 rings.
4. Aviation plug, terminal and heat-shrink tube are optional.
5. Hybrid slip ring for Yaskawa/Panasonic/Siemens servo control signal, power line and encoder line.
6. Support mixed high speed data transmission (including Ethernet, USB, RS232, RS485, Profibus, CanBUS, CANOPEN, DeviceNET, CC-LINK, ProfiNET, EtherCAT, etc.)
7. Can combine temperature control signal with thermocouple signal.
8. Special environment can be customized, such as quakeproof, high temperature, etc.
9. Hybrid Pneumatic/hydraulic and electric slip ring can be mixed.
10. High temperature can up to 500 degrees.
11. High pressure can up to 110KV
12. Rotating speed can up to 10000RPM
13. Maximum current can up to 5000 amperes.1Military grade
14. Optional for underwater IP65, Ip68.
15. Optional for stainless steel housing

Technical support: Info@orbinexus.com

BH0724 SERIES

BH0724 series provides a 7mm through-bore for routing of hydraulic or pneumatic lines or hydraulic or pneumatic rotating shaft installation, and a compact 24.8mm outside diameter, features long life, fiber brush contact technology for ultimate performance in many challenging applications. BH0724 series are standard, off-the-shelf products, Color-coded lead wires are used on both the stator and rotor for simplified electrical connections. It can transmit signal (2A), 5A current when 360° degree free rotating.

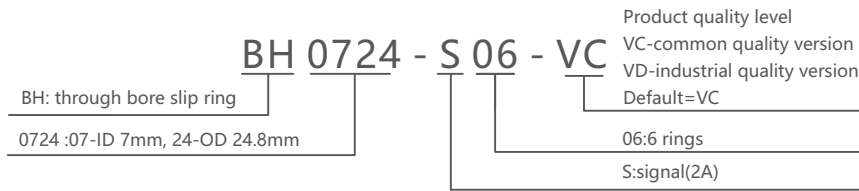
Product images



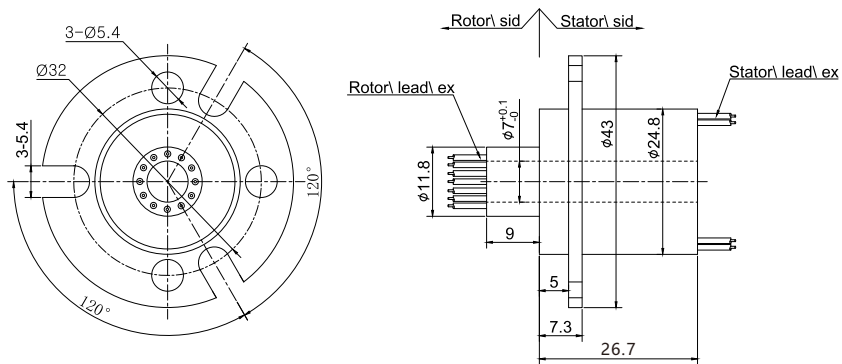
The pictures are for reference only

As the signal pathway increases or the combination of light and electricity results in changes in the appearance and size of the product, the actual product shall prevail.

Part# Explanation



Dimensions



BH0724 Series Parts# List

Part#	Signal or 2A	Length-L (mm)
BH0724-S02	2	27
BH0724-S04	4	27
BH0724-S06	6	27
BH0724-S08	8	27
BH0724-S10	10	27
BH0724-S12	12	27

Note:N channels 2A rings parallel can be used as 1 channel N*2A current. For example: 2 rings 2A parallel could be used as 1 wires 4A

Electrical parameters

Project	Power	Siana
Rated Voltage	0~220VAC/VDC	0~220VAC/VDC
Insulation Resistance	≥100MΩ/220VDC	≥100MΩ/220VDC
Lead Wires	AWG28#Teflon	AWG28#Teflon
Lead Length	Standard 300mm(adjustable)	
Insulation Strength	100VAC@50Hz, 60s	
Electrical Noise	<0.01Ω	

Mechanical Data

Project	Value
Working Life	10 million revs
Rotating Speed	Max 250RPM
Working Temperature	-30°C~80°C
Operating Humidity	0~85% RH
Contact Material	Gold-gold
Housing Material	Aluminium Alloy
Torque	0.05N.m, +0.02N.m/6rings
Protection Grade	IP51

Product Quality Level Table

Products Level Code	Max Rotating Speed	Working Life	Contact Material
VC	250RPM	10 Million Revs	Precious Metal
VD	600RPM	20 Million Revs	Gold-Gold

Lead Wires Color Code

4 wire					8 wire								
Ring	1	2	3	4	Ring	1	2	3	4	5	6	7	8
Color	BLK	RED	YEL	GRN	Color	RED	GRN	YEL	PUR	GRA	BLK	BLU	DKBU

BH0729 SERIES

BH0729 series provides a 7mm through-bore for routing of hydraulic or pneumatic lines or hydraulic or pneumatic rotating shaft installation, and a compact 29mm outside diameter, features long life, fiber brush contact technology for ultimate performance in many challenging applications. BH0729 series are standard, off-the-shelf products, Color-coded lead wires are used on both the stator and rotor for simplified electrical connections. It can transmit signal (2A), 5A current when 360° degree free rotating.

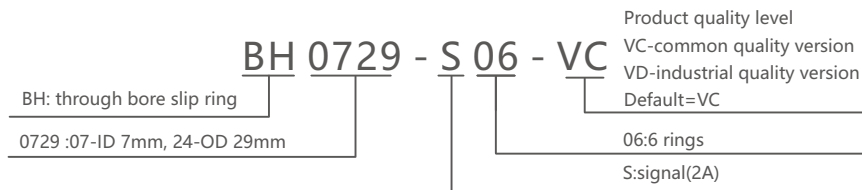
Product images



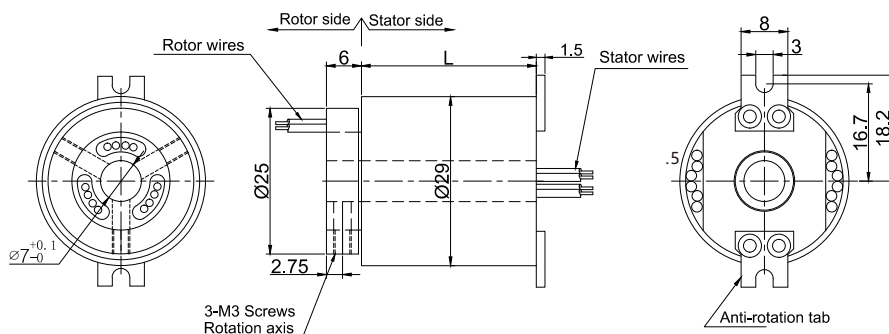
The pictures are for reference only

As the signal pathway increases or the combination of light and electricity results in changes in the appearance and size of the product, the actual product shall prevail.

Part# Explanation



Dimensions



BH0729 Series Parts# List

Part#	10A	Signal or 5A	Length-L (mm)
BH0729-S02	0	2	30
BH0729-P0210	2	0	30
BH0729-S03	0	3	30
BH0729-P0310	3	0	30
BH0729-S04	0	4	30
BH0729-P0410	4	0	30
BH0729-S06	0	6	30
BH0729-P0210-S03	2	3	30
BH0729-P0410-S02	4	2	30
BH0729-P0610	6	0	43.8
BH0729-S12	0	12	43.8
BH0729-P0210-S09	2	10	43.8
BH0729-P0410-S06	4	8	43.8
BH0729-P0610-S03	6	6	43.8
BH0729-P0810-S06	8	4	57.6
BH0729-P1010-S03	10	2	57.6
BH0729-P1210	12	0	57.6

Note: N channels 5A rings parallel can be used as 1 channel N*5A current. For example: 2 rings 5A parallel could be used as 1 wires 10A

Electrical parameters

Project	Power	Siana
Rated Voltage	0~240VAC/VDC	0~240VAC/VDC
Insulation Resistance	≥200MΩ/300VDC	≥200MΩ/300VDC
Lead Wires	AWG17#Teflon	AWG22#Teflon
Lead Length	Standard 300mm(adjustable)	
Insulation Strength	200VAC@50Hz, 60s	
Electrical Noise	<0.01Ω	

Mechanical Data

Project	Value
Working Life	See Product Quality Level Table
Rotating Speed	See Product Quality Level Table
Working Temperature	-30°C~80°C
Operating Humidity	0~85% RH
Contact Material	See Product Quality Level Table
Housing Material	Aluminium Alloy
Torque	0.05N.m, +0.02N.m/6rings
Protection Grade	IP51

Product Quality Level Table

Products Level Code	Max Rotating Speed	Working Life	Contact Material
VC	250RPM	10 Million Revs	Precious Metal
VD	600RPM	20 Million Revs	Gold-Gold

Lead Wires Color Code

Ring	1	2	3	4	5	6	7	8	9	10	11	12
Color	BLK	RED	YEL	GRN	BLU	WHT	BLK	RED	YEL	GRN	BLU	WHT

(6 wires for 1 group color, from 7-12, repeat the same color as 1...6, indicated with number code pipe)

BH1233 SERIES

BH1233 series provides a 12.7mm through-bore for routing of hydraulic or pneumatic lines or hydraulic or pneumatic rotating shaft installation, and a compact 33mm outside diameter, features long life, fiber brush contact technology for ultimate performance in many challenging applications. BH1233 series are standard, off-the-shelf products, Color-coded lead wires are used on both the stator and rotor for simplified electrical connections. It can transmit signal (2A), 5A current when 360° degree free rotating.

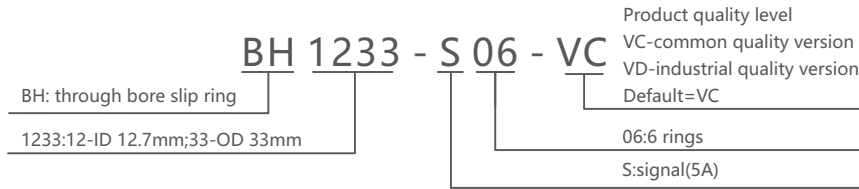
Product images



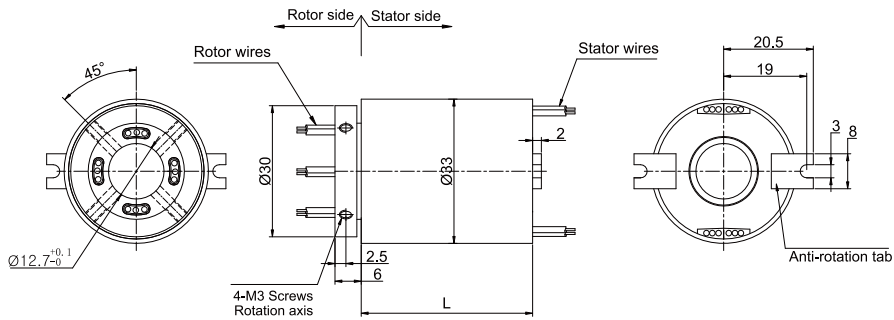
The pictures are for reference only

As the signal pathway increases or the combination of light and electricity results in changes in the appearance and size of the product, the actual product shall prevail.

Part# Explanation



Dimensions



BH1233 Series Parts# List

Part#	Signal or 5A	Length-L (mm)
BH1233-S02	2	25.4
BH1233-S03	3	25.4
BH1233-S04	4	25.4
BH1233-S06	6	25.4
BH1233-S08	8	39.2
BH1233-S10	10	39.2
BH1233-S12	12	39.2

Note:N channels 5A rings parallel can be used as 1 channel N*5A current. For example: 2 rings 5A parallel could be used as 1 wires 10A. If each circuit need to pass current over 5A, please contact customer service for more details.

Electrical parameters

Project	Power	Siana
Rated Voltage	0~240VAC/VDC	0~240VAC/VDC
Insulation Resistance	≥500MΩ/300VDC	≥200MΩ/300VDC
Lead Wires	AWG22#Teflon	AWG22#Teflon
Lead Length	Standard 300mm(adjustable)	
Insulation Strength	200VAC@50Hz, 60s	
Electrical Noise	<0.01Ω	

Mechanical Data

Project	Value
Working Life	See Product Quality Level Table
Rotating Speed	See Product Quality Level Table
Working Temperature	-30°C~80°C
Operating Humidity	0~85% RH
Contact Material	See Product Quality Level Table
Housing Material	Engineering plastic
Torque	0.01N.m, +0.03N.m/6rings
Protection Grade	IP51

Product Quality Level Table

Products Level Code	Max Rotating Speed	Working Life	Contact Material
VC	250RPM	20 Million Revs	Precious Metal
VD	500RPM	60 Million Revs	Gold-Gold

Lead Wires Color Code

Ring	1	2	3	4	5	6	7	8	9	10	11	12
Color	BLK	RED	YEL	GRN	BLU	WHT	BLK	RED	YEL	GRN	BLU	WHT

(6 wires for 1 group color, from 7-12, repeat the same color as 1...6, indicated with number code pipe)

Options For Custom Slip Ring

Note: Below special demands can be customized. According, the delivery date will be extended 3 to 15 days; also the cost will be increased 30% to 50%. Most of our basic parts are standard and modular, which can save the cost and lead time.

1. Cable exit way and cable length can be customized for both rotor and stator.
2. Because of the structure limitation, length/height/OD can be customized on your request.
3. Support current or signal up to 200 rings.
4. Aviation plug, terminal and heat-shrink tube are optional.
5. Hybrid slip ring for Yaskawa/Panasonic/Siemens servo control signal, power line and encoder line.
6. Support mixed high speed data transmission (including Ethernet, USB, RS232, RS485, Profibus, CanBUS, CANOPEN, DeviceNET, CC-LINK, ProfiNET, EtherCAT, etc.)
7. Can combine temperature control signal with thermocouple signal.
8. Special environment can be customized, such as quakeproof, high temperature, etc.
9. Hybrid Pneumatic/hydraulic and electric slip ring can be mixed.
10. High temperature can up to 500 degrees.
11. High pressure can up to 110KV
12. Rotating speed can up to 10000RPM
13. Maximum current can up to 5000 amperes.1Military grade
14. Optional for underwater IP65, Ip68.
15. Optional for stainless steel housing

Technical support: Info@orbinexus.com

BH1242 SERIES

BH1242 series provides a 12.7mm through-bore for routing of hydraulic or pneumatic lines or hydraulic or pneumatic rotating shaft installation, and a compact 42mm outside diameter, features long life, fiber brush contact technology for ultimate performance in many challenging applications. BH1242 series are standard, off-the-shelf products, Color-coded lead wires are used on both the stator and rotor for simplified electrical connections. It can transmit signal (2A), 5A current when 360° degree free rotating.

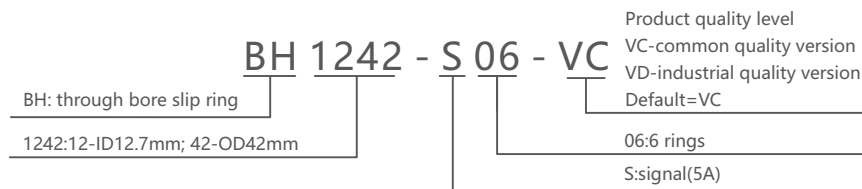
Product images



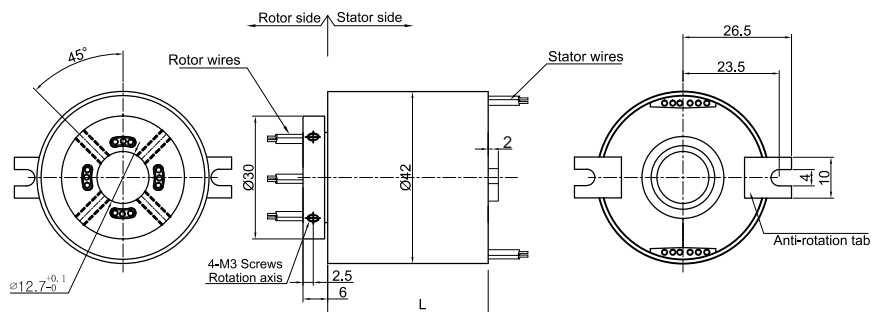
The pictures are for reference only

As the signal pathway increases or the combination of light and electricity results in changes in the appearance and size of the product, the actual product shall prevail.

Part# Explanation



Dimensions



Bh1242 Series Parts# List

Part#	Signal or 5A	Length-L (mm)
BH1242-S02	2	25.4
BH1242-S03	3	25.4
BH1242-S04	4	25.4
BH1242-S06	6	25.4
BH1242-S08	8	39.2
BH1242-S10	10	39.2
BH1242-S12	12	39.2

Note:N channels 5A rings parallel can be used as 1 channel N*5A current. For example: 2 rings 5A parallel could be used as 1 wires 10A. If each circuit need to pass current over 5A, please contact customer service for more details.

Electrical parameters

Project	Power	Siana
Rated Voltage	0~240VAC/VDC	0~240VAC/VDC
Insulation Resistance	≥500MΩ/300VDC	≥200MΩ/300VDC
Lead Wires	AWG22#Teflon	AWG22#Teflon
Lead Length	Standard 300mm(adjustable)	
Insulation Strength	200VAC@50Hz, 60s	
Electrical Noise	<0.01Ω	

Mechanical Data

Project	Value
Working Life	See Product Quality Level Table
Rotating Speed	See Product Quality Level Table
Working Temperature	-30°C~80°C
Operating Humidity	0~85% RH
Contact Material	See Product Quality Level Table
Housing Material	Engineering plastic
Torque	0.01N.m, +0.03N.m/6rings
Protection Grade	IP51

Product Quality Level Table

Products Level Code	Max Rotating Speed	Working Life	Contact Material
VC	250RPM	20 Million Revs	Precious Metal
VD	500RPM	30 Million Revs	Gold-Gold

Lead Wires Color Code

Ring	1	2	3	4	5	6	7	8	9	10	11	12
Color	BLK	RED	YEL	GRN	BLU	WHT	BLK	RED	YEL	GRN	BLU	WHT

(6 wires for 1 group color, from 7-12, repeat the same color as 1...6, indicated with number code pipe)

Options For Custom Slip Ring

Note: Below special demands can be customized. According, the delivery date will be extended 3 to 15 days; also the cost will be increased 30% to 50%. Most of our basic parts are standard and modular, which can save the cost and lead time.

1. Cable exit way and cable length can be customized for both rotor and stator.
2. Because of the structure limitation, length/height/OD can be customized on your request.
3. Support current or signal up to 200 rings.
4. Aviation plug, terminal and heat-shrink tube are optional.
5. Hybrid slip ring for Yaskawa/Panasonic/Siemens servo control signal, power line and encoder line.
6. Support mixed high speed data transmission (including Ethernet, USB, RS232, RS485, Profibus, CanBUS, CANOPEN, DeviceNET, CC-LINK, ProfiNET, EtherCAT, etc.)
7. Can combine temperature control signal with thermocouple signal.
8. Special environment can be customized, such as quakeproof, high temperature, etc.
9. Hybrid Pneumatic/hydraulic and electric slip ring can be mixed.
10. High temperature can up to 500 degrees.
11. High pressure can up to 110KV
12. Rotating speed can up to 10000RPM
13. Maximum current can up to 5000 amperes.1Military grade
14. Optional for underwater IP65, Ip68.
15. Optional for stainless steel housing

Technical support: Info@orbinexus.com

BH2042 SERIES

BH2042 series provides a 20mm through-bore for routing of hydraulic or pneumatic lines or hydraulic or pneumatic rotating shaft installation, and a compact 42mm outside diameter, features long life, fiber brush contact technology for ultimate performance in many challenging applications. BH2042 series are standard, off-the-shelf products, Color-coded lead wires are used on both the stator and rotor for simplified electrical connections. It can transmit signal (2A), 5A current when 360° degree free rotating.

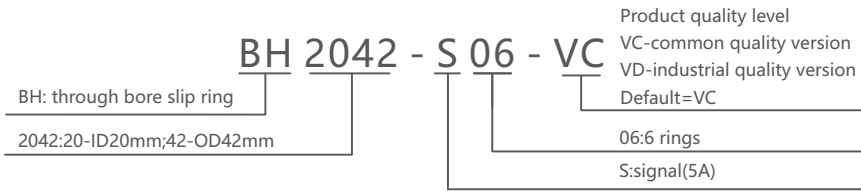
Product images



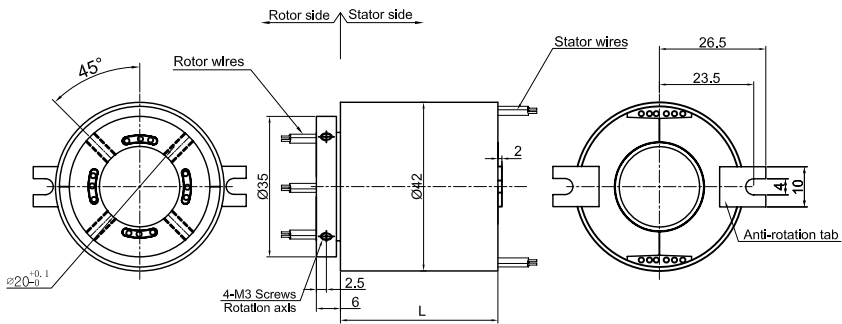
The pictures are for reference only

As the signal pathway increases or the combination of light and electricity results in changes in the appearance and size of the product, the actual product shall prevail.

Part# Explanation



Dimensions



Bh2042 Series Parts# List

Part#	Signal or 5A	Length-L (mm)
BH2042-S02	2	25.4
BH2042-S03	3	25.4
BH2042-S04	4	25.4
BH2042-S06	6	25.4
BH2042-S08	8	39.2
BH2042-S10	10	39.2
BH2042-S12	12	39.2

Note:N channels 5A rings parallel can be used as 1 channel N*5A current. For example: 2 rings 5A parallel could be used as 1 wires 10A. If each circuit need to pass current over 5A, please contact customer service for more details.

Electrical parameters

Project	Power	Siana
Rated Voltage	0~240VAC/VDC	0~240VAC/VDC
Insulation Resistance	$\geq 200M\Omega/300VDC$	$\geq 200M\Omega/300VDC$
Lead Wires	AWG22#Teflon	AWG22#Teflon
Lead Length	Standard 300mm(adjustable)	
Insulation Strength	200VAC@50Hz, 60s	
Electrical Noise	<0.01 Ω	

Mechanical Data

Project	Value
Working Life	See Product Quality Level Table
Rotating Speed	See Product Quality Level Table
Working Temperature	-30°C~80°C
Operating Humidity	0~85% RH
Contact Material	See Product Quality Level Table
Housing Material	Engineering plastic
Torque	0.01N.m, +0.03N.m/6rings
Protection Grade	IP51

Product Quality Level Table

Products Level Code	Max Rotating Speed	Working Life	Contact Material
VC	250RPM	20 Million Revs	Precious Metal
VD	500RPM	30 Million Revs	Gold-Gold

Lead Wires Color Code

Ring	1	2	3	4	5	6	7	8	9	10	11	12
Color	BLK	RED	YEL	GRN	BLU	WHT	BLK	RED	YEL	GRN	BLU	WHT

(6 wires for 1 group color, from 7-12, repeat the same color as 1...6, indicated with number code pipe)

BH1256 SERIES

BH1256 series provides a 12.7mm through-bore for routing of hydraulic or pneumatic lines or hydraulic or pneumatic rotating shaft installation, and a compact 56mm outside diameter, features long life, fiber brush contact technology for ultimate performance in many challenging applications. BH1256 series are standard, off-the-shelf products, Color-coded lead wires are used on both the stator and rotor for simplified electrical connections. It can transmit signal (2A), 10A, multiple 10A current when 360° degree free rotating.

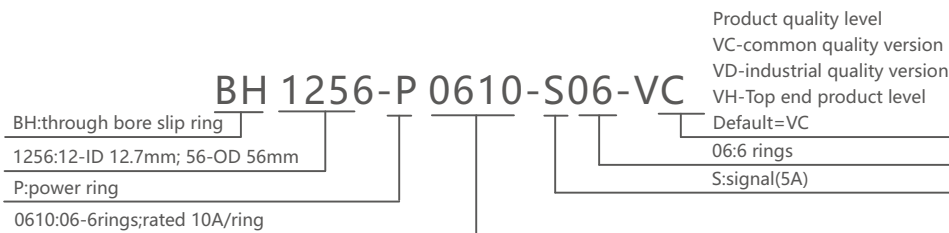
Product images



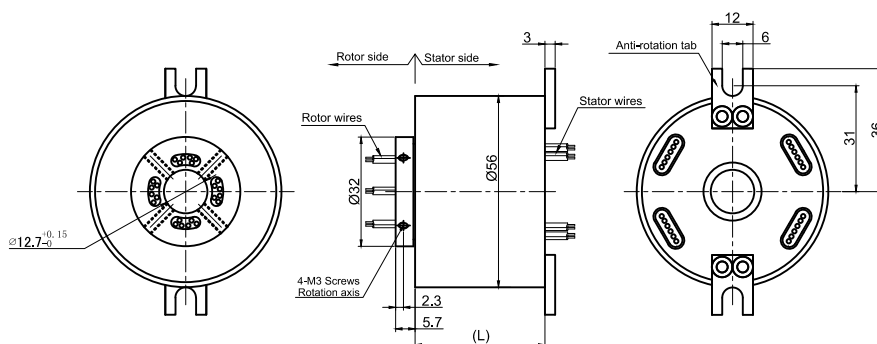
The pictures are for reference only

As the signal pathway increases or the combination of light and electricity results in changes in the appearance and size of the product, the actual product shall prevail.

Part# Explanation



Dimensions



BH1256 Series Parts# List

Part#	10A	Signal or 5A	Length-L (mm)
BH1256-S02	0	2	26.8
BH1256-P0210	2	0	26.8
BH1256-S03	0	3	29.6
BH1256-P0310	3	0	29.6
BH1256-S06	0	6	38
BH1256-P0210-S04	2	4	38
BH1256-P0410-S02	4	2	38
BH1256-P0610	6	0	38
BH1256-S12	0	12	54.8
BH1256-P0210-S10	2	10	54.8
BH1256-P0310-S09	3	9	54.8
BH1256-P0610-S06	6	6	54.8
BH1256-P0810-S04	8	4	54.8
BH1256-P1010-S02	10	2	54.8
BH1256-P1210	12	0	54.8
BH1256-S18	0	18	71.5
BH1256-P0210-S16	2	16	71.5
BH1256-P0410-S14	4	14	71.5
BH1256-P0610-S12	6	12	71.5
BH1256-P0810-S10	8	10	71.5
BH1256-P1010-S08	10	8	71.5
BH1256-P1210-S06	12	6	71.5
BH1256-S24	0	24	88.4

BH1256 Series Parts# List

Part#	10A	Signal or 5A	Length-L (mm)
BH1256-P0410-S20	4	20	88.4
BH1256-P0610-S18	6	18	88.4
BH1256-S30	0	30	105.2
BH1256-P0210-S28	2	28	105.2
BH1256-P0410-S26	4	26	105.2
BH1256-S36	0	36	125
BH1256-P0410-S32	4	32	125
BH1256-S42	0	42	141.8
BH1256-S48	0	48	158.6

Note: N channels 10A rings parallel can be used as 1 channel N*10A current. For example: 2 rings 10A parallel could be used as 1 wires 20A. 10A,5A (signal) can combine freely in any way.It can be customized based on standard slip ring,please contact customer service for more detmalls.

Electrical parameters

Project	Power	Siana
Rated Voltage	0~380VAC/VDC	0~380VAC/VDC
Insulation Resistance	≥1000MΩ/500VDC	≥1000MΩ/500VDC
Lead Wires	AWG17#Teflon	AWG22#Teflon
Lead Length	Standard 300mm(adjustable)	
Insulation Strength	500VAC@50Hz, 60s	
Electrical Noise	<0.01Ω	

Mechanical Data

Project	Value
Working Life	See Product Quality Level Table
Rotating Speed	See Product Quality Level Table
Working Temperature	-30°C~80°C
Operating Humidity	0~85% RH
Contact Material	See Product Quality Level Table
Housing Material	Aluminium Alloy
Torque	0.1N.m, +0.03N.m/6rings
Protection Grade	IP51

Product Quality Level Table

Products Level Code	Max Rotating Speed	Working Life	Contact Material
VC	250RPM	20 Million Revs	Precious Metal
VD	500RPM	80 Million Revs	Gold-plated
VH	1000RPM	150 Million Revs	Gold-Gold

Lead Wires Color Code

Ring	1	2	3	4	5	6	7	8	9	10	11	12
Color	BLK	RED	YEL	GRN	BLU	WHT	BLK	RED	YEL	GRN	BLU	WHT

(6 wires for 1 group color, from 7-12, repeat the same color as 1...6, indicated with number code pipe)

Options For Custom Slip Ring

Note: Below special demands can be customized. According, the delivery date will be extended 3 to 15 days; also the cost will be increased 30% to 50%. Most of our basic parts are standard and modular, which can save the cost and lead time.

1. Cable exit way and cable length can be customized for both rotor and stator.
2. Because of the structure limitation, length/height/OD can be customized on your request.
3. Support current or signal up to 200 rings.
4. Aviation plug, terminal and heat-shrink tube are optional.
5. Hybrid slip ring for Yaskawa/Panasonic/Siemens servo control signal, power line and encoder line.
6. Support mixed high speed data transmission (including Ethernet, USB, RS232, RS485, Profibus, CanBUS, CANOPEN, DeviceNET, CC-LINK, ProfiNET, EtherCAT, etc.)
7. Can combine temperature control signal with thermocouple signal.
8. Special environment can be customized, such as quakeproof, high temperature, etc.
9. Hybrid Pneumatic/hydraulic and electric slip ring can be mixed.
10. High temperature can up to 500 degrees.
11. High pressure can up to 110KV
12. Rotating speed can up to 10000RPM
13. Maximum current can up to 5000 amperes.1Military grade
14. Optional for underwater IP65, Ip68.
15. Optional for stainless steel housing

Technical support: Info@orbinexus.com

BH1256F SERIES

BH1256F series provides a 12.7mm through-bore for routing of hydraulic or pneumatic lines or hydraulic or pneumatic rotating shaft installation, and a compact 56mm outside diameter, features long life, fiber brush contact technology for ultimate performance in many challenging applications. BH1256F series are standard, off-the-shelf products, Color-coded lead wires are used on both the stator and rotor for simplified electrical connections. It can transmit signal (2A), 10A, multiple 10A current when 360° degree free rotating.

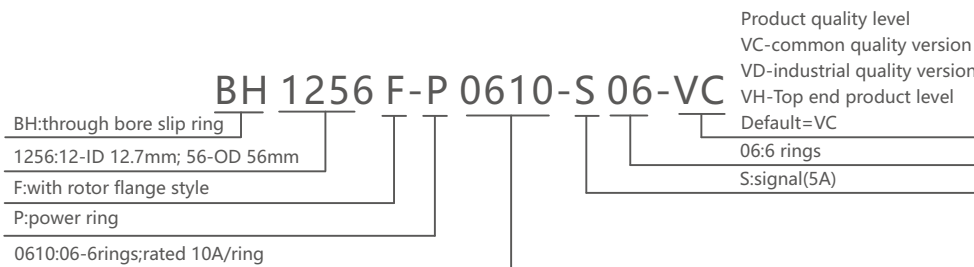
Product images



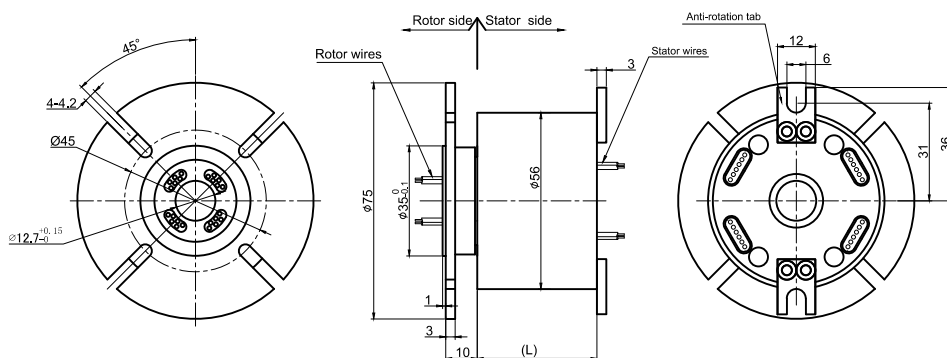
The pictures are for reference only

As the signal pathway increases or the combination of light and electricity results in changes in the appearance and size of the product, the actual product shall prevail.

Part# Explanation



Dimensions



BH1256F Series Parts# List

Part#	10A	Signal or 5A	Length-L (mm)
BH1256F-S02	0	2	26.8
BH1256F-P0210	2	0	26.8
BH1256F-S03	0	3	29.6
BH1256F-P0310	3	0	29.6
BH1256F-S06	0	6	38
BH1256F-P0210-S04	2	4	38
BH1256F-P0410-S02	4	2	38
BH1256F-P0610	6	0	38
BH1256F-S12	0	12	54.8
BH1256F-P0210-S10	2	10	54.8
BH1256F-P0310-S09	3	9	54.8
BH1256F-P0610-S06	6	6	54.8
BH1256F-P0810-S04	8	4	54.8
BH1256F-P1010-S02	10	2	54.8
BH1256F-P1210	12	0	54.8
BH1256F-S18	0	10	71.5
BH1256F-P0210-S16	2	16	71.5
BH1256F-P0410-S14	4	14	71.5
BH1256F-P0610-S12	6	12	71.5
BH1256F-P0810-S10	8	10	71.5
BH1256F-P1010-S08	10	8	71.5
BH1256F-P1210-S06	12	6	71.5
BH1256F-S24	0	24	88.4

BH1256F Series Parts# List

Part#	10A	Signal or 5A	Length-L (mm)
BH1256F-P0410-S20	4	20	88.4
BH1256F-P0610-S18	6	18	88.4
BH1256F-S30	0	30	105.2
BH1256F-P0210-S28	2	28	105.2
BH1256F-P0410-S26	4	26	105.2
BH1256F-S36	0	36	125
BH1256F-P0410-S32	4	32	125
BH1256F-S42	0	42	141.8
BH1256F-S48	0	48	158.6

Note: N channels 10A rings parallel can be used as 1 channel N*10A current. For example: 2 rings 10A parallel could be used as 1 wires 20A. 10A,5A (signal) can combine freely in any way.It can be customized based on standard slip ring,please contact customer service for more detmalls.

Electrical parameters

Project	Power	Siana
Rated Voltage	0~440VAC/VDC	0~440VAC/VDC
Insulation Resistance	≥1000MΩ/500VDC	≥1000MΩ/500VDC
Lead Wires	AWG17#Teflon	AWG22#Teflon
Lead Length	Standard 300mm(adjustable)	
Insulation Strength	500VAC@50Hz, 60s	
Electrical Noise	<0.01Ω	

Mechanical Data

Project	Value
Working Life	See Product Quality Level Table
Rotating Speed	See Product Quality Level Table
Working Temperature	-30°C~80°C
Operating Humidity	0~85% RH
Contact Material	See Product Quality Level Table
Housing Material	Aluminium Alloy
Torque	0.1N.m, +0.03N.m/6rings
Protection Grade	IP51

Product Quality Level Table

Products Level Code	Max Rotating Speed	Working Life	Contact Material
VC	250RPM	20 Million Revs	Precious Metal
VD	600RPM	80 Million Revs	Gold-plated
VH	1000RPM	150 Million Revs	Gold-Gold

Lead Wires Color Code

Ring	1	2	3	4	5	6	7	8	9	10	11	12
Color	BLK	RED	YEL	GRN	BLU	WHT	BLK	RED	YEL	GRN	BLU	WHT

(6 wires for 1 group color, from 7-12, repeat the same color as 1...6, indicated with number code pipe)

Options For Custom Slip Ring

Note: Below special demands can be customized. According, the delivery date will be extended 3 to 15 days; also the cost will be increased 30% to 50%. Most of our basic parts are standard and modular, which can save the cost and lead time.

1. Cable exit way and cable length can be customized for both rotor and stator.
2. Because of the structure limitation, length/height/OD can be customized on your request.
3. Support current or signal up to 200 rings.
4. Aviation plug, terminal and heat-shrink tube are optional.
5. Hybrid slip ring for Yaskawa/Panasonic/Siemens servo control signal, power line and encoder line.
6. Support mixed high speed data transmission (including Ethernet, USB, RS232, RS485, Profibus, CanBUS, CANOPEN, DeviceNET, CC-LINK, ProfiNET, EtherCAT, etc.)
7. Can combine temperature control signal with thermocouple signal.
8. Special environment can be customized, such as quakeproof, high temperature, etc.
9. Hybrid Pneumatic/hydraulic and electric slip ring can be mixed.
10. High temperature can up to 500 degrees.
11. High pressure can up to 110KV
12. Rotating speed can up to 10000RPM
13. Maximum current can up to 5000 amperes.1Military grade
14. Optional for underwater IP65, Ip68.
15. Optional for stainless steel housing

Technical support: Info@orbinexus.com

BH2056 SERIES

BH2056 series provides a 12.7mm through-bore for routing of hydraulic or pneumatic lines or hydraulic or pneumatic rotating shaft installation, and a compact 56mm outside diameter, features long life, fiber brush contact technology for ultimate performance in many challenging applications. BH2056 series are standard, off-the-shelf products, Color-coded lead wires are used on both the stator and rotor for simplified electrical connections. It can transmit signal (2A), 10A, multiple 10A current when 360° degree free rotating.

Product images



The pictures are for reference only

As the signal pathway increases or the combination of light and electricity results in changes in the appearance and size of the product, the actual product shall prevail.

Part# Explanation

BH 2056 - P 0610

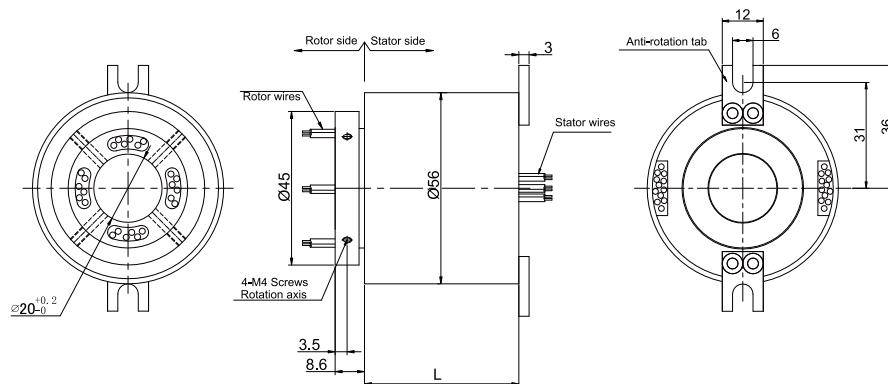
BH: through bore slip ring

2056:20-ID 20mm;56-OD 56mm

P:power ring

0610:06-6rings;rated 10A/ring

Dimensions



BH2056 Series Parts# List

Part#	10A	Signal or 5A	Length-L (mm)
BH2056-P0610	6	0	45.2
BH2056-P1210	12	0	65.6
BH2056-S09	0	9	45.2
BH2056-S18	0	18	65.6

Note: N channels 10A rings parallel can be used as 1 channel N*10A current. For example: 2 rings 10A parallel could be used as 1 wires 20A. 10A,5A (signal) can combine freely in any way.It can be customized based on standard slip ring,please contact customer service for more detmails.

Electrical parameters

Project	Power	Siana
Rated Voltage	0~440VAC/VDC	0~440VAC/VDC
Insulation Resistance	$\geq 1000M\Omega/500VDC$	$\geq 1000M\Omega/500VDC$
Lead Wires	AWG17#Teflon	AWG22#Teflon
Lead Length	Standard 300mm(adjustable)	
Insulation Strength	800VAC@50Hz, 60s	
Electrical Noise	<0.01 Ω	

Mechanical Data

Project	Value
Working Life	See Product Quality Level Table
Rotating Speed	See Product Quality Level Table
Working Temperature	-30°C~80°C
Operating Humidity	0~85% RH
Contact Material	See Product Quality Level Table
Housing Material	Aluminium Alloy
Torque	0.1N.m, +0.03N.m/6rings
Protection Grade	IP51

Product Quality Level Table

Products Level Code	Max Rotating Speed	Working Life	Contact Material
VC	250RPM	10 Million Revs	Precious Metal
VD	600RPM	20 Million Revs	Gold-plated
VH	1000RPM	30 Million Revs	Gold-Gold

Lead Wires Color Code

Ring	1	2	3	4	5	6	7	8	9	10	11	12
Color	BLK	RED	YEL	GRN	BLU	WHT	BLK	RED	YEL	GRN	BLU	WHT

(6 wires for 1 group color, from 7-12, repeat the same color as 1...6, indicated with number code pipe)

Options For Custom Slip Ring

Note: Below special demands can be customized. According, the delivery date will be extended 3 to 15 days; also the cost will be increased 30% to 50%. Most of our basic parts are standard and modular, which can save the cost and lead time.

1. Cable exit way and cable length can be customized for both rotor and stator.
2. Because of the structure limitation, length/height/OD can be customized on your request.
3. Support current or signal up to 200 rings.
4. Aviation plug, terminal and heat-shrink tube are optional.
5. Hybrid slip ring for Yaskawa/Panasonic/Siemens servo control signal, power line and encoder line.
6. Support mixed high speed data transmission (including Ethernet, USB, RS232, RS485, Profibus, CanBUS, CANOPEN, DeviceNET, CC-LINK, ProfiNET, EtherCAT, etc.)
7. Can combine temperature control signal with thermocouple signal.
8. Special environment can be customized, such as quakeproof, high temperature, etc.
9. Hybrid Pneumatic/hydraulic and electric slip ring can be mixed.
10. High temperature can up to 500 degrees.
11. High pressure can up to 110KV
12. Rotating speed can up to 10000RPM
13. Maximum current can up to 5000 amperes.1Military grade
14. Optional for underwater IP65, Ip68.
15. Optional for stainless steel housing

Technical support: Info@orbinexus.com

BH1286 SERIES

BH1286 series provides a 12.7mm through-bore for routing of hydraulic or pneumatic lines or hydraulic or pneumatic rotating shaft installation, and a compact 86mm outside diameter, features long life, fiber brush contact technology for ultimate performance in many challenging applications. Bh1286 series are standard, off-the-shelf products, Color-coded lead wires are used on both the stator and rotor for simplified electrical connections. It can transmit signal (2A), 10A, multiple 10A current when 360° degree free rotating.

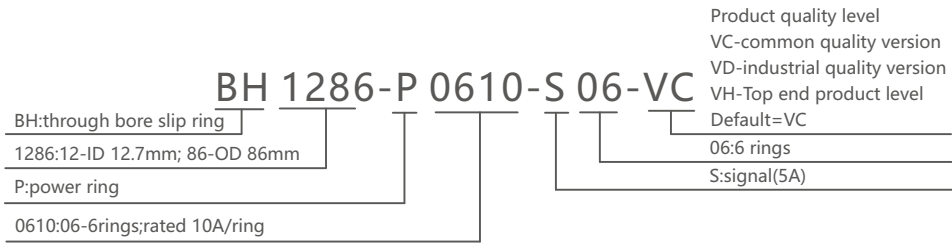
Product images



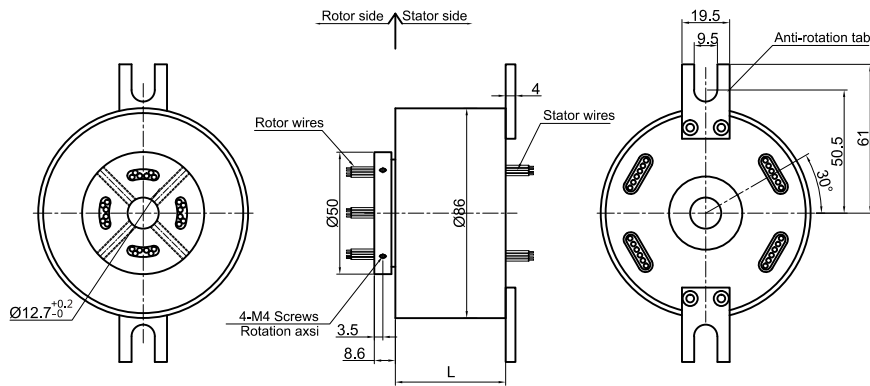
The pictures are for reference only

As the signal pathway increases or the combination of light and electricity results in changes in the appearance and size of the product, the actual product shall prevail.

Part# Explanation



Dimensions



BH1286 Series Parts# List

Part#	10A	Signal or 5A	Length-L (mm)
BH1286-S02	0	2	31.6
BH1286-P0210	2	0	31.6
BH1286-S03	0	3	35
BH1286-P0310	3	0	35
BH1286-S06	0	6	45.2
BH1286-P0210-S04	2	4	45.2
BH1286-P0410-S02	4	2	45.2
BH1286-P0610	6	0	45.2
BH1286-S12	0	12	65.6
BH1286-P0210-S10	2	10	65.6
BH1286-P0310-S09	3	9	65.6
BH1286-P0610-S06	6	6	65.6
BH1286-P0810-S04	8	4	65.6
BH1286-P1010-S02	10	2	65.6
BH1286-P1210	12	0	65.6
BH1286-S18	0	18	86
BH1286-P0210-S16	2	16	86
BH1286-P0410-S14	4	14	86
BH1286-P0610-S12	6	12	86
BH1286-P0810-S10	8	10	86
BH1286-P1010-S08	10	8	86
BH1286-P1210-S06	12	6	86
BH1286-P1410-S04	14	4	86

BH1286 Series Parts# List

Part#	10A	Signal or 5A	Length-L (mm)
BH1286-P1610-S02	16	2	86
BH1286-S24	0	24	106.4
BH1286-P0410-S20	4	20	106.4
BH1286-P0610-S18	6	18	106.4
BH1286-P1210-S12	12	12	106.4
BH1286-P1810-S06	18	6	106.4
BH1286-P2410	24	0	106.4
BH1286-S30	0	30	126.8
BH1286-P0610-S24	6	24	126.8
BH1286-P1210-S18	12	18	126.8
BH1286-P1810-S12	18	12	126.8
BH1286-P2410-S06	24	6	126.8
BH1286-P3010	30	0	126.8
BH1286-S36	0	36	150.2
BH1286-P0610-S30	6	30	150.2
BH1286-P1210-S24	12	24	150.2
BH1286-P3610	36	0	150.2
BH1286-S42	0	42	170.6
BH1286-P0610-S36	6	36	170.6
BH1286-P1210-S30	12	30	170.6
BH1286-P4210	42	0	170.6
BH1286-S48	0	48	193.2
BH1286-P0610-S42	6	42	193.2
BH1286-P1210-S36	12	36	193.2
BH1286-P1810-S30	18	30	193.2
BH1286-P2410-S24	24	24	193.2
BH1286-P4810	48	0	193.2
BH1286-S60	0	60	234
BH1286-P0610-S54	6	54	234
BH1286-P0910-S51	9	51	234
BH1286-P1210-S48	12	48	234
BH1286-P2410-S36	24	36	234
BH1286-S72	0	72	277.8
BH1286-P1210-S60	12	60	277.8
BH1286-P2410-S48	24	48	277.8
BH1286-P3610-S36	36	36	277.8
BH1286-S84	0	84	318.6
BH1286-P1210-S72	12	72	318.6
BH1286-P2410-S60	24	60	318.6
BH1286-P3610-S48	36	48	318.6
BH1286-S96	0	96	359.4
BH1286-P1210-S84	12	84	359.4
BH1286-P2410-S72	24	72	359.4

Note: N channels 10A rings parallel can be used as 1 channel N*10A current. For example: 2 rings 10A parallel could be used as 1 wires 20A. 10A,5A (signal) can combine freely in any way.It can be customized based on standard slip ring,please contact customer service for more detmails.

Electrical parameters

Project	Power	Siana
Rated Voltage	0~440VAC/VDC	0~440VAC/VDC
Insulation Resistance	≥1000MΩ/5000VDC	≥1000MΩ/500VDC
Lead Wires	AWG17#Teflon	AWG22#Teflon
Lead Length	Standard 300mm(adjustable)	
Insulation Strength	500VAC@50Hz, 60s	
Electrical Noise	<0.01Ω	

Mechanical Data

Project	Value
Working Life	See Product Quality Level Table
Rotating Speed	See Product Quality Level Table
Working Temperature	-30°C~80°C
Operating Humidity	0~85% RH
Contact Material	See Product Quality Level Table
Housing Material	Aluminium Alloy / Engineering plastic
Torque	0.1N.m, +0.03N.m/6rings
Protection Grade	IP51

Product Quality Level Table

Products Level Code	Max Rotating Speed	Working Life	Contact Material
VC	250RPM	10 Million Revs	Precious Metal
VD	600RPM	20 Million Revs	Gold-plated
VH	1000RPM	30 Million Revs	Gold-Gold

Lead Wires Color Code

Ring	1	2	3	4	5	6	7	8	9	10	11	12
Color	BLK	RED	YEL	GRN	BLU	WHT	BLK	RED	YEL	GRN	BLU	WHT

(6 wires for 1 group color, from 7-12, repeat the same color as 1...6, indicated with number code pipe)

Options For Custom Slip Ring

Note: Below special demands can be customized. According, the delivery date will be extended 3 to 15 days; also the cost will be increased 30% to 50%. Most of our basic parts are standard and modular, which can save the cost and lead time.

1. Cable exit way and cable length can be customized for both rotor and stator.
2. Because of the structure limitation, length/height/OD can be customized on your request.
3. Support current or signal up to 200 rings.
4. Aviation plug, terminal and heat-shrink tube are optional.
5. Hybrid slip ring for Yaskawa/Panasonic/Siemens servo control signal, power line and encoder line.
6. Support mixed high speed data transmission (including Ethernet, USB, RS232, RS485, Profibus, CanBUS, CANOPEN, DeviceNET, CC-LINK, ProfiNET, EtherCAT, etc.)

7. Can combine temperature control signal with thermocouple signal.
 8. Special environment can be customized, such as quakeproof, high temperature, etc.
 9. Hybrid Pneumatic/hydraulic and electric slip ring can be mixed.
 10. High temperature can up to 500 degrees.
 11. High pressure can up to 110KV
 12. Rotating speed can up to 10000RPM
 13. Maximum current can up to 5000 amperes.1Military grade
 14. Optional for underwater IP65, Ip68.
 15. Optional for stainless steel housing
- Technical support: Info@orbinexus.com

BH2069 SERIES

BH2069 series provides a 20mm through-bore for routing of hydraulic or pneumatic lines or hydraulic or pneumatic rotating shaft installation, and a compact 69mm outside diameter, features long life, fiber brush contact technology for ultimate performance in many challenging applications. Bh2069 series are standard, off-the-shelf products, Color-coded lead wires are used on both the stator and rotor for simplified electrical connections. It can transmit signal (2A), 10A, multiple 10A current when 360° degree free rotating.

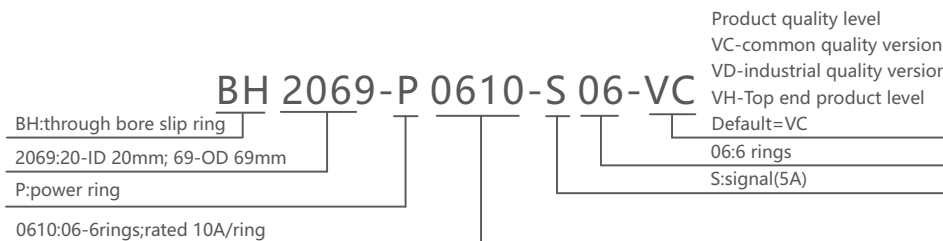
Product images



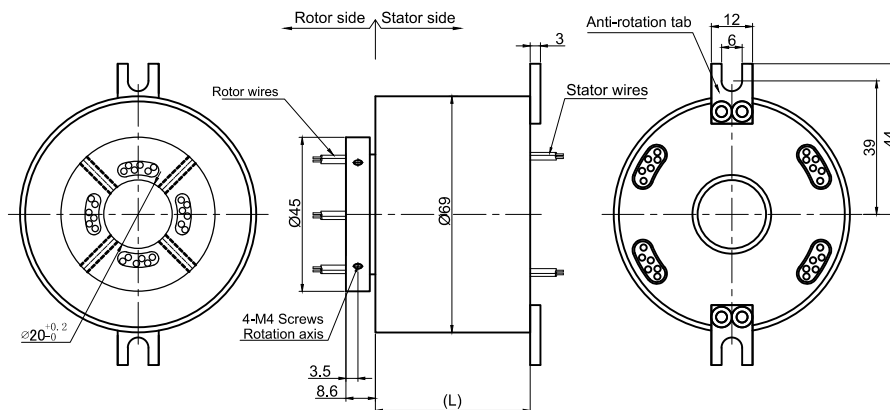
The pictures are for reference only

As the signal pathway increases or the combination of light and electricity results in changes in the appearance and size of the product, the actual product shall prevail.

Part# Explanation



Dimensions



BH2069 Series Parts# List

Part#	10A	Signal or 5A	Length-L (mm)
BH2069-S02	0	2	31.6
BH2069-P0210	2	0	31.6
BH2069-S03	0	3	35
BH2069-P0310	3	0	35
BH2069-S06	0	6	45.2
BH2069-P0210-S04	2	4	45.2
BH2069-P0410-S02	4	2	45.2
BH2069-P0610	6	0	45.2
BH2069-S12	0	12	65.6
BH2069-P0210-S10	2	10	65.6
BH2069-P0310-S09	3	9	65.6
BH2069-P0610-S06	6	6	65.6
BH2069-P0810-S04	8	4	65.6
BH2069-P1010-S02	10	2	65.6
BH2069-P1210	12	0	65.6
BH2069-S18	0	18	86
BH2069-P0210-S16	2	16	86
BH2069-P0410-S14	4	14	86
BH2069-P0610-S12	6	12	86
BH2069-P0810-S10	8	10	86
BH2069-P1010-S08	10	8	86
BH2069-P1210-S06	12	6	86
BH2069-P1410-S04	14	4	86

BH2069 Series Parts# List

Part#	10A	Signal or 5A	Length-L (mm)
BH2069-P1610-S02	16	2	86
BH2069-S24	0	24	106.4
BH2069-P0410-S20	4	20	106.4
BH2069-P0610-S18	6	18	106.4
BH2069-P1210-S12	12	12	106.4
BH2069-P1810-S06	18	6	106.4
BH2069-P2410	24	0	106.4
BH2069-S30	0	30	126.8
BH2069-P0210-S28	2	28	126.8
BH2069-P0410-S26	4	26	126.8
BH2069-P0610-S24	6	24	126.8
BH2069-S36	0	36	150.2
BH2069-P0410-S32	4	32	150.2
BH2069-P0610-S30	6	30	150.2
BH2069-S42	0	42	170.6
BH2069-P0410-S38	4	38	170.6
BH2069-S48	0	48	193.2

Note: N channels 10A rings parallel can be used as 1 channel N*10A current. For example: 2 rings 10A parallel could be used as 1 wires 20A. 10A,5A (signal) can combine freely in any way.It can be customized based on standard slip ring,please contact customer service for more detmails.

Electrical parameters

Project	Power	Siana
Rated Voltage	0~440VAC/VDC	0~440VAC/VDC
Insulation Resistance	≥1000MΩ/5000VDC	≥1000MΩ/500VDC
Lead Wires	AWG17#Teflon	AWG22#Teflon
Lead Length	Standard 300mm(adjustable)	
Insulation Strength	800VAC@50Hz, 60s	
Electrical Noise	<0.01Ω	

Mechanical Data

Project	Value
Working Life	See Product Quality Level Table
Rotating Speed	See Product Quality Level Table
Working Temperature	-30°C~80°C
Operating Humidity	0~85% RH
Contact Material	See Product Quality Level Table
Housing Material	Aluminium Alloy / Engineering plastic
Torque	0.1N.m, +0.03N.m/6rings
Protection Grade	IP51

Product Quality Level Table

Products Level Code	Max Rotating Speed	Working Life	Contact Material
VC	250RPM	10 Million Revs	Precious Metal
VD	600RPM	20 Million Revs	Gold-plated
VH	1000RPM	30 Million Revs	Gold-Gold

Lead Wires Color Code

Ring	1	2	3	4	5	6	7	8	9	10	11	12
Color	BLK	RED	YEL	GRN	BLU	WHT	BLK	RED	YEL	GRN	BLU	WHT

(6 wires for 1 group color, from 7-12, repeat the same color as 1...6, indicated with number code pipe)

Options For Custom Slip Ring

Note: Below special demands can be customized. According, the delivery date will be extended 3 to 15 days; also the cost will be increased 30% to 50%. Most of our basic parts are standard and modular, which can save the cost and lead time.

1. Cable exit way and cable length can be customized for both rotor and stator.
2. Because of the structure limitation, length/height/OD can be customized on your request.
3. Support current or signal up to 200 rings.
4. Aviation plug, terminal and heat-shrink tube are optional.
5. Hybrid slip ring for Yaskawa/Panasonic/Siemens servo control signal, power line and encoder line.
6. Support mixed high speed data transmission (including Ethernet, USB, RS232, RS485, Profibus, CanBUS, CANOPEN, DeviceNET, CC-LINK, ProfiNET, EtherCAT, etc.)
7. Can combine temperature control signal with thermocouple signal.
8. Special environment can be customized, such as quakeproof, high temperature, etc.
9. Hybrid Pneumatic/hydraulic and electric slip ring can be mixed.
10. High temperature can up to 500 degrees.
11. High pressure can up to 110KV
12. Rotating speed can up to 10000RPM
13. Maximum current can up to 5000 amperes. 1 Military grade
14. Optional for underwater IP65, Ip68.
15. Optional for stainless steel housing

Technical support: Info@orbinexus.com

BH2069F SERIES

BH2069F series provides a 20mm through-bore for routing of hydraulic or pneumatic lines or hydraulic or pneumatic rotating shaft installation, and a compact 69mm outside diameter, features long life, fiber brush contact technology for ultimate performance in many challenging applications. BH2069F series are standard, off-the-shelf products, Color-coded lead wires are used on both the stator and rotor for simplified electrical connections. It can transmit signal (2A), 10A, multiple 10A current when 360° degree free rotating.

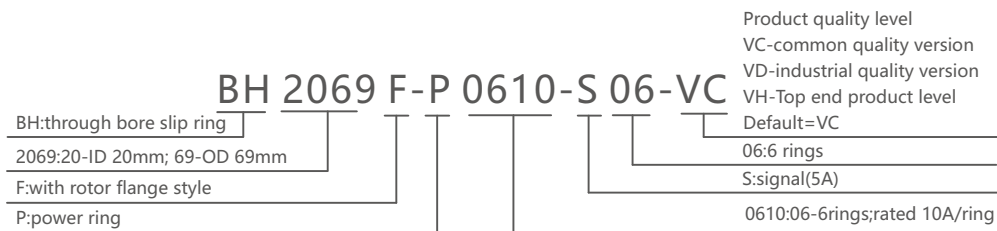
Product images



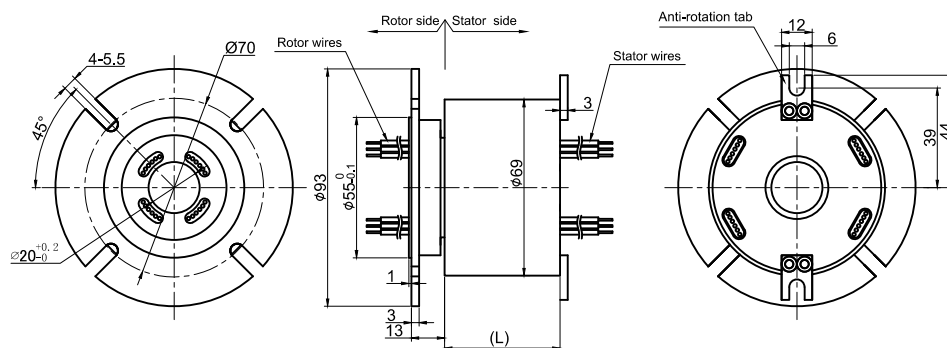
The pictures are for reference only

As the signal pathway increases or the combination of light and electricity results in changes in the appearance and size of the product, the actual product shall prevail.

Part# Explanation



Dimensions



BH2069F Series Parts# List

Part#	10A	Signal or 5A	Length-L (mm)
BH2069F-S02	0	2	31.6
BH2069F-P0210	2	0	31.6
BH2069F-S03	0	3	35
BH2069F-P0310	3	0	35
BH2069F-S06	0	6	45.2
BH2069F-P0210-S04	2	4	45.2
BH2069F-P0410-S02	4	2	45.2
BH2069F-P0610	6	0	45.2
BH2069F-S12	0	12	65.6
BH2069F-P0210-S10	2	10	65.6
BH2069F-P0310-S09	3	9	65.6
BH2069F-P0610-S06	6	6	65.6
BH2069F-P0810-S04	8	4	65.6
BH2069F-P1010-S02	10	2	65.6
BH2069F-P1210	12	0	65.6
BH2069F-S18	0	18	86
BH2069F-P0210-S16	2	16	86
BH2069F-P0410-S14	4	14	86
BH2069F-P0610-S12	6	12	86
BH2069F-P0810-S10	8	10	86
BH2069F-P1010-S08	10	8	86
BH2069F-P1210-S06	12	6	86
BH2069F-P1410-S04	14	4	86

BH2069F Series Parts# List

Part#	10A	Signal or 5A	Length-L (mm)
BH2069F-P1610-S02	16	2	86
BH2069F-S24	0	24	106.4
BH2069F-P0410-S20	4	20	106.4
BH2069F-P0610-S18	6	18	106.4
BH2069F-P1210-S12	12	12	106.4
BH2069F-P1810-S06	18	6	106.4
BH2069F-P2410	24	0	106.4
BH2069F-S30	0	30	126.8
BH2069F-P0210-S28	2	28	126.8
BH2069F-P0410-S26	4	26	126.8
BH2069F-P0610-S24	6	24	126.8
BH2069F-S36	0	36	150.2
BH2069F-P0410-S32	4	32	150.2
BH2069F-P0610-S30	6	30	150.2
BH2069F-S42	0	42	170.6
BH2069F-P0410-S38	4	38	170.6
BH2069F-S48	0	48	193.2

Note: N channels 10A rings parallel can be used as 1 channel N*10A current. For example: 2 rings 10A parallel could be used as 1 wires 20A. 10A,5A (signal) can combine freely in any way.It can be customized based on standard slip ring,please contact customer service for more detmails.

Electrical parameters

Project	Power	Siana
Rated Voltage	0~440VAC/VDC	0~440VAC/VDC
Insulation Resistance	≥1000MΩ/500VDC	≥1000MΩ/500VDC
Lead Wires	AWG17#Teflon	AWG22#Teflon
Lead Length	Standard 300mm(adjustable)	
Insulation Strength	800VAC@50Hz, 60s	
Electrical Noise	<0.01Ω	

Mechanical Data

Project	Value
Working Life	See Product Quality Level Table
Rotating Speed	See Product Quality Level Table
Working Temperature	-30°C~80°C
Operating Humidity	0~85% RH
Contact Material	See Product Quality Level Table
Housing Material	Aluminium Alloy / Engineering plastic
Torque	0.1N.m, +0.03N.m/6rings
Protection Grade	IP51

Product Quality Level Table

Products Level Code	Max Rotating Speed	Working Life	Contact Material
VC	250RPM	20 Million Revs	Precious Metal
VD	600RPM	80 Million Revs	Gold-plated
VH	1000RPM	150 Million Revs	Gold-Gold

Lead Wires Color Code

Ring	1	2	3	4	5	6	7	8	9	10	11	12
Color	BLK	RED	YEL	GRN	BLU	WHT	BLK	RED	YEL	GRN	BLU	WHT

(6 wires for 1 group color, from 7-12, repeat the same color as 1...6, indicated with number code pipe)

Options For Custom Slip Ring

Note: Below special demands can be customized. According, the delivery date will be extended 3 to 15 days; also the cost will be increased 30% to 50%. Most of our basic parts are standard and modular, which can save the cost and lead time.

1. Cable exit way and cable length can be customized for both rotor and stator.
2. Because of the structure limitation, length/height/OD can be customized on your request.
3. Support current or signal up to 200 rings.
4. Aviation plug, terminal and heat-shrink tube are optional.
5. Hybrid slip ring for Yaskawa/Panasonic/Siemens servo control signal, power line and encoder line.
6. Support mixed high speed data transmission (including Ethernet, USB, RS232, RS485, Profibus, CanBUS, CANOPEN, DeviceNET, CC-LINK, ProfiNET, EtherCAT, etc.)
7. Can combine temperature control signal with thermocouple signal.
8. Special environment can be customized, such as quakeproof, high temperature, etc.
9. Hybrid Pneumatic/hydraulic and electric slip ring can be mixed.
10. High temperature can up to 500 degrees.
11. High pressure can up to 110KV
12. Rotating speed can up to 10000RPM
13. Maximum current can up to 5000 amperes.1Military grade
14. Optional for underwater IP65, Ip68.
15. Optional for stainless steel housing

Technical support: Info@orbinexus.com

BH2578 SERIES

BH2578 series provides a 25.4mm through-bore for routing of hydraulic or pneumatic lines or hydraulic or pneumatic rotating shaft installation, and a compact 78mm outside diameter, features long life, fiber brush contact technology for ultimate performance in many challenging applications. Bh2578 series are standard, off-the-shelf products, Color-coded lead wires are used on both the stator and rotor for simplified electrical connections. It can transmit signal (2A), 10A, multiple 10A current when 360° degree free rotating.

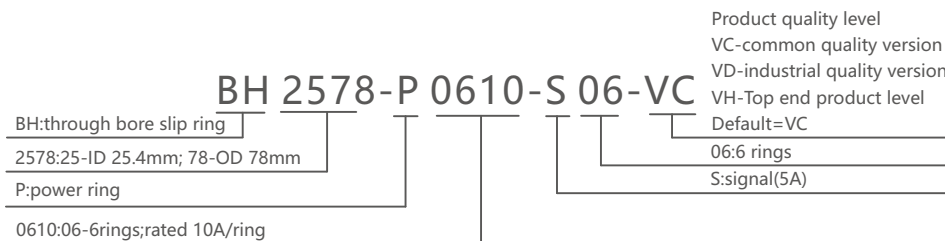
Product images



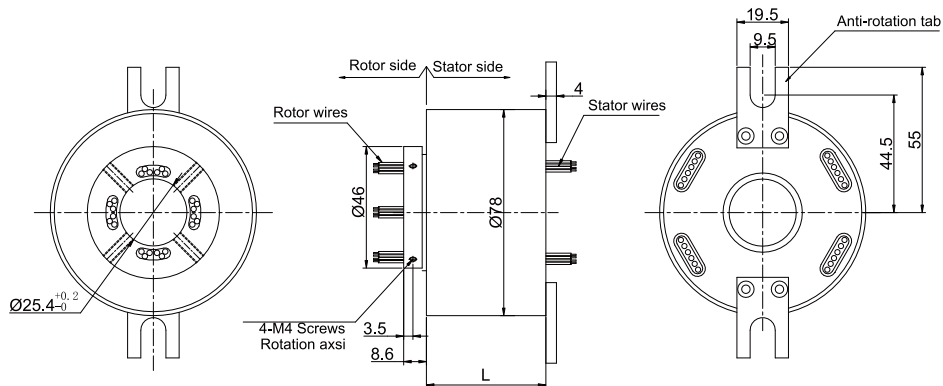
The pictures are for reference only

As the signal pathway increases or the combination of light and electricity results in changes in the appearance and size of the product, the actual product shall prevail.

Part# Explanation



Dimensions



BH2578 Series Parts# List

Part#	10A	Signal or 5A	Length-L (mm)
BH2578-S02	0	2	31.6
BH2578-P0210	2	0	31.6
BH2578-S03	0	3	35
BH2578-P0310	3	0	35
BH2578-S06	0	6	45.2
BH2578-P0210-S04	2	4	45.2
BH2578-P0410-S02	4	2	45.2
BH2578-P0610	6	0	45.2
BH2578-S12	0	12	65.6
BH2578-P0210-S10	2	10	65.6
BH2578-P0310-S09	3	9	65.6
BH2578-P0610-S06	6	6	65.6
BH2578-P0810-S04	8	4	65.6
BH2578-P1010-S02	10	2	65.6
BH2578-P1210	12	0	65.6
BH2578-S18	0	18	86
BH2578-P0210-S16	2	16	86
BH2578-P0410-S14	4	14	86
BH2578-P0610-S12	6	12	86
BH2578-P0810-S10	8	10	86
BH2578-P1010-S08	10	8	86
BH2578-P1210-S06	12	6	86
BH2578-P1410-S04	14	4	86

BH2578 Series Parts# List

Part#	10A	Signal or 5A	Length-L (mm)
BH2578-P1610-S02	16	2	86
BH2578-S24	0	24	106.4
BH2578-P0410-S20	4	20	106.4
BH2578-P0610-S18	6	18	106.4
BH2578-P1210-S12	12	12	106.4
BH2578-P1810-S06	18	6	106.4
BH2578-P2410	24	0	106.4
BH2578-S30	0	30	126.8
BH2578-P0610-S24	6	24	126.8
BH2578-P1210-S18	12	18	126.8
BH2578-P1810-S12	18	12	126.8
BH2578-P2410-S06	24	6	126.8
BH2578-P3010	30	0	126.8
BH2578-S36	0	36	150.2
BH2578-P0610-S30	6	30	150.2
BH2578-P1210-S24	12	24	150.2
BH2578-P3610	36	0	150.2
BH2578-S42	0	42	170.6
BH2578-P0610-S36	6	36	170.6
BH2578-P1210-S30	12	30	170.6
BH2578-S48	0	48	193.2
BH2578-P0610-S42	6	42	193.2
BH2578-P0910-S39	9	39	193.2
BH2578-P1210-S36	12	36	193.2
BH2578-P1810-S30	18	30	193.2
BH2578-P2410-S24	24	24	193.2
BH2578-S60	0	60	234
BH2578-P0610-S54	6	54	234
BH2578-P0910-S51	9	51	234
BH2578-P1210-S48	12	48	234
BH2578-S72	0	72	277.8

Note: N channels 10A rings parallel can be used as 1 channel N*10A current. For example: 2 rings 10A parallel could be used as 1 wires 20A. 10A,5A (signal) can combine freely in any way.It can be customized based on standard slip ring,please contact customer service for more detmails.

Electrical parameters

Project	Power	Siana
Rated Voltage	0~690VAC/VDC	0~440VAC/VDC
Insulation Resistance	≥1000MΩ/1000VDC	≥1000MΩ/500VDC
Lead Wires	AWG16#Teflon	AWG22#Teflon
Lead Length	Standard 300mm(adjustable)	
Insulation Strength	1000VAC@50Hz, 60s	
Electrical Noise	<0.01Ω	

Mechanical Data

Project	Value
Working Life	See Product Quality Level Table
Rotating Speed	See Product Quality Level Table
Working Temperature	-30°C~80°C
Operating Humidity	0~85% RH
Contact Material	See Product Quality Level Table
Housing Material	Aluminium Alloy / Engineering plastic
Torque	0.1N.m, +0.03N.m/6rings
Protection Grade	Ip51

Product Quality Level Table

Products Level Code	Max Rotating Speed	Working Life	Contact Material
VC	250RPM	20 Million Revs	Precious Metal
VD	600RPM	80 Million Revs	Gold-plated
VH	1000RPM	150 Million Revs	Gold-Gold

Lead Wires Color Code

Ring	1	2	3	4	5	6	7	8	9	10	11	12
Color	BLK	RED	YEL	GRN	BLU	WHT	BLK	RED	YEL	GRN	BLU	WHT

(6 wires for 1 group color, from 7-12, repeat the same color as 1...6, indicated with number code pipe)

Options For Custom Slip Ring

Note: Below special demands can be customized. According, the delivery date will be extended 3 to 15 days; also the cost will be increased 30% to 50%. Most of our basic parts are standard and modular, which can save the cost and lead time.

1. Cable exit way and cable length can be customized for both rotor and stator.
2. Because of the structure limitation, length/height/OD can be customized on your request.
3. Support current or signal up to 200 rings.
4. Aviation plug, terminal and heat-shrink tube are optional.
5. Hybrid slip ring for Yaskawa/Panasonic/Siemens servo control signal, power line and encoder line.
6. Support mixed high speed data transmission (including Ethernet, USB, RS232, RS485, Profibus, CanBUS, CANOPEN, DeviceNET, CC-LINK, ProfiNET, EtherCAT, etc.)
7. Can combine temperature control signal with thermocouple signal.
8. Special environment can be customized, such as quakeproof, high temperature, etc.
9. Hybrid Pneumatic/hydraulic and electric slip ring can be mixed.
10. High temperature can up to 500 degrees.
11. High pressure can up to 110KV
12. Rotating speed can up to 10000RPM
13. Maximum current can up to 5000 amperes.1Military grade
14. Optional for underwater IP65, Ip68.
15. Optional for stainless steel housing

Technical support: Info@orbinexus.com

BH2586 SERIES

BH2586 series provides a 25.4mm through-bore for routing of hydraulic or pneumatic lines or hydraulic or pneumatic rotating shaft installation, and a compact 86mm outside diameter, features long life, fiber brush contact technology for ultimate performance in many challenging applications. BH2586 series are standard, off-the-shelf products, Color-coded lead wires are used on both the stator and rotor for simplified electrical connections. It can transmit signal (2A), 10A, multiple 10A current when 360° degree free rotating.

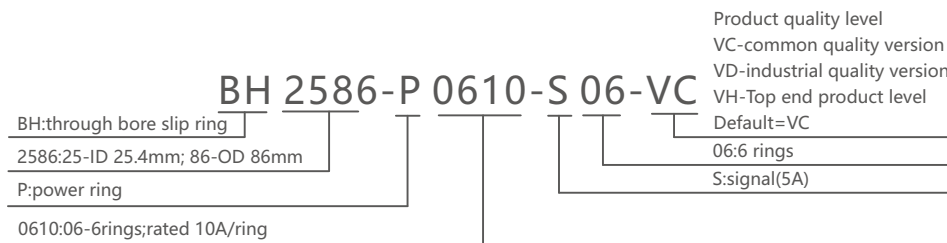
Product images



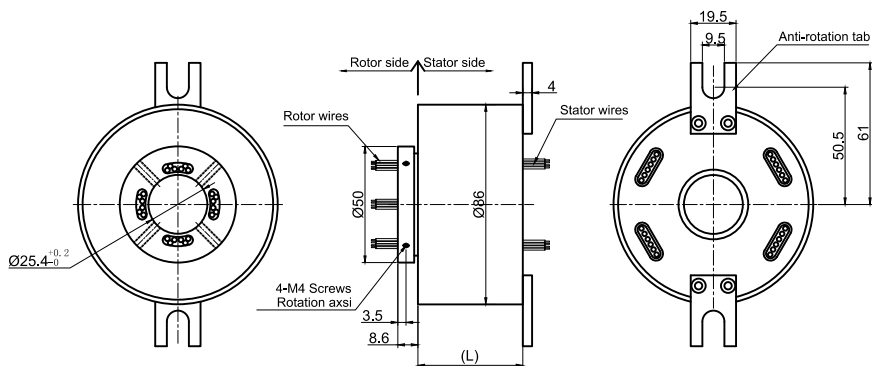
The pictures are for reference only

As the signal pathway increases or the combination of light and electricity results in changes in the appearance and size of the product, the actual product shall prevail.

Part# Explanation



Dimensions



BH2586 Series Parts# List

Part#	10A	Signal or 5A	Length-L (mm)
BH2586-S02	0	2	31.6
BH2586-P0210	2	0	31.6
BH2586-S03	0	3	35
BH2586-P0310	3	0	35
BH2586-S06	0	6	45.2
BH2586-P0210-S04	2	4	45.2
BH2586-P0410-S02	4	2	45.2
BH2586-P0610	6	0	45.2
BH2586-S12	0	12	65.6
BH2586-P0210-S10	2	10	65.6
BH2586-P0310-S09	3	9	65.6
BH2586-P0610-S06	6	6	65.6
BH2586-P0810-S04	8	4	65.6
BH2586-P1010-S02	10	2	65.6
BH2586-P1210	12	0	65.6
BH2586-S18	0	18	86
BH2586-P0210-S16	2	16	86
BH2586-P0410-S14	4	14	86
BH2586-P0610-S12	6	12	86
BH2586-P0810-S10	8	10	86
BH2586-P1010-S08	10	8	86
BH2586-P1210-S06	12	6	86
BH2586-P1410-S04	14	4	86

BH2586 Series Parts# List

Part#	10A	Signal or 5A	Length-L (mm)
BH2586-P1610-S02	16	2	86
BH2586-S24	0	24	106.4
BH2586-P0410-S20	4	20	106.4
BH2586-P0610-S18	6	18	106.4
BH2586-P1210-S12	12	12	106.4
BH2586-P1810-S06	18	6	106.4
BH2586-P2410	24	0	106.4
BH2586-S30	0	30	126.8
BH2586-P0610-S24	6	24	126.8
BH2586-P1210-S18	12	18	126.8
BH2586-P1810-S12	18	12	126.8
BH2586-P2410-S06	24	6	126.8
BH2586-P3010	30	0	126.8
BH2586-S36	0	36	150.2
BH2586-P0610-S30	6	30	150.2
BH2586-P1210-S24	12	24	150.2
BH2586-P3610	36	0	150.2
BH2586-S42	0	42	170.6
BH2586-P0610-S36	6	36	170.6
BH2586-P1210-S30	12	30	170.6
BH2586-S48	0	48	193.2
BH2586-P0610-S42	6	42	193.2
BH2586-P0910-S39	9	39	193.2
BH2586-P1210-S36	12	36	193.2
BH2586-P1810-S30	18	30	193.2
BH2586-P2410-S24	24	24	193.2
BH2586-S60	0	60	234
BH2586-P0610-S54	6	54	234
BH2586-P0910-S51	9	51	234
BH2586-P1210-S48	12	48	234
BH2586-S72	0	72	277.8

Note: N channels 10A rings parallel can be used as 1 channel N*10A current. For example: 2 rings 10A parallel could be used as 1 wires 20A. 10A,5A (signal) can combine freely in any way.It can be customized based on standard slip ring,please contact customer service for more detmails.

Electrical parameters

Project	Power	Siana
Rated Voltage	0~690VAC/VDC	0~440VAC/VDC
Insulation Resistance	≥1000MΩ/1000VDC	≥1000MΩ/500VDC
Lead Wires	AWG16#Teflon	AWG22#Teflon
Lead Length	Standard 300mm(adjustable)	
Insulation Strength	1000VAC@50Hz, 60s	
Electrical Noise	<0.01Ω	

Mechanical Data

Project	Value
Working Life	See Product Quality Level Table
Rotating Speed	See Product Quality Level Table
Working Temperature	-30°C~80°C
Operating Humidity	0~85% RH
Contact Material	See Product Quality Level Table
Housing Material	Aluminium Alloy / Engineering plastic
Torque	0.1N.m, +0.03N.m/6rings
Protection Grade	Ip51

Product Quality Level Table

Products Level Code	Max Rotating Speed	Working Life	Contact Material
VC	250RPM	20 Million Revs	Precious Metal
VD	600RPM	80 Million Revs	Gold-plated
VH	1000RPM	150 Million Revs	Gold-Gold

Lead Wires Color Code

Ring	1	2	3	4	5	6	7	8	9	10	11	12
Color	BLK	RED	YEL	GRN	BLU	WHT	BLK	RED	YEL	GRN	BLU	WHT

(6 wires for 1 group color, from 7-12, repeat the same color as 1...6, indicated with number code pipe)

Options For Custom Slip Ring

Note: Below special demands can be customized. According, the delivery date will be extended 3 to 15 days; also the cost will be increased 30% to 50%. Most of our basic parts are standard and modular, which can save the cost and lead time.

1. Cable exit way and cable length can be customized for both rotor and stator.
 2. Because of the structure limitation, length/height/OD can be customized on your request.
 3. Support current or signal up to 200 rings.
 4. Aviation plug, terminal and heat-shrink tube are optional.
 5. Hybrid slip ring for Yaskawa/Panasonic/Siemens servo control signal, power line and encoder line.
 6. Support mixed high speed data transmission (including Ethernet, USB, RS232, RS485, Profibus, CanBUS, CANOPEN, DeviceNET, CC-LINK, ProfiNET, EtherCAT, etc.)
 7. Can combine temperature control signal with thermocouple signal.
 8. Special environment can be customized, such as quakeproof, high temperature, etc.
 9. Hybrid Pneumatic/hydraulic and electric slip ring can be mixed.
 10. High temperature can up to 500 degrees.
 11. High pressure can up to 110KV
 12. Rotating speed can up to 10000RPM
 13. Maximum current can up to 5000 amperes.1Military grade
 14. Optional for underwater IP65, Ip68.
 15. Optional for stainless steel housing
- Technical support: Info@orbinexus.com

BH2586F SERIES

BH2586F series provides a 25.4mm through-bore for routing of hydraulic or pneumatic lines or hydraulic or pneumatic rotating shaft installation, and a compact 86mm outside diameter, features long life, fiber brush contact technology for ultimate performance in many challenging applications. BH2586F series are standard, off-the-shelf products, Color-coded lead wires are used on both the stator and rotor for simplified electrical connections. It can transmit signal (2A), 10A, multiple 10A current when 360° degree free rotating.

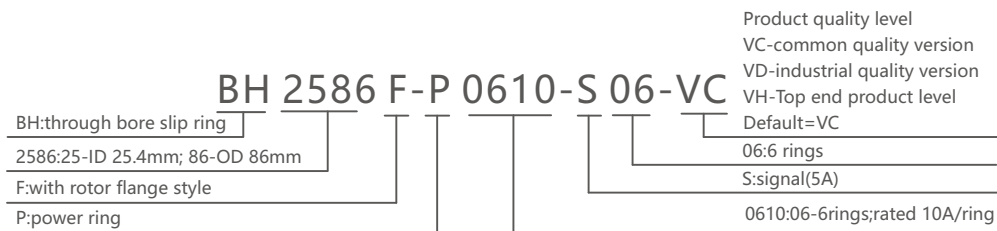
Product images



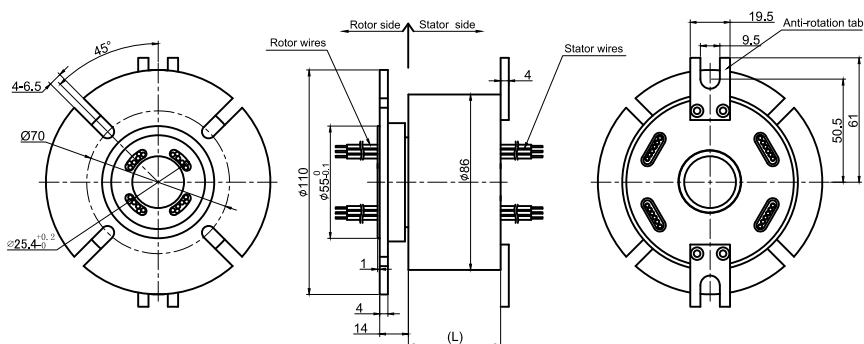
The pictures are for reference only

As the signal pathway increases or the combination of light and electricity results in changes in the appearance and size of the product, the actual product shall prevail.

Part# Explanation



Dimensions



BH2586F Series Parts# List

Part#	10A	Signal or 5A	Length-L (mm)
BH2586F-S02	0	2	31.6
BH2586F-P0210	2	0	31.6
BH2586F-S03	0	3	35
BH2586F-P0310	3	0	35
BH2586F-S06	0	6	45.2
BH2586F-P0210-S04	2	4	45.2
BH2586F-P0410-S02	4	2	45.2
BH2586F-P0610	6	0	45.2
BH2586F-S12	0	12	65.6
BH2586F-P0210-S10	2	10	65.6
BH2586F-P0310-S09	3	9	65.6
BH2586F-P0610-S06	6	6	65.6
BH2586F-P0810-S04	8	4	65.6
BH2586F-P1010-S02	10	2	65.6
BH2586F-P1210	12	0	65.6
BH2586F-S18	0	18	86
BH2586F-P0210-S16	2	16	86
BH2586F-P0410-S14	4	14	86
BH2586F-P0610-S12	6	12	86
BH2586F-P0810-S10	8	10	86
BH2586F-P1010-S08	10	8	86
BH2586F-P1210-S06	12	6	86
BH2586F-P1410-S04	14	4	86

BH2586F Series Parts# List

Part#	10A	Signal or 5A	Length-L (mm)
BH2586F-P1610-S02	16	2	86
BH2586F-S24	0	24	106.4
BH2586F-P0410-S20	4	20	106.4
BH2586F-P0610-S18	6	18	106.4
BH2586F-P1210-S12	12	12	106.4
BH2586F-P1810-S06	18	6	106.4
BH2586F-P2410	24	0	106.4
BH2586F-S30	0	30	126.8
BH2586F-P0610-S24	6	24	126.8
BH2586F-P1210-S18	12	18	126.8
BH2586F-P1810-S12	18	12	126.8
BH2586F-P2410-S06	24	6	126.8
BH2586F-P3010	30	0	126.8
BH2586F-S36	0	36	150.2
BH2586F-P0610-S30	6	30	150.2
BH2586F-P1210-S24	12	24	150.2
BH2586F-P3610	36	0	150.2
BH2586F-S42	0	42	170.6
BH2586F-P0610-S36	6	36	170.6
BH2586F-P1210-S30	12	30	170.6
BH2586F-S48	0	48	193.2
BH2586F-P0610-S42	6	42	193.2
BH2586F-P0910-S39	9	39	193.2
BH2586F-P1210-S36	12	36	193.2
BH2586F-P1810-S30	18	30	193.2
BH2586F-P2410-S24	24	24	193.2
BH2586F-S60	0	60	234
BH2586F-P0610-S54	6	54	234
BH2586F-P0910-S51	9	51	234
BH2586F-P1210-S48	12	48	234
BH2586F-S72	0	72	277.8

Note: N channels 10A rings parallel can be used as 1 channel N*10A current. For example: 2 rings 10A parallel could be used as 1 wires 20A. 10A,5A (signal) can combine freely in any way.It can be customized based on standard slip ring,please contact customer service for more detmails.

Electrical parameters

Project	Power	Siana
Rated Voltage	0~690VAC/VDC	0~440VAC/VDC
Insulation Resistance	≥1000MΩ/1000VDC	≥1000MΩ/500VDC
Lead Wires	AWG16#Teflon	AWG22#Teflon
Lead Length	Standard 300mm(adjustable)	
Insulation Strength	1000VAC@50Hz, 60s	
Electrical Noise	<0.01Ω	

Mechanical Data

Project	Value
Working Life	See Product Quality Level Table
Rotating Speed	See Product Quality Level Table
Working Temperature	-30°C~80°C
Operating Humidity	0~85% RH
Contact Material	See Product Quality Level Table
Housing Material	Aluminium Alloy / Engineering plastic
Torque	0.1N.m, +0.03N.m/6rings
Protection Grade	Ip51

Product Quality Level Table

Products Level Code	Max Rotating Speed	Working Life	Contact Material
VC	250RPM	20 Million Revs	Precious Metal
VD	600RPM	80 Million Revs	Gold-plated
VH	1000RPM	150 Million Revs	Gold-Gold

Lead Wires Color Code

Ring	1	2	3	4	5	6	7	8	9	10	11	12
Color	BLK	RED	YEL	GRN	BLU	WHT	BLK	RED	YEL	GRN	BLU	WHT

(6 wires for 1 group color, from 7-12, repeat the same color as 1...6, indicated with number code pipe)

Options For Custom Slip Ring

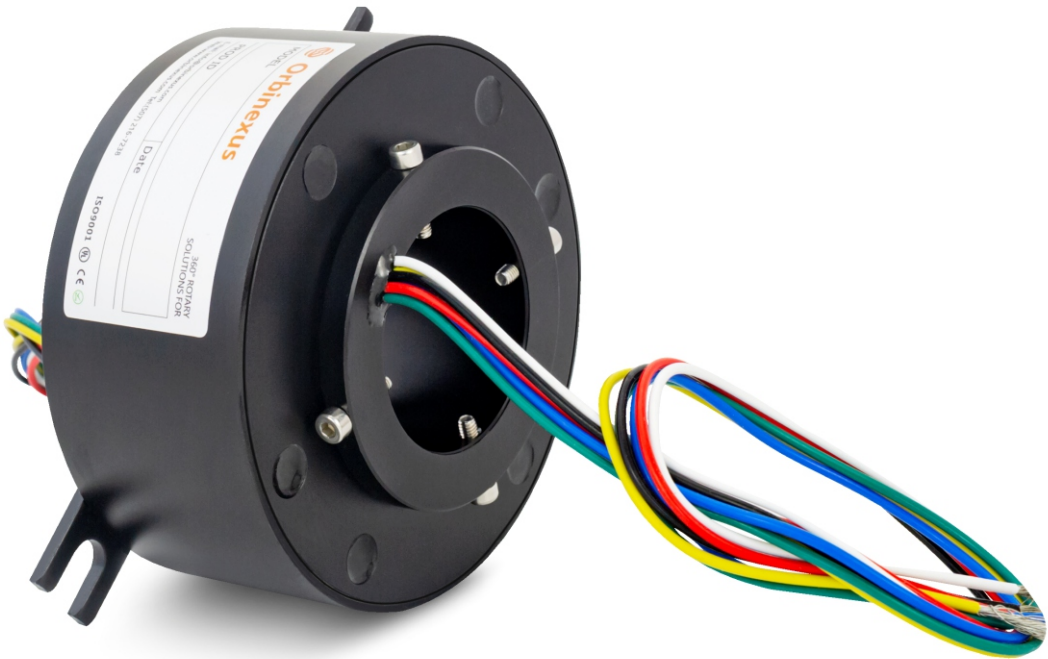
Note: Below special demands can be customized. According, the delivery date will be extended 3 to 15 days; also the cost will be increased 30% to 50%. Most of our basic parts are standard and modular, which can save the cost and lead time.

1. Cable exit way and cable length can be customized for both rotor and stator.
 2. Because of the structure limitation, length/height/OD can be customized on your request.
 3. Support current or signal up to 200 rings.
 4. Aviation plug, terminal and heat-shrink tube are optional.
 5. Hybrid slip ring for Yaskawa/Panasonic/Siemens servo control signal, power line and encoder line.
 6. Support mixed high speed data transmission (including Ethernet, USB, RS232, RS485, Profibus, CanBUS, CANOPEN, DeviceNET, CC-LINK, ProfiNET, EtherCAT, etc.)
 7. Can combine temperature control signal with thermocouple signal.
 8. Special environment can be customized, such as quakeproof, high temperature, etc.
 9. Hybrid Pneumatic/hydraulic and electric slip ring can be mixed.
 10. High temperature can up to 500 degrees.
 11. High pressure can up to 110KV
 12. Rotating speed can up to 10000RPM
 13. Maximum current can up to 5000 amperes.1Military grade
 14. Optional for underwater IP65, Ip68.
 15. Optional for stainless steel housing
- Technical support: Info@orbinexus.com

BH25119 SERIES

BH25119 series provides a 25.4mm through-bore for routing of hydraulic or pneumatic lines or hydraulic or pneumatic rotating shaft installation, and a compact 119mm outside diameter, features long life, fiber brush contact technology for ultimate performance in many challenging applications. BH25119 series are standard, off-the-shelf products, Color-coded lead wires are used on both the stator and rotor for simplified electrical connections. It can transmit signal (2A), 10A, multiple 10A current when 360° degree free rotating.

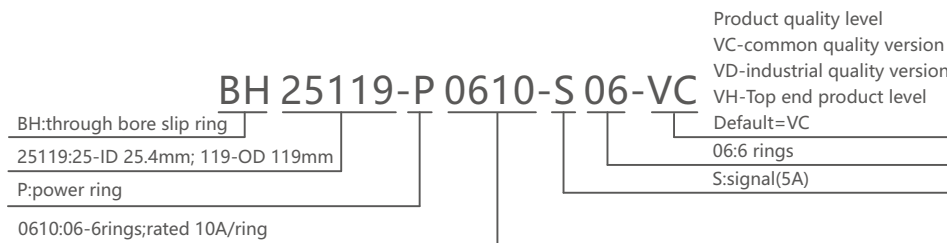
Product images



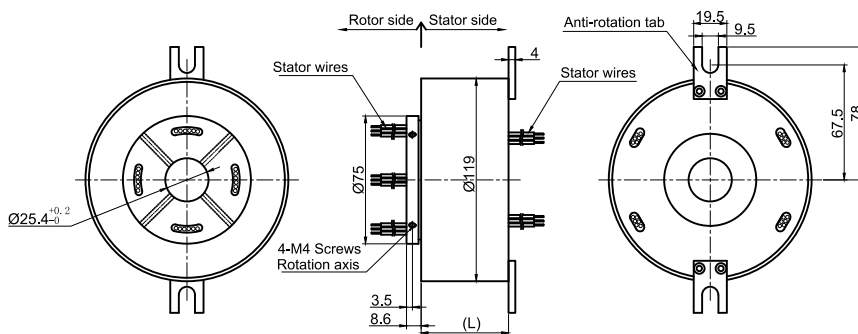
The pictures are for reference only

As the signal pathway increases or the combination of light and electricity results in changes in the appearance and size of the product, the actual product shall prevail.

Part# Explanation



Dimensions



BH25119 Series Parts# List

Part#	10A	Signal or 5A	Length-L (mm)
BH25119-S02	0	2	36
BH25119-P0210	2	0	36
BH25119-S03	0	3	39.8
BH25119-P0310	3	0	39.8
BH25119-S06	0	6	51.2
BH25119-P0210-S04	2	4	51.2
BH25119-P0410-S02	4	2	51.2
BH25119-P0610	6	0	51.2
BH25119-S12	0	12	74
BH25119-P0210-S10	2	10	74
BH25119-P0310-S09	3	9	74
BH25119-P0610-S06	6	6	74
BH25119-P0810-S04	8	4	74
BH25119-P1010-S02	10	2	74
BH25119-P1210	12	0	74
BH25119-S18	0	18	96.8
BH25119-P0210-S16	2	16	96.8
BH25119-P0410-S14	4	14	96.8
BH25119-P0610-S12	6	12	96.8
BH25119-P0810-S10	8	10	96.8
BH25119-P1010-S08	10	8	96.8
BH25119-P1210-S06	12	6	96.8
BH25119-P1410-S04	14	4	96.8

BH25119Series Parts# List

Part#	10A	Signal or 5A	Length-L (mm)
BH25119-P1610-S02	16	2	96.8
BH25119-S24	0	24	119.6
BH25119-P0410-S20	4	20	119.6
BH25119-P0610-S18	6	18	119.6
BH25119-P1210-S12	12	12	119.6
BH25119-P1810-S06	18	6	119.6
BH25119-P2410	24	0	119.6
BH25119-S30	0	30	142.4
BH25119-P0610-S24	6	24	142.4
BH25119-P1210-S18	12	18	142.4
BH25119-P1810-S12	18	12	142.4
BH25119-P2410-S06	24	6	142.4
BH25119-P3010	30	0	142.4
BH25119-S36	0	36	169.2
BH25119-P0610-S30	6	30	169.2
BH25119-P1210-S24	12	24	169.2
BH25119-P3610	36	0	169.2
BH25119-S42	0	42	192
BH25119-P0610-S36	6	36	192
BH25119-P1210-S30	12	30	192
BH25119-S48	0	48	217.4
BH25119-P0610-S42	6	42	217.4
BH25119-P0910-S39	9	39	217.4
BH25119-P1210-S36	12	36	217.4
BH25119-P1810-S30	18	30	217.4
BH25119-P2410-S24	24	24	217.4
BH25119-S60	0	60	263
BH25119-P0610-S54	6	54	263
BH25119-P0910-S51	9	51	263
BH25119-P1210-S48	12	48	263
BH25119-S72	0	72	312.6
BH25119-P0610-S66	6	66	312.6
BH25119-P1210-S60	12	60	312.6
BH25119-P2410-S48	24	48	312.6
BH25119-P3610-S36	36	36	312.6
BH25119-S84	0	84	312.6
BH25119-P1210-S72	12	72	312.6
BH25119-P2410-S60	24	60	312.6
BH25119-P3610-S48	36	48	312.6
BH25119-S96	0	96	403.8
BH25119-P1210-S84	12	84	403.8
BH25119-P2410-S72	24	72	403.8
BH25119-P3610-S60	36	60	403.8
BH25119-P4210-S54	42	54	403.8
BH25119-S108	0	108	453.4
BH25119-P1210-S96	12	96	453.4
BH25119-P2410-S84	24	84	453.4
BH25119-P3610-S72	36	72	453.4
BH25119-S120	0	120	499
BH25119-P1210-S108	12	108	499

BH25119Series Parts# List

Part#	10A	Signal or 5A	Length-L (mm)
BH25119-P2410-S96	24	96	499
BH25119-P3610-S84	36	84	499
BH25119-P4810-S72	48	72	499
BH25119-S132	0	132	544.6
BH25119-P1210-S120	12	120	544.6
BH25119-P2410-S108	24	108	544.6
BH25119-P3610-S96	36	96	542
BH25119-P4810-S84	48	84	542
BH25119-S144	0	144	590.2
BH25119-P1210-S132	12	132	590.2
BH25119-P2410-S120	24	120	590.2
BH25119-P3610-S108	36	108	590.2
BH25119-P4810-S96	48	96	590.2

Note: N channels 10A rings parallel can be used as 1 channel N*10A current. For example: 2 rings 10A parallel could be used as 1 wires 20A. 10A,5A (signal) can combine freely in any way.It can be customized based on standard slip ring,please contact customer service for more detmails.

Electrical parameters

Project	Power	Siana
Rated Voltage	0~690VAC/VDC	0~440VAC/VDC
Insulation Resistance	≥1000MΩ/1000VDC	≥1000MΩ/500VDC
Lead Wires	AWG16#Teflon	AWG22#Teflon
Lead Length	Standard 300mm(adjustable)	
Insulation Strength	1000VAC@50Hz, 60s	
Electrical Noise	<0.01Ω	

Mechanical Data

Project	Value
Working Life	See Product Quality Level Table
Rotating Speed	See Product Quality Level Table
Working Temperature	-30°C~80°C
Operating Humidity	0~85% RH
Contact Material	See Product Quality Level Table
Housing Material	Aluminium Alloy / Engineering plastic
Torque	0.1N.m, +0.03N.m/6rings
Protection Grade	Ip51

Product Quality Level Table

Products Level Code	Max Rotating Speed	Working Life	Contact Material
VC	250RPM	20 Million Revs	Precious Metal
VD	600RPM	80 Million Revs	Gold-plated
VH	1000RPM	150 Million Revs	Gold-Gold

Lead Wires Color Code

Ring	1	2	3	4	5	6	7	8	9	10	11	12
Color	BLK	RED	YEL	GRN	BLU	WHT	BLK	RED	YEL	GRN	BLU	WHT

(6 wires for 1 group color, from 7-12, repeat the same color as 1...6, indicated with number code pipe)

Options For Custom Slip Ring

Note: Below special demands can be customized. According, the delivery date will be extended 3 to 15 days; also the cost will be increased 30% to 50%. Most of our basic parts are standard and modular, which can save the cost and lead time.

1. Cable exit way and cable length can be customized for both rotor and stator.
 2. Because of the structure limitation, length/height/OD can be customized on your request.
 3. Support current or signal up to 200 rings.
 4. Aviation plug, terminal and heat-shrink tube are optional.
 5. Hybrid slip ring for Yaskawa/Panasonic/Siemens servo control signal, power line and encoder line.
 6. Support mixed high speed data transmission (including Ethernet, USB, RS232, RS485, Profibus, CanBUS, CANOPEN, DeviceNET, CC-LINK, ProfiNET, EtherCAT, etc.)
 7. Can combine temperature control signal with thermocouple signal.
 8. Special environment can be customized, such as quakeproof, high temperature, etc.
 9. Hybrid Pneumatic/hydraulic and electric slip ring can be mixed.
 10. High temperature can up to 500 degrees.
 11. High pressure can up to 110KV
 12. Rotating speed can up to 10000RPM
 13. Maximum current can up to 5000 amperes.1Military grade
 14. Optional for underwater IP65, Ip68.
 15. Optional for stainless steel housing
- Technical support: Info@orbinexus.com

BH3099 SERIES

BH3099 series provides a 30mm through-bore for routing of hydraulic or pneumatic lines or hydraulic or pneumatic rotating shaft installation, and a compact 99mm outside diameter, features long life, fiber brush contact technology for ultimate performance in many challenging applications. BH3099 series are standard, off-the-shelf products, Color-coded lead wires are used on both the stator and rotor for simplified electrical connections. It can transmit signal (2A), 10A, multiple 10A current when 360° degree free rotating.

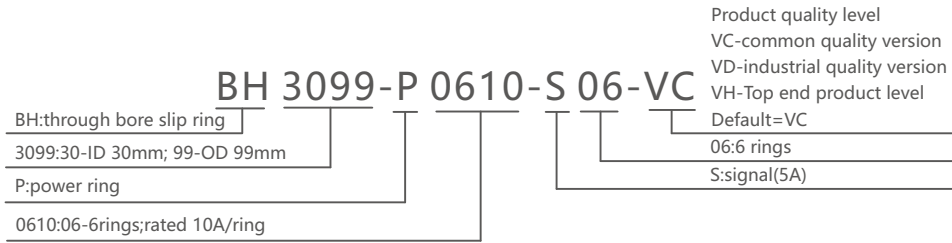
Product images



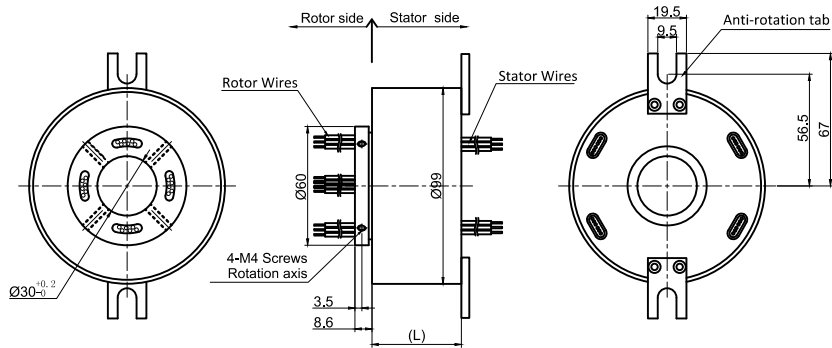
The pictures are for reference only

As the signal pathway increases or the combination of light and electricity results in changes in the appearance and size of the product, the actual product shall prevail.

Part# Explanation



Dimensions



BH3099 Series Parts# List

Part#	10A	Signal or 5A	Length-L (mm)
BH3099-S02	0	2	31.6
BH3099-P0210	2	0	31.6
BH3099-S03	0	3	35
BH3099-P0310	3	0	35
BH3099-S06	0	6	45.2
BH3099-P0210-S04	2	4	45.2
BH3099-P0410-S02	4	2	45.2
BH3099-P0610	6	0	45.2
BH3099-S12	0	12	65.6
BH3099-P0210-S10	2	10	65.6
BH3099-P0310-S09	3	9	65.6
BH3099-P0610-S06	6	6	65.6
BH3099-P0810-S04	8	4	65.6
BH3099-P1010-S02	10	2	65.6
BH3099-P1210	12	0	65.6
BH3099-S18	0	18	86
BH3099-P0210-S16	2	16	86
BH3099-P0410-S14	4	14	86
BH3099-P0610-S12	6	12	86
BH3099-P0810-S10	8	10	86
BH3099-P1010-S08	10	8	86
BH3099-P1210-S06	12	6	86
BH3099-P1410-S04	14	4	86

BH3099 Series Parts# List

Part#	10A	Signal or 5A	Length-L (mm)
BH3099-P1610-S02	16	2	86
BH3099-S24	0	24	106.4
BH3099-P0410-S20	4	20	106.4
BH3099-P0610-S18	6	18	106.4
BH3099-P1210-S12	12	12	106.4
BH3099-P1810-S06	18	6	106.4
BH3099-P2410	24	0	106.4
BH3099-S30	0	30	126.8
BH3099-P0610-S24	6	24	126.8
BH3099-P1210-S18	12	18	126.8
BH3099-P1810-S12	18	12	126.8
BH3099-P2410-S06	24	6	126.8
BH3099-P3010	30	0	126.8
BH3099-S36	0	36	150.2
BH3099-P0610-S30	6	30	150.2
BH3099-P1210-S24	12	24	150.2
BH3099-P3610	36	0	150.2
BH3099-S42	0	42	170.6
BH3099-P0610-S36	6	36	170.6
BH3099-P1210-S30	12	30	170.6
BH3099-S48	0	48	193.2
BH3099-P0610-S42	6	42	193.2
BH3099-P0910-S39	9	39	193.2
BH3099-P1210-S36	12	36	193.2
BH3099-P1810-S30	18	30	193.2
BH3099-P2410-S24	24	24	193.2
BH3099-S60	0	60	234
BH3099-P0610-S54	6	54	234
BH3099-P0910-S51	9	51	234
BH3099-P1210-S48	12	48	234
BH3099-S72	0	72	277.8

Note: N channels 10A rings parallel can be used as 1 channel N*10A current. For example: 2 rings 10A parallel could be used as 1 wires 20A. 10A,5A (signal) can combine freely in any way.It can be customized based on standard slip ring,please contact customer service for more detmails.

Electrical parameters

Project	Power	Siana
Rated Voltage	0~690VAC/VDC	0~440VAC/VDC
Insulation Resistance	≥1000MΩ/1000VDC	≥1000MΩ/500VDC
Lead Wires	AWG16#Teflon	AWG22#Teflon
Lead Length	Standard 300mm(adjustable)	
Insulation Strength	1000VAC@50Hz, 60s	
Electrical Noise	<0.01Ω	

Mechanical Data

Project	Value
Working Life	See Product Quality Level Table
Rotating Speed	See Product Quality Level Table
Working Temperature	-30°C~80°C
Operating Humidity	0~85% RH
Contact Material	See Product Quality Level Table
Housing Material	Aluminium Alloy / Engineering plastic
Torque	0.1N.m, +0.03N.m/6rings
Protection Grade	Ip51

Product Quality Level Table

Products Level Code	Max Rotating Speed	Working Life	Contact Material
VC	250RPM	20 Million Revs	Precious Metal
VD	600RPM	80 Million Revs	Gold-plated
VH	1000RPM	150 Million Revs	Gold-Gold

Lead Wires Color Code

Ring	1	2	3	4	5	6	7	8	9	10	11	12
Color	BLK	RED	YEL	GRN	BLU	WHT	BLK	RED	YEL	GRN	BLU	WHT

(6 wires for 1 group color, from 7-12, repeat the same color as 1...6, indicated with number code pipe)

Options For Custom Slip Ring

Note: Below special demands can be customized. According, the delivery date will be extended 3 to 15 days; also the cost will be increased 30% to 50%. Most of our basic parts are standard and modular, which can save the cost and lead time.

1. Cable exit way and cable length can be customized for both rotor and stator.
2. Because of the structure limitation, length/height/OD can be customized on your request.
3. Support current or signal up to 200 rings.
4. Aviation plug, terminal and heat-shrink tube are optional.
5. Hybrid slip ring for Yaskawa/Panasonic/Siemens servo control signal, power line and encoder line.
6. Support mixed high speed data transmission (including Ethernet, USB, RS232, RS485, Profibus, CanBUS, CANOPEN, DeviceNET, CC-LINK, ProfiNET, EtherCAT, etc.)
7. Can combine temperature control signal with thermocouple signal.
8. Special environment can be customized, such as quakeproof, high temperature, etc.
9. Hybrid Pneumatic/hydraulic and electric slip ring can be mixed.
10. High temperature can up to 500 degrees.
11. High pressure can up to 110KV
12. Rotating speed can up to 10000RPM
13. Maximum current can up to 5000 amperes.1Military grade
14. Optional for underwater IP65, Ip68.
15. Optional for stainless steel housing

Technical support: Info@orbinexus.com

BH3899 SERIES

BH3899 series provides a 38.1mm through-bore for routing of hydraulic or pneumatic lines or hydraulic or pneumatic rotating shaft installation, and a compact 99mm outside diameter, features long life, fiber brush contact technology for ultimate performance in many challenging applications. BH3899 series are standard, off-the-shelf products, Color-coded lead wires are used on both the stator and rotor for simplified electrical connections. It can transmit signal (2A), 10A, multiple 10A current when 360° degree free rotating.

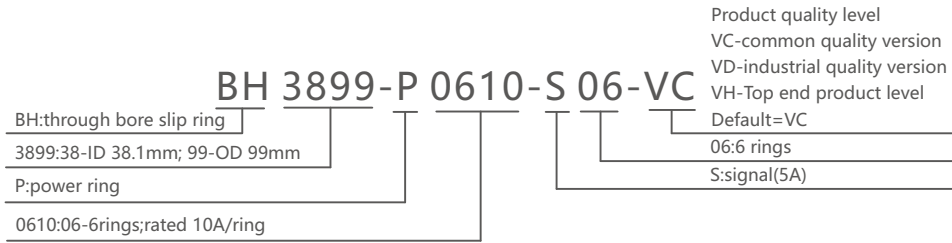
Product images



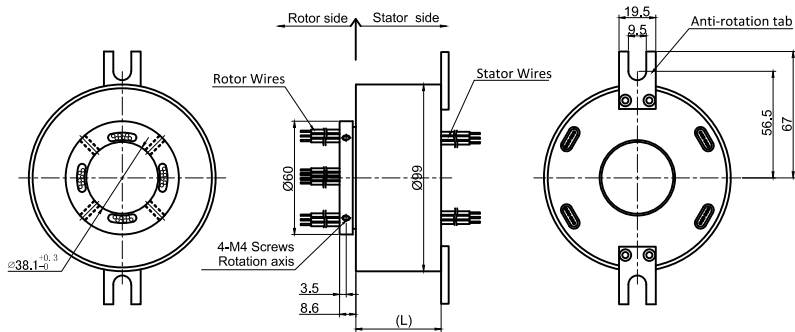
The pictures are for reference only

As the signal pathway increases or the combination of light and electricity results in changes in the appearance and size of the product, the actual product shall prevail.

Part# Explanation



Dimensions



BH3899 Series Parts# List

Part#	10A	Signal or 5A	Length-L (mm)
BH3899-S02	0	2	31.6
BH3899-P0210	2	0	31.6
BH3899-S03	0	3	35
BH3899-P0310	3	0	35
BH3899-S06	0	6	45.2
BH3899-P0210-S04	2	4	45.2
BH3899-P0410-S02	4	2	45.2
BH3899-P0610	6	0	45.2
BH3899-S12	0	12	65.6
BH3899-P0210-S10	2	10	65.6
BH3899-P0310-S09	3	9	65.6
BH3899-P0610-S06	6	6	65.6
BH3899-P0810-S04	8	4	65.6
BH3899-P1010-S02	10	2	65.6
BH3899-P1210	12	0	65.6
BH3899-S18	0	18	86
BH3899-P0210-S16	2	16	86
BH3899-P0410-S14	4	14	86
BH3899-P0610-S12	6	12	86
BH3899-P0810-S10	8	10	86
BH3899-P1010-S08	10	8	86
BH3899-P1210-S06	12	6	86
BH3899-P1410-S04	14	4	86

BH3899 Series Parts# List

Part#	10A	Signal or 5A	Length-L (mm)
BH3899-P1610-S02	16	2	86
BH3899-S24	0	24	106.4
BH3899-P0410-S20	4	20	106.4
BH3899-P0610-S18	6	18	106.4
BH3899-P1210-S12	12	12	106.4
BH3899-P1810-S06	18	6	106.4
BH3899-P2410	24	0	106.4
BH3899-S30	0	30	126.8
BH3899-P0610-S24	6	24	126.8
BH3899-P1210-S18	12	18	126.8
BH3899-P1810-S12	18	12	126.8
BH3899-P2410-S06	24	6	126.8
BH3899-P3010	30	0	126.8
BH3899-S36	0	36	150.2
BH3899-P0610-S30	6	30	150.2
BH3899-P1210-S24	12	24	150.2
BH3899-P3610	36	0	150.2
BH3899-S42	0	42	170.6
BH3899-P0610-S36	6	36	170.6
BH3899-P1210-S30	12	30	170.6
BH3899-S48	0	48	193.2
BH3899-P0610-S42	6	42	193.2
BH3899-P0910-S39	9	39	193.2
BH3899-P1210-S36	12	36	193.2
BH3899-P1810-S30	18	30	193.2
BH3899-P2410-S24	24	24	193.2
BH3899-S60	0	60	234
BH3899-P0610-S54	6	54	234
BH3899-P0910-S51	9	51	234
BH3899-P1210-S48	12	48	234
BH3899-S72	0	72	277.8

Note: N channels 10A rings parallel can be used as 1 channel N*10A current. For example: 2 rings 10A parallel could be used as 1 wires 20A. 10A,5A (signal) can combine freely in any way.It can be customized based on standard slip ring,please contact customer service for more detmails.

Electrical parameters

Project	Power	Siana
Rated Voltage	0~690VAC/VDC	0~440VAC/VDC
Insulation Resistance	≥1000MΩ/1000VDC	≥1000MΩ/500VDC
Lead Wires	AWG16#Teflon	AWG22#Teflon
Lead Length	Standard 300mm(adjustable)	
Insulation Strength	1000VAC@50Hz, 60s	
Electrical Noise	<0.01Ω	

Mechanical Data

Project	Value
Working Life	See Product Quality Level Table
Rotating Speed	See Product Quality Level Table
Working Temperature	-30°C~80°C
Operating Humidity	0~85% RH
Contact Material	See Product Quality Level Table
Housing Material	Aluminium Alloy / Engineering plastic
Torque	0.1N.m, +0.03N.m/6rings
Protection Grade	Ip51

Product Quality Level Table

Products Level Code	Max Rotating Speed	Working Life	Contact Material
VC	250RPM	20 Million Revs	Precious Metal
VD	600RPM	80 Million Revs	Gold-plated
VH	1000RPM	150 Million Revs	Gold-Gold

Lead Wires Color Code

Ring	1	2	3	4	5	6	7	8	9	10	11	12
Color	BLK	RED	YEL	GRN	BLU	WHT	BLK	RED	YEL	GRN	BLU	WHT

(6 wires for 1 group color, from 7-12, repeat the same color as 1...6, indicated with number code pipe)

Options For Custom Slip Ring

Note: Below special demands can be customized. According, the delivery date will be extended 3 to 15 days; also the cost will be increased 30% to 50%. Most of our basic parts are standard and modular, which can save the cost and lead time.

1. Cable exit way and cable length can be customized for both rotor and stator.
2. Because of the structure limitation, length/height/OD can be customized on your request.
3. Support current or signal up to 200 rings.
4. Aviation plug, terminal and heat-shrink tube are optional.
5. Hybrid slip ring for Yaskawa/Panasonic/Siemens servo control signal, power line and encoder line.
6. Support mixed high speed data transmission (including Ethernet, USB, RS232, RS485, Profibus, CanBUS, CANOPEN, DeviceNET, CC-LINK, ProfiNET, EtherCAT, etc.)
7. Can combine temperature control signal with thermocouple signal.
8. Special environment can be customized, such as quakeproof, high temperature, etc.
9. Hybrid Pneumatic/hydraulic and electric slip ring can be mixed.
10. High temperature can up to 500 degrees.
11. High pressure can up to 110KV
12. Rotating speed can up to 10000RPM
13. Maximum current can up to 5000 amperes.1Military grade
14. Optional for underwater IP65, Ip68.
15. Optional for stainless steel housing

Technical support: Info@orbinexus.com

BH3899F SERIES

BH3899F series provides a 38.1mm through-bore for routing of hydraulic or pneumatic lines or hydraulic or pneumatic rotating shaft installation, and a compact 99mm outside diameter, features long life, fiber brush contact technology for ultimate performance in many challenging applications. BH3899F series are standard, off-the-shelf products, Color-coded lead wires are used on both the stator and rotor for simplified electrical connections. It can transmit signal (2A), 10A, multiple 10A current when 360° degree free rotating.

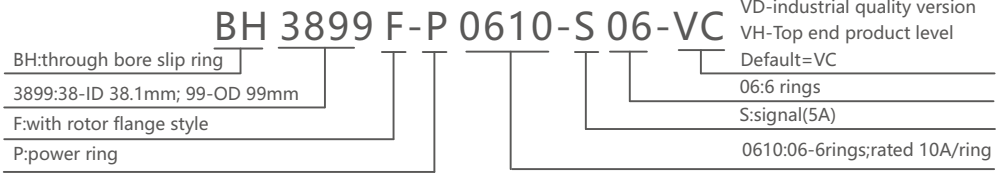
Product images



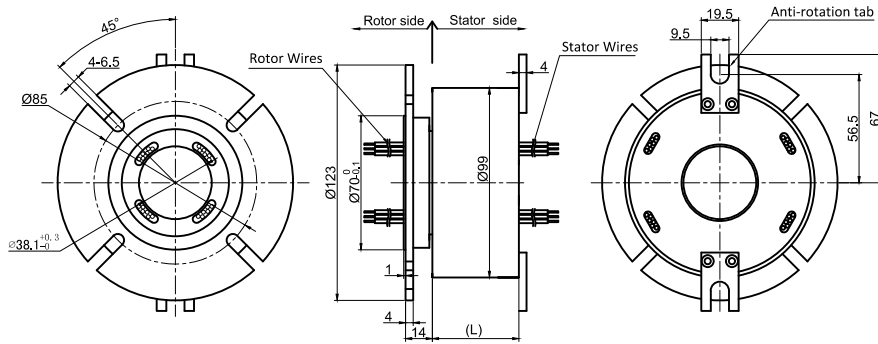
The pictures are for reference only

As the signal pathway increases or the combination of light and electricity results in changes in the appearance and size of the product, the actual product shall prevail.

Part# Explanation



Dimensions



BH3899F Series Parts# List

Part#	10A	Signal or 5A	Length-L (mm)
BH3899F-S02	0	2	31.6
BH3899F-P0210	2	0	31.6
BH3899F-S03	0	3	35
BH3899F-P0310	3	0	35
BH3899F-S06	0	6	45.2
BH3899F-P0210-S04	2	4	45.2
BH3899F-P0410-S02	4	2	45.2
BH3899F-P0610	6	0	45.2
BH3899F-S12	0	12	65.6
BH3899F-P0210-S10	2	10	65.6
BH3899F-P0310-S09	3	9	65.6
BH3899F-P0610-S06	6	6	65.6
BH3899F-P0810-S04	8	4	65.6
BH3899F-P1010-S02	10	2	65.6
BH3899F-P1210	12	0	65.6
BH3899F-S18	0	18	86
BH3899F-P0210-S16	2	16	86
BH3899F-P0410-S14	4	14	86
BH3899F-P0610-S12	6	12	86
BH3899F-P0810-S10	8	10	86
BH3899F-P1010-S08	10	8	86
BH3899F-P1210-S06	12	6	86
BH3899F-P1410-S04	14	4	86

BH3899F Series Parts# List

Part#	10A	Signal or 5A	Length-L (mm)
BH3899F-P1610-S02	16	2	86
BH3899F-S24	0	24	106.4
BH3899F-P0410-S20	4	20	106.4
BH3899F-P0610-S18	6	18	106.4
BH3899F-P1210-S12	12	12	106.4
BH3899F-P1810-S06	18	6	106.4
BH3899F-P2410	24	0	106.4
BH3899F-S30	0	30	126.8
BH3899F-P0610-S24	6	24	126.8
BH3899F-P1210-S18	12	18	126.8
BH3899F-P1810-S12	18	12	126.8
BH3899F-P2410-S06	24	6	126.8
BH3899F-P3010	30	0	126.8
BH3899F-S36	0	36	150.2
BH3899F-P0610-S30	6	30	150.2
BH3899F-P1210-S24	12	24	150.2
BH3899F-P3610	36	0	150.2
BH3899F-S42	0	42	170.6
BH3899F-P0610-S36	6	36	170.6
BH3899F-P1210-S30	12	30	170.6
BH3899F-S48	0	48	193.2
BH3899F-P0610-S42	6	42	193.2
BH3899F-P0910-S39	9	39	193.2
BH3899F-P1210-S36	12	36	193.2
BH3899F-P1810-S30	18	30	193.2
BH3899F-P2410-S24	24	24	193.2
BH3899F-S60	0	60	234
BH3899F-P0610-S54	6	54	234
BH3899F-P0910-S51	9	51	234
BH3899F-P1210-S48	12	48	234
BH3899F-S72	0	72	277.8

Note: N channels 10A rings parallel can be used as 1 channel N*10A current. For example: 2 rings 10A parallel could be used as 1 wires 20A. 10A,5A (signal) can combine freely in any way.It can be customized based on standard slip ring,please contact customer service for more detmails.

Electrical parameters

Project	Power	Siana
Rated Voltage	0~690VAC/VDC	0~440VAC/VDC
Insulation Resistance	≥1000MΩ/1000VDC	≥1000MΩ/500VDC
Lead Wires	AWG16#Teflon	AWG22#Teflon
Lead Length	Standard 300mm(adjustable)	
Insulation Strength	1000VAC@50Hz, 60s	
Electrical Noise	<0.01Ω	

Mechanical Data

Project	Value
Working Life	See Product Quality Level Table
Rotating Speed	See Product Quality Level Table
Working Temperature	-30°C~80°C
Operating Humidity	0~85% RH
Contact Material	See Product Quality Level Table
Housing Material	Aluminium Alloy / Engineering plastic
Torque	0.1N.m, +0.03N.m/6rings
Protection Grade	Ip51

Product Quality Level Table

Products Level Code	Max Rotating Speed	Working Life	Contact Material
VC	250RPM	20 Million Revs	Precious Metal
VD	600RPM	80 Million Revs	Gold-plated
VH	1000RPM	150 Million Revs	Gold-Gold

Lead Wires Color Code

Ring	1	2	3	4	5	6	7	8	9	10	11	12
Color	BLK	RED	YEL	GRN	BLU	WHT	BLK	RED	YEL	GRN	BLU	WHT

(6 wires for 1 group color, from 7-12, repeat the same color as 1...6, indicated with number code pipe)

Options For Custom Slip Ring

Note: Below special demands can be customized. According, the delivery date will be extended 3 to 15 days; also the cost will be increased 30% to 50%. Most of our basic parts are standard and modular, which can save the cost and lead time.

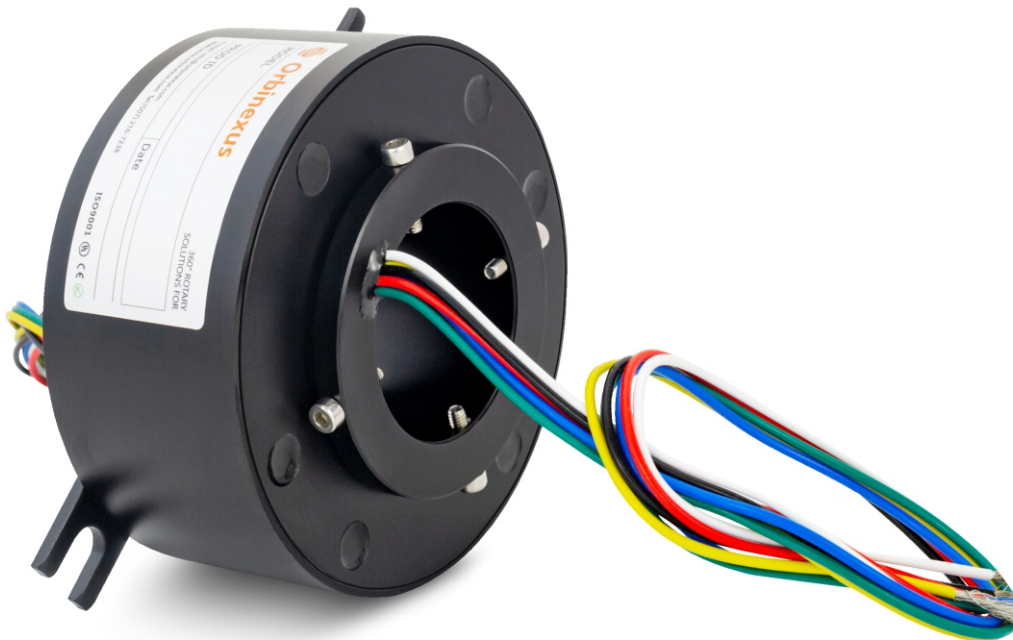
1. Cable exit way and cable length can be customized for both rotor and stator.
2. Because of the structure limitation, length/height/OD can be customized on your request.
3. Support current or signal up to 200 rings.
4. Aviation plug, terminal and heat-shrink tube are optional.
5. Hybrid slip ring for Yaskawa/Panasonic/Siemens servo control signal, power line and encoder line.
6. Support mixed high speed data transmission (including Ethernet, USB, RS232, RS485, Profibus, CanBUS, CANOPEN, DeviceNET, CC-LINK, ProfiNET, EtherCAT, etc.)
7. Can combine temperature control signal with thermocouple signal.
8. Special environment can be customized, such as quakeproof, high temperature, etc.
9. Hybrid Pneumatic/hydraulic and electric slip ring can be mixed.
10. High temperature can up to 500 degrees.
11. High pressure can up to 110KV
12. Rotating speed can up to 10000RPM
13. Maximum current can up to 5000 amperes.1Military grade
14. Optional for underwater IP65, Ip68.
15. Optional for stainless steel housing

Technical support: Info@orbinexus.com

BH50119 SERIES

BH50119 series provides a 50mm through-bore for routing of hydraulic or pneumatic lines or hydraulic or pneumatic rotating shaft installation, and a compact 119mm outside diameter, features long life, fiber brush contact technology for ultimate performance in many challenging applications. BH50119 series are standard, off-the-shelf products, Color-coded lead wires are used on both the stator and rotor for simplified electrical connections. It can transmit signal (2A), 10A, multiple 10A current when 360° degree free rotating.

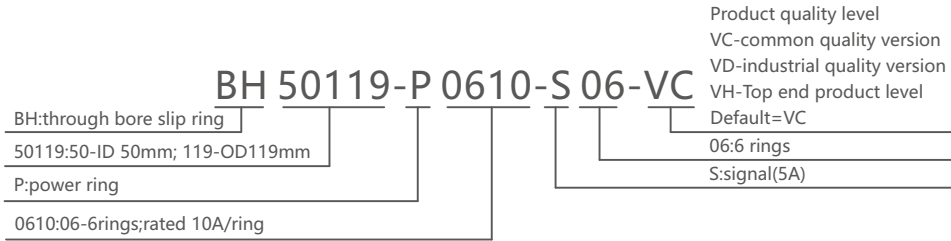
Product images



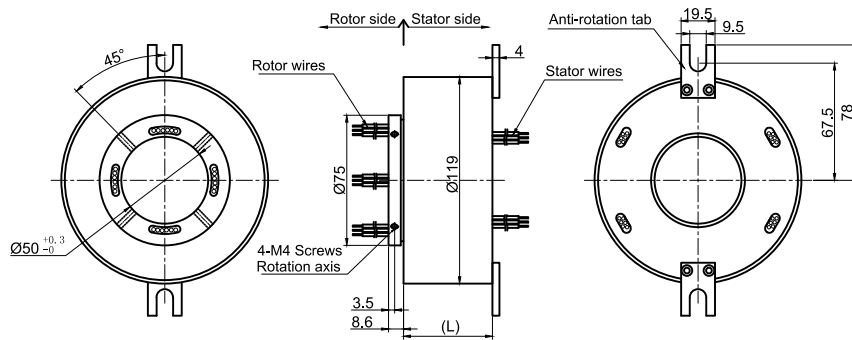
The pictures are for reference only

As the signal pathway increases or the combination of light and electricity results in changes in the appearance and size of the product, the actual product shall prevail.

Part# Explanation



Dimensions



BH50119 Series Parts# List

Part#	10A	Signal or 5A	Length-L (mm)
BH50119-S02	0	2	36
BH50119-P0210	2	0	36
BH50119-S03	0	3	39.8
BH50119-P0310	3	0	39.8
BH50119-S06	0	6	51.2
BH50119-P0210-S04	2	4	51.2
BH50119-P0410-S02	4	2	51.2
BH50119-P0610	6	0	51.2
BH50119-S12	0	12	74
BH50119-P0210-S10	2	10	74
BH50119-P0310-S09	3	9	74
BH50119-P0610-S06	6	6	74
BH50119-P0810-S04	8	4	74
BH50119-P1010-S02	10	2	74
BH50119-P1210	12	0	74
BH50119-S18	0	18	96.8
BH50119-P0210-S16	2	16	96.8
BH50119-P0410-S14	4	14	96.8
BH50119-P0610-S12	6	12	96.8
BH50119-P0810-S10	8	10	96.8
BH50119-P1010-S08	10	8	96.8
BH50119-P1210-S06	12	6	96.8
BH50119-P1410-S04	14	4	96.8
BH50119-P1610-S02	16	2	96.8

BH50119 Series Parts# List

Part#	10A	Signal or 5A	Length-L (mm)
BH50119-S24	0	24	119.6
BH50119-P0410-S20	4	20	119.6
BH50119-P0610-S18	6	18	119.6
BH50119-P1210-S12	12	12	119.6
BH50119-P1810-S06	18	6	119.6
BH50119-P2410	24	0	119.6
BH50119-S30	0	30	142.4
BH50119-P0610-S24	6	24	142.4
BH50119-P1210-S18	12	18	142.4
BH50119-P1810-S12	18	12	142.4
BH50119-P2410-S06	24	6	142.4
BH50119-P3010	30	0	142.4
BH50119-S36	0	36	169.2
BH50119-P0610-S30	6	30	169.2
BH50119-P1210-S24	12	24	169.2
BH50119-P3610	36	0	169.2
BH50119-S42	0	42	192
BH50119-P0610-S36	6	36	192
BH50119-P1210-S30	12	30	192
BH50119-S48	0	48	217.4
BH50119-P0610-S42	6	42	217.4
BH50119-P0910-S39	9	39	217.4
BH50119-P1210-S36	12	36	217.4
BH50119-P1810-S30	18	30	217.4
BH50119-P2410-S24	24	24	217.4
BH50119-S60	0	60	263
BH50119-P0610-S54	6	54	263
BH50119-P0910-S51	9	51	263
BH50119-P1210-S48	12	48	263
BH50119-S72	0	72	312.6
BH50119-P0610-S66	6	66	312.6
BH50119-P1210-S60	12	60	312.6
BH50119-P2410-S48	24	48	312.6
BH50119-P3610-S36	36	36	312.6
BH50119-S84	0	84	358.2
BH50119-P1210-S72	12	72	358.2
BH50119-P2410-S60	24	60	358.2
BH50119-P3610-S48	36	48	358.2
BH50119-S96	0	96	403.8
BH50119-P1210-S84	12	84	403.8
BH50119-P2410-S72	24	72	403.8
BH50119-P3610-S60	36	60	403.8
BH50119-P4210-S54	42	54	403.8
BH50119-S108	0	108	453.4
BH50119-P1210-S96	12	96	453.4
BH50119-P2410-S84	24	84	453.4
BH50119-P3610-S72	36	72	453.4
BH50119-P4810-S60	48	60	453.4

Note: N channels 10A rings parallel can be used as 1 channel N*10A current. For example: 2 rings 10A parallel could be used as 1 wires 20A. 10A,5A (signal) can combine freely in any way.It can be customized based on standard slip ring,please contact customer service for more detmails.

Electrical parameters

Project	Power	Siana
Rated Voltage	0~690VAC/VDC	0~440VAC/VDC
Insulation Resistance	≥1000MΩ/1000VDC	≥1000MΩ/500VDC
Lead Wires	AWG16#Teflon	AWG22#Teflon
Lead Length	Standard 300mm(adjustable)	
Insulation Strength	1000VAC@50Hz, 60s	
Electrical Noise	<0.01Ω	

Mechanical Data

Project	Value
Working Life	See Product Quality Level Table
Rotating Speed	See Product Quality Level Table
Working Temperature	-30°C~80°C
Operating Humidity	0~85% RH
Contact Material	See Product Quality Level Table
Housing Material	Aluminium Alloy / Engineering plastic
Torque	0.1N.m, +0.03N.m/6rings
Protection Grade	IP51

Product Quality Level Table

Products Level Code	Max Rotating Speed	Working Life	Contact Material
VC	250RPM	20 Million Revs	Precious Metal
VD	600RPM	50 Million Revs	Gold-plated
VH	1000RPM	100 Million Revs	Gold-Gold

Lead Wires Color Code

Ring	1	2	3	4	5	6	7	8	9	10	11	12
Color	BLK	RED	YEL	GRN	BLU	WHT	BLK	RED	YEL	GRN	BLU	WHT

(6 wires for 1 group color, from 7-12, repeat the same color as 1...6, indicated with number code pipe)

Options For Custom Slip Ring

Note: Below special demands can be customized. According, the delivery date will be extended 3 to 15 days; also the cost will be increased 30% to 50%. Most of our basic parts are standard and modular, which can save the cost and lead time.

1. Cable exit way and cable length can be customized for both rotor and stator.
2. Because of the structure limitation, length/height/OD can be customized on your request.
3. Support current or signal up to 200 rings.
4. Aviation plug, terminal and heat-shrink tube are optional.
5. Hybrid slip ring for Yaskawa/Panasonic/Siemens servo control signal, power line and encoder line.

6. Support mixed high speed data transmission (including Ethernet, USB, RS232, RS485, Profibus, CanBUS, CANOPEN, DeviceNET, CC-LINK, ProfiNET, EtherCAT, etc.)
 7. Can combine temperature control signal with thermocouple signal.
 8. Special environment can be customized, such as quakeproof, high temperature, etc.
 9. Hybrid Pneumatic/hydraulic and electric slip ring can be mixed.
 10. High temperature can up to 500 degrees.
 11. High pressure can up to 110KV
 12. Rotating speed can up to 10000RPM
 13. Maximum current can up to 5000 amperes.1Military grade
 14. Optional for underwater IP65, Ip68.
 15. Optional for stainless steel housing
- Technical support: Info@orbinexus.com

BH50119F SERIES

BH50119F series provides a 50mm through-bore for routing of hydraulic or pneumatic lines or hydraulic or pneumatic rotating shaft installation, and a compact 119mm outside diameter, features long life, fiber brush contact technology for ultimate performance in many challenging applications. BH50119F series are standard, off-the-shelf products, Color-coded lead wires are used on both the stator and rotor for simplified electrical connections. It can transmit signal (2A), 10A, multiple 10A current when 360° degree free rotating.

Product images



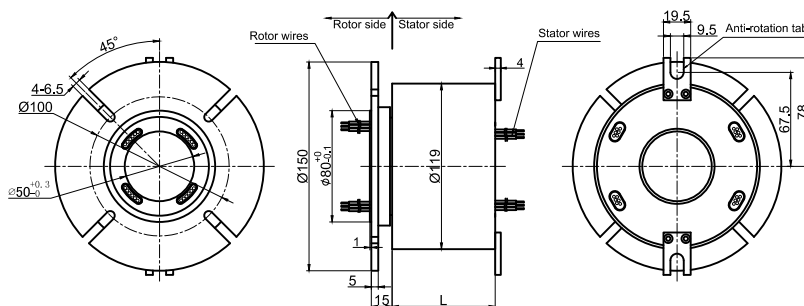
The pictures are for reference only

As the signal pathway increases or the combination of light and electricity results in changes in the appearance and size of the product, the actual product shall prevail.

Part# Explanation

BH 50119 F-P 0610-S 06-VC		Product quality level
BH:through bore slip ring		VC-common quality version
50119:50-ID 50mm; 119-OD 119mm		VD-industrial quality version
F:with rotor flange style		VH-Top end product level
P:power ring		Default=VC
		06:6 rings
		S:signal(5A)
		0610:06-6rings;rated 10A/ring

Dimensions



BH50119 Series Parts# List

Part#	10A	Signal or 5A	Length-L (mm)
BH50119F-S02	0	2	36
BH50119F-P0210	2	0	36
BH50119F-S03	0	3	39.8
BH50119F-P0310	3	0	39.8
BH50119F-S06	0	6	51.2
BH50119F-P0210-S04	2	4	51.2
BH50119F-P0410-S02	4	2	51.2
BH50119F-P0610	6	0	51.2
BH50119F-S12	0	12	74
BH50119F-P0210-S10	2	10	74
BH50119F-P0310-S09	3	9	74
BH50119F-P0610-S06	6	6	74
BH50119F-P0810-S04	8	4	74
BH50119F-P1010-S02	10	2	74
BH50119F-P1210	12	0	74
BH50119F-S18	0	18	96.8
BH50119F-P0210-S16	2	16	96.8
BH50119F-P0410-S14	4	14	96.8
BH50119F-P0610-S12	6	12	96.8
BH50119F-P0810-S10	8	10	96.8
BH50119F-P1010-S08	10	8	96.8
BH50119F-P1210-S06	12	6	96.8
BH50119F-P1410-S04	14	4	96.8
BH50119F-P1610-S02	16	2	96.8

BH50119 Series Parts# List

Part#	10A	Signal or 5A	Length-L (mm)
BH50119F-S24	0	24	119.6
BH50119F-P0410-S20	4	20	119.6
BH50119F-P0610-S18	6	18	119.6
BH50119F-P1210-S12	12	12	119.6
BH50119F-P1810-S06	18	6	119.6
BH50119F-P2410	24	0	119.6
BH50119F-S30	0	30	142.4
BH50119F-P0610-S24	6	24	142.4
BH50119F-P1210-S18	12	18	142.4
BH50119F-P1810-S12	18	12	142.4
BH50119F-P2410-S06	24	6	142.4
BH50119F-P3010	30	0	142.4
BH50119F-S36	0	36	169.2
BH50119F-P0610-S30	6	30	169.2
BH50119F-P1210-S24	12	24	169.2
BH50119F-P3610	36	0	169.2
BH50119F-S42	0	42	192
BH50119F-P0610-S36	6	36	192
BH50119F-P1210-S30	12	30	192
BH50119F-S48	0	48	217.4
BH50119F-P0610-S42	6	42	217.4
BH50119F-P0910-S39	9	39	217.4
BH50119F-P1210-S36	12	36	217.4
BH50119F-P1810-S30	18	30	217.4
BH50119F-P2410-S24	24	24	217.4
BH50119F-S60	0	60	263
BH50119F-P0610-S54	6	54	263
BH50119F-P0910-S51	9	51	263
BH50119F-P1210-S48	12	48	263
BH50119F-S72	0	72	312.6
BH50119F-P0610-S66	6	66	312.6
BH50119F-P1210-S60	12	60	312.6
BH50119F-P2410-S48	24	48	312.6
BH50119F-P3610-S36	36	36	312.6
BH50119F-S84	0	84	358.2
BH50119F-P1210-S72	12	72	358.2
BH50119F-P2410-S60	24	60	358.2
BH50119F-P3610-S48	36	48	358.2
BH50119F-S96	0	96	403.8
BH50119F-P1210-S84	12	84	403.8
BH50119F-P2410-S72	24	72	403.8
BH50119F-P3610-S60	36	60	403.8
BH50119F-P4210-S54	42	54	403.8
BH50119F-S108	0	108	453.4
BH50119F-P1210-S96	12	96	453.4
BH50119F-P2410-S84	24	84	453.4
BH50119F-P3610-S72	36	72	453.4
BH50119F-P4810-S60	48	60	453.4

Note: N channels 10A rings parallel can be used as 1 channel N*10A current. For example: 2 rings 10A parallel could be used as 1 wires 20A. 10A,5A (signal) can combine freely in any way.It can be customized based on standard slip ring,please contact customer service for more detmalls.

Electrical parameters

Project	Power	Siana
Rated Voltage	0~690VAC/VDC	0~440VAC/VDC
Insulation Resistance	≥1000MΩ/1000VDC	≥1000MΩ/500VDC
Lead Wires	AWG16#Teflon	AWG22#Teflon
Lead Length	Standard 300mm(adjustable)	
Insulation Strength	1000VAC@50Hz, 60s	
Electrical Noise	<0.01Ω	

Mechanical Data

Project	Value
Working Life	See Product Quality Level Table
Rotating Speed	See Product Quality Level Table
Working Temperature	-30°C~80°C
Operating Humidity	0~85% RH
Contact Material	See Product Quality Level Table
Housing Material	Aluminium Alloy / Engineering plastic
Torque	0.1N.m, +0.03N.m/6rings
Protection Grade	IP51

Product Quality Level Table

Products Level Code	Max Rotating Speed	Working Life	Contact Material
VC	250RPM	20 Million Revs	Precious Metal
VD	600RPM	50 Million Revs	Gold-plated
VH	1000RPM	100 Million Revs	Gold-Gold

Lead Wires Color Code

Ring	1	2	3	4	5	6	7	8	9	10	11	12
Color	BLK	RED	YEL	GRN	BLU	WHT	BLK	RED	YEL	GRN	BLU	WHT

(6 wires for 1 group color, from 7-12, repeat the same color as 1...6, indicated with number code pipe)

Options For Custom Slip Ring

Note: Below special demands can be customized. According, the delivery date will be extended 3 to 15 days; also the cost will be increased 30% to 50%. Most of our basic parts are standard and modular, which can save the cost and lead time.

1. Cable exit way and cable length can be customized for both rotor and stator.
2. Because of the structure limitation, length/height/OD can be customized on your request.
3. Support current or signal up to 200 rings.
4. Aviation plug, terminal and heat-shrink tube are optional.
5. Hybrid slip ring for Yaskawa/Panasonic/Siemens servo control signal, power line and encoder line.

6. Support mixed high speed data transmission (including Ethernet, USB, RS232, RS485, Profibus, CanBUS, CANOPEN, DeviceNET, CC-LINK, ProfiNET, EtherCAT, etc.)
 7. Can combine temperature control signal with thermocouple signal.
 8. Special environment can be customized, such as quakeproof, high temperature, etc.
 9. Hybrid Pneumatic/hydraulic and electric slip ring can be mixed.
 10. High temperature can up to 500 degrees.
 11. High pressure can up to 110KV
 12. Rotating speed can up to 10000RPM
 13. Maximum current can up to 5000 amperes.1Military grade
 14. Optional for underwater IP65, Ip68.
 15. Optional for stainless steel housing
- Technical support: Info@orbinexus.com

BH50130 SERIES

BH50130 series provides a 50mm through-bore for routing of hydraulic or pneumatic lines or hydraulic or pneumatic rotating shaft installation, and a compact 130mm outside diameter, features long life, fiber brush contact technology for ultimate performance in many challenging applications. BH50130 series are standard, off-the-shelf products, Color-coded lead wires are used on both the stator and rotor for simplified electrical connections. It can transmit signal (2A), 10A, multiple 10A current when 360° degree free rotating.

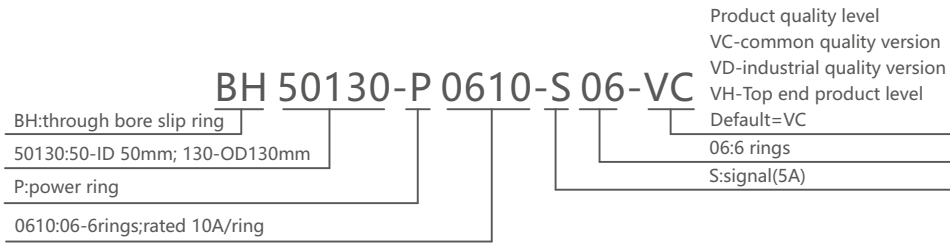
Product images



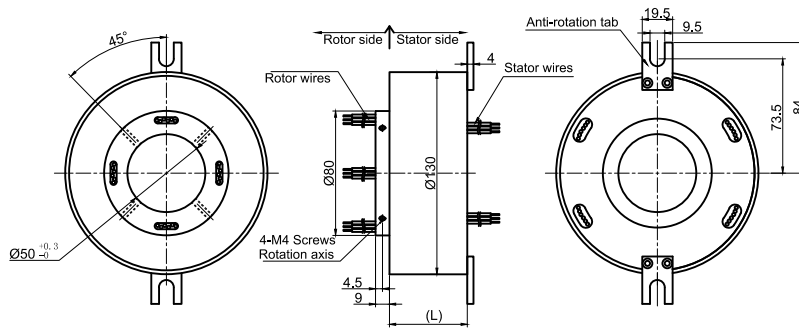
The pictures are for reference only

As the signal pathway increases or the combination of light and electricity results in changes in the appearance and size of the product, the actual product shall prevail.

Part# Explanation



Dimensions



BH50130 Series Parts# List

Part#	10A	Signal or 5A	Length-L (mm)
BH50130-S02	0	2	35.6
BH50130-P0210	2	0	35.6
BH50130-S03	0	3	39.2
BH50130-P0310	3	0	39.2
BH50130-S06	0	6	50
BH50130-P0210-S04	2	4	50
BH50130-P0410-S02	4	2	50
BH50130-P0610	6	0	50
BH50130-S12	0	12	71.6
BH50130-P0210-S10	2	10	71.6
BH50130-P0310-S09	3	9	71.6
BH50130-P0610-S06	6	6	71.6
BH50130-P0810-S04	8	4	71.6
BH50130-P1010-S02	10	2	71.6
BH50130-P1210	12	0	71.6
BH50130-S18	0	18	93.2
BH50130-P0210-S16	2	16	93.2
BH50130-P0410-S14	4	14	93.2
BH50130-P0610-S12	6	12	93.2
BH50130-P0810-S10	8	10	93.2
BH50130-P1010-S08	10	18	93.2
BH50130-P1210-S06	12	6	93.2
BH50130-P1410-S04	14	4	93.2
BH50130-P1610-S02	16	2	93.2

BH50130 Series Parts# List

Part#	10A	Signal or 5A	Length-L (mm)
BH50130-S24	0	24	114.8
BH50130-P0410-S20	4	20	114.8
BH50130-P0610-S18	6	18	114.8
BH50130-P1210-S12	12	12	114.8
BH50130-P1810-S06	18	6	114.8
BH50130-P2410	24	0	114.8
BH50130-S30	0	30	136.4
BH50130-P0610-S24	6	24	136.4
BH50130-P1210-S18	12	18	136.4
BH50130-P1810-S12	18	12	136.4
BH50130-P2410-S06	24	6	136.4
BH50130-P3010	30	0	136.4
BH50130-S36	0	36	162
BH50130-P0610-S30	6	30	162
BH50130-P1210-S24	12	24	162
BH50130-P3610	36	0	162
BH50130-S42	0	42	186.2
BH50130-P0610-S36	6	36	186.2
BH50130-P1210-S30	12	30	186.2
BH50130-S48	0	48	207.8
BH50130-P0610-S42	6	42	207.8
BH50130-P0910-S39	9	39	207.8
BH50130-P1210-S36	12	36	207.8
BH50130-P1810-S30	18	30	207.8
BH50130-P2410-S24	24	24	207.8
BH50130-S60	0	60	251
BH50130-P0610-S54	6	54	251
BH50130-P0910-S51	9	51	251
BH50130-P1210-S48	12	48	251
BH50130-S72	0	72	298.2
BH50130-P0610-S66	6	66	298.2
BH50130-P1210-S60	12	60	298.2
BH50130-P2410-S48	24	48	298.2
BH50130-P3610-S36	36	36	298.2
BH50130-S84	0	84	341.4
BH50130-P1210-S72	12	72	341.4
BH50130-P2410-S60	24	60	341.4
BH50130-P3610-S48	36	48	341.4
BH50130-S96	0	96	384.6
BH50130-P1210-S84	12	84	384.6
BH50130-P2410-S72	24	72	384.6
BH50130-P3610-S60	36	60	384.6
BH50130-P4210-S54	42	54	384.6
BH50130-S108	0	108	431.8
BH50130-P1210-S96	12	96	431.8
BH50130-P2410-S84	24	84	431.8
BH50130-P3610-S72	36	72	431.8
BH50130-S120	0	120	475

BH50130 Series Parts# List

Part#	10A	Signal or 5A	Length-L (mm)
BH50130-P1210-S108	12	108	475
BH50130-P2410-S96	24	96	475
BH50130-P3610-S84	36	84	475
BH50130-P4810-S72	48	72	475
BH50130-S132	0	132	518.2
BH50130-P1210-S120	12	120	518.2
BH50130-P2410-S108	24	108	518.2
BH50130-P3610-S96	36	96	518.2
BH50130-P4810-S84	48	84	518.2
BH50130-S144	0	114	561.4
BH50130-P1210-S132	12	132	561.4
BH50130-P2410-S120	24	120	561.4
BH50130-P3610-S108	36	108	561.4
BH50130-P4810-S96	48	96	561.4

Note: N channels 10A rings parallel can be used as 1 channel N*10A current. For example: 2 rings 10A parallel could be used as 1 wires 20A. 10A,5A (signal) can combine freely in any way.It can be customized based on standard slip ring,please contact customer service for more detmails.

Electrical parameters

Project	Power	Siana
Rated Voltage	0~690VAC/VDC	0~440VAC/VDC
Insulation Resistance	≥1000MΩ/1000VDC	≥1000MΩ/500VDC
Lead Wires	AWG16#Teflon	AWG22#Teflon
Lead Length	Standard 300mm(adjustable)	
Insulation Strength	1000VAC@50Hz, 60s	
Electrical Noise	<0.01Ω	

Mechanical Data

Project	Value
Working Life	See Product Quality Level Table
Rotating Speed	See Product Quality Level Table
Working Temperature	-30°C~80°C
Operating Humidity	0~85% RH
Contact Material	See Product Quality Level Table
Housing Material	Aluminium Alloy / Engineering plastic
Torque	0.1N.m, +0.03N.m/6rings
Protection Grade	IP51

Product Quality Level Table

Products Level Code	Max Rotating Speed	Working Life	Contact Material
VC	250RPM	20 Million Revs	Precious Metal
VD	600RPM	50 Million Revs	Gold-plated
VH	1000RPM	100 Million Revs	Gold-Gold

Lead Wires Color Code

Ring	1	2	3	4	5	6	7	8	9	10	11	12
Color	BLK	RED	YEL	GRN	BLU	WHT	BLK	RED	YEL	GRN	BLU	WHT

(6 wires for 1 group color, from 7-12, repeat the same color as 1...6, indicated with number code pipe)

Options For Custom Slip Ring

Note: Below special demands can be customized. According, the delivery date will be extended 3 to 15 days; also the cost will be increased 30% to 50%. Most of our basic parts are standard and modular, which can save the cost and lead time.

1. Cable exit way and cable length can be customized for both rotor and stator.
2. Because of the structure limitation, length/height/OD can be customized on your request.
3. Support current or signal up to 200 rings.
4. Aviation plug, terminal and heat-shrink tube are optional.
5. Hybrid slip ring for Yaskawa/Panasonic/Siemens servo control signal, power line and encoder line.
6. Support mixed high speed data transmission (including Ethernet, USB, RS232, RS485, Profibus, CanBUS, CANOPEN, DeviceNET, CC-LINK, ProfiNET, EtherCAT, etc.)
7. Can combine temperature control signal with thermocouple signal.
8. Special environment can be customized, such as quakeproof, high temperature, etc.
9. Hybrid Pneumatic/hydraulic and electric slip ring can be mixed.
10. High temperature can up to 500 degrees.
11. High pressure can up to 110KV
12. Rotating speed can up to 10000RPM
13. Maximum current can up to 5000 amperes. 1Military grade
14. Optional for underwater IP65, Ip68.
15. Optional for stainless steel housing

Technical support: Info@orbinexus.com

BH60130 SERIES

BH60130 series provides a 60mm through-bore for routing of hydraulic or pneumatic lines or hydraulic or pneumatic rotating shaft installation, and a compact 130mm outside diameter, features long life, fiber brush contact technology for ultimate performance in many challenging applications. BH60130 series are standard, off-the-shelf products, Color-coded lead wires are used on both the stator and rotor for simplified electrical connections. It can transmit signal (2A), 10A, multiple 10A current when 360° degree free rotating.

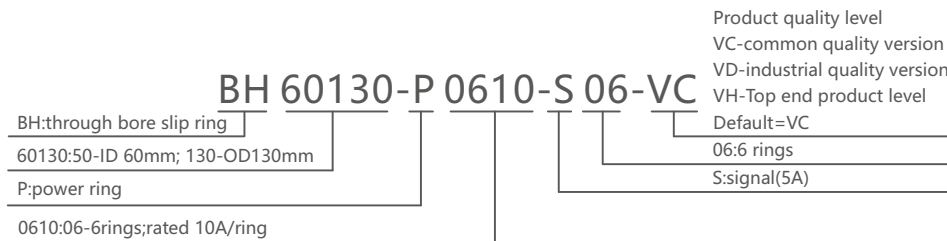
Product images



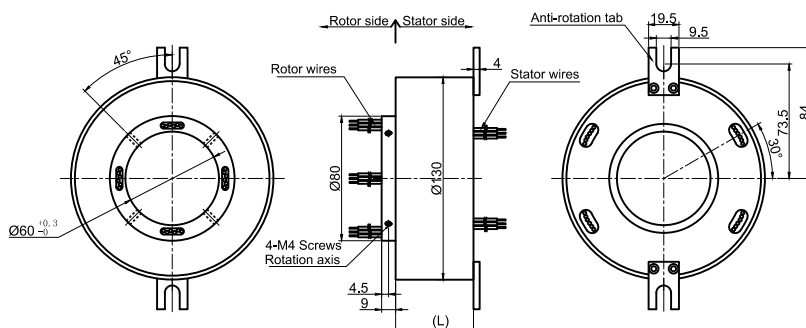
The pictures are for reference only

As the signal pathway increases or the combination of light and electricity results in changes in the appearance and size of the product, the actual product shall prevail.

Part# Explanation



Dimensions



BH60130 Series Parts# List

Part#	10A	Signal or 5A	Length-L (mm)
BH60130-S02	0	2	35.6
BH60130-P0210	2	0	35.6
BH60130-S03	0	3	39.2
BH60130-P0310	3	0	39.2
BH60130-S06	0	6	50
BH60130-P0210-S04	2	4	50
BH60130-P0410-S02	4	2	50
BH60130-P0610	6	0	50
BH60130-S12	0	12	71.6
BH60130-P0210-S10	2	10	71.6
BH60130-P0310-S09	3	9	71.6
BH60130-P0610-S06	6	6	71.6
BH60130-P0810-S04	8	4	71.6
BH60130-P1010-S02	10	2	71.6
BH60130-P1210	12	0	71.6
BH60130-S18	0	18	93.2
BH60130-P0210-S16	2	16	93.2
BH60130-P0410-S14	4	14	93.2
BH60130-P0610-S12	6	12	93.2
BH60130-P0810-S10	8	10	93.2
BH60130-P1010-S08	10	8	93.2
BH60130-P1210-S06	12	6	93.2
BH60130-P1410-S04	14	4	93.2
BH60130-P1610-S02	16	2	93.2

BH60130 Series Parts# List

Part#	10A	Signal or 5A	Length-L (mm)
BH60130-S24	0	24	114.8
BH60130-P0410-S20	4	20	114.8
BH60130-P0610-S18	6	18	114.8
BH60130-P1210-S12	12	12	114.8
BH60130-P1810-S06	18	6	114.8
BH60130-P2410	24	0	114.8
BH60130-S30	0	30	136.4
BH60130-P0610-S24	6	24	136.4
BH60130-P1210-S18	12	18	136.4
BH60130-P1810-S12	18	12	136.4
BH60130-P2410-S06	24	6	136.4
BH60130-P3010	30	0	136.4
BH60130-S36	0	36	162
BH60130-P0610-S30	6	30	162
BH60130-P1210-S24	12	24	162
BH60130-P3610	36	0	162
BH60130-S42	0	42	186.2
BH60130-P0610-S36	6	36	186.2
BH60130-P1210-S30	12	30	186.2
BH60130-S48	0	48	207.8
BH60130-P0610-S42	6	42	207.8
BH60130-P0910-S39	9	39	207.8
BH60130-P1210-S36	12	36	207.8
BH60130-P1810-S30	18	30	207.8
BH60130-P2410-S24	24	24	207.8
BH60130-S60	0	60	251
BH60130-P0610-S54	6	54	251
BH60130-P0910-S51	9	51	251
BH60130-P1210-S48	12	48	251
BH60130-S72	0	72	298.2
BH60130-P0610-S66	6	66	298.2
BH60130-P1210-S60	12	60	298.2
BH60130-P2410-S48	24	48	298.2
BH60130-P3610-S36	36	36	298.2
BH60130-S84	0	84	341.4
BH60130-P1210-S72	12	72	341.4
BH60130-P2410-S60	24	60	341.4
BH60130-P3610-S48	36	48	341.4
BH60130-S96	0	96	384.6
BH60130-P1210-S84	12	84	384.6
BH60130-P2410-S72	24	72	384.6
BH60130-P3610-S60	36	60	384.6
BH60130-P4210-S54	42	54	384.6
BH60130-S108	0	108	431.8
BH60130-P1210-S96	12	96	431.8
BH60130-P2410-S84	24	84	431.8
BH60130-P3610-S72	36	72	431.8
BH60130-P4810-S60	48	60	431.8

Note: N channels 10A rings parallel can be used as 1 channel N*10A current. For example: 2 rings 10A parallel could be used as 1 wires 20A. 10A,5A (signal) can combine freely in any way.It can be customized based on standard slip ring,please contact customer service for more detmails.

Electrical parameters

Project	Power	Siana
Rated Voltage	0~690VAC/VDC	0~440VAC/VDC
Insulation Resistance	≥1000MΩ/1000VDC	≥1000MΩ/500VDC
Lead Wires	AWG16#Teflon	AWG22#Teflon
Lead Length	Standard 300mm(adjustable)	
Insulation Strength	1000VAC@50Hz, 60s	
Electrical Noise	<0.01Ω	

Mechanical Data

Project	Value
Working Life	See Product Quality Level Table
Rotating Speed	See Product Quality Level Table
Working Temperature	-30°C~80°C
Operating Humidity	0~85% RH
Contact Material	See Product Quality Level Table
Housing Material	Aluminium Alloy / Engineering plastic
Torque	0.1N.m, +0.03N.m/6rings
Protection Grade	IP51

Product Quality Level Table

Products Level Code	Max Rotating Speed	Working Life	Contact Material
VC	250RPM	20 Million Revs	Precious Metal
VD	600RPM	50 Million Revs	Gold-plated
VH	1000RPM	100 Million Revs	Gold-Gold

Lead Wires Color Code

Ring	1	2	3	4	5	6	7	8	9	10	11	12
Color	BLK	RED	YEL	GRN	BLU	WHT	BLK	RED	YEL	GRN	BLU	WHT

(6 wires for 1 group color, from 7-12, repeat the same color as 1...6, indicated with number code pipe)

Options For Custom Slip Ring

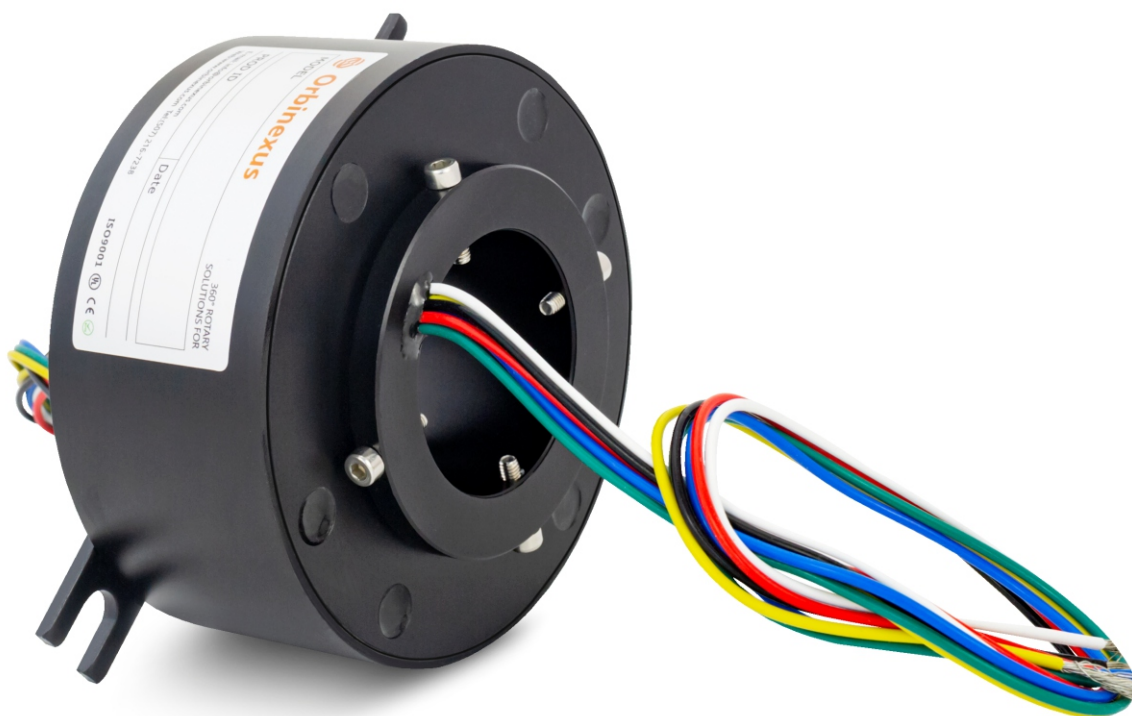
Note: Below special demands can be customized. According, the delivery date will be extended 3 to 15 days; also the cost will be increased 30% to 50%. Most of our basic parts are standard and modular, which can save the cost and lead time.

1. Cable exit way and cable length can be customized for both rotor and stator.
 2. Because of the structure limitation, length/height/OD can be customized on your request.
 3. Support current or signal up to 200 rings.
 4. Aviation plug, terminal and heat-shrink tube are optional.
 5. Hybrid slip ring for Yaskawa/Panasonic/Siemens servo control signal, power line and encoder line.
 6. Support mixed high speed data transmission (including Ethernet, USB, RS232, RS485, Profibus, CanBUS, CANOPEN, DeviceNET, CC-LINK, ProfiNET, EtherCAT, etc.)
 7. Can combine temperature control signal with thermocouple signal.
 8. Special environment can be customized, such as quakeproof, high temperature, etc.
 9. Hybrid Pneumatic/hydraulic and electric slip ring can be mixed.
 10. High temperature can up to 500 degrees.
 11. High pressure can up to 110KV
 12. Rotating speed can up to 10000RPM
 13. Maximum current can up to 5000 amperes.1Military grade
 14. Optional for underwater IP65, Ip68.
 15. Optional for stainless steel housing
- Technical support: Info@orbinexus.com

BH70158 SERIES

BH70158 series provides a 70mm through-bore for routing of hydraulic or pneumatic lines or hydraulic or pneumatic rotating shaft installation, and a compact 158mm outside diameter, features long life, fiber brush contact technology for ultimate performance in many challenging applications. BH70158 series are standard, off-the-shelf products, Color-coded lead wires are used on both the stator and rotor for simplified electrical connections. It can transmit signal (2A), 10A, multiple 10A current when 360° degree free rotating.

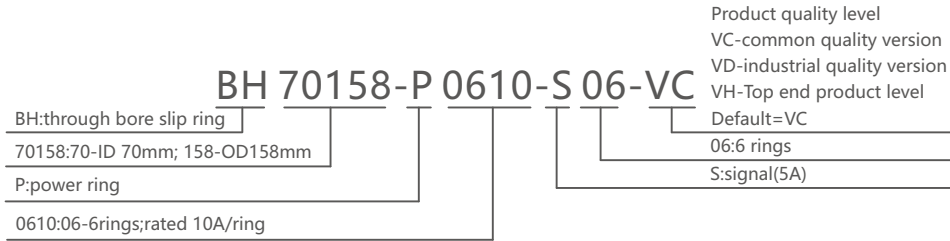
Product images



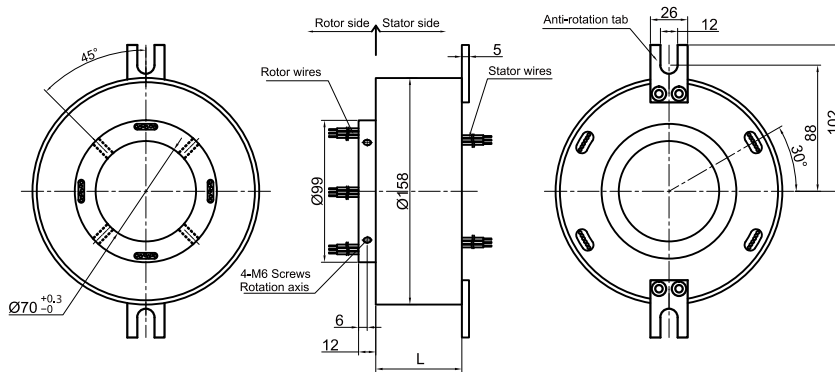
The pictures are for reference only

As the signal pathway increases or the combination of light and electricity results in changes in the appearance and size of the product, the actual product shall prevail.

Part# Explanation



Dimensions



BH70158 Series Parts# List

Part#	10A	Signal or 5A	Length-L (mm)
BH70158-S02	0	2	45.6
BH70158-P0210	2	0	45.6
BH70158-S03	0	3	49.2
BH70158-P0310	3	0	49.2
BH70158-S06	0	6	60
BH70158-P0210-S04	2	4	60
BH70158-P0410-S02	4	2	60
BH70158-P0610	6	0	60
BH70158-S12	0	12	81.6
BH70158-P0210-S10	2	10	81.6
BH70158-P0310-S09	3	9	81.6
BH70158-P0610-S06	6	6	81.6
BH70158-P0810-S04	8	4	81.6
BH70158-P1010-S02	10	2	81.6
BH70158-P1210	12	0	81.6
BH70158-S18	0	18	103.2
BH70158-P0210-S16	2	16	103.2
BH70158-P0410-S14	4	14	103.2
BH70158-P0610-S12	6	12	103.2
BH70158-P0810-S10	8	10	103.2
BH70158-P1010-S08	10	8	103.2
BH70158-P1210-S06	12	6	103.2
BH70158-P1410-S04	14	4	103.2
BH70158-P1610-S02	16	2	103.2

BH70158 Series Parts# List

Part#	10A	Signal or 5A	Length-L (mm)
BH70158-S24	0	24	124.8
BH70158-P0410-S20	4	20	124.8
BH70158-P0610-S18	6	18	124.8
BH70158-P1210-S12	12	12	124.8
BH70158-P1810-S06	18	6	124.8
BH70158-P2410	24	0	124.8
BH70158-S30	0	30	146.4
BH70158-P0610-S24	6	24	146.4
BH70158-P1210-S18	12	18	146.4
BH70158-P1810-S12	18	12	146.4
BH70158-P2410-S06	24	6	146.4
BH70158-P3010	30	0	146.4
BH70158-S36	0	36	172
BH70158-P0610-S30	6	30	172
BH70158-P1210-S24	12	24	172
BH70158-P3610	36	0	172
BH70158-S42	0	42	193.6
BH70158-P0610-S36	6	36	193.6
BH70158-P1210-S30	12	30	193.6
BH70158-S48	0	48	215.2
BH70158-P0610-S42	6	42	215.2
BH70158-P0910-S39	9	39	215.2
BH70158-P1210-S36	12	36	215.2
BH70158-P1810-S30	18	30	215.2
BH70158-P2410-S24	24	24	215.2
BH70158-S60	0	60	270
BH70158-P0610-S54	6	54	270
BH70158-P0910-S51	9	51	270
BH70158-P1210-S48	12	48	270
BH70158-S72	0	72	317.2
BH70158-P0610-S66	6	66	317.2
BH70158-P1210-S60	12	60	317.2
BH70158-P2410-S48	24	48	317.2
BH70158-P3610-S36	36	36	317.2
BH70158-S84	0	84	360.4
BH70158-P1210-S72	12	72	360.4
BH70158-P2410-S60	24	60	360.4
BH70158-P3610-S48	36	48	360.4
BH70158-S96	0	96	407.6
BH70158-P1210-S84	12	84	407.6
BH70158-P2410-S72	24	72	407.6
BH70158-P3610-S60	36	60	407.6
BH70158-P4210-S54	42	54	407.6
BH70158-S108	0	108	450.8
BH70158-P1210-S96	12	96	450.8
BH70158-P2410-S84	24	84	450.8
BH70158-P3610-S72	36	72	450.8
BH70158-P4810-S60	48	60	450.8

Note: N channels 10A rings parallel can be used as 1 channel N*10A current. For example: 2 rings 10A parallel could be used as 1 wires 20A. 10A,5A (signal) can combine freely in any way.It can be customized based on standard slip ring,please contact customer service for more detmails.

Electrical parameters

Project	Power	Siana
Rated Voltage	0~690VAC/VDC	0~440VAC/VDC
Insulation Resistance	≥1000MΩ/1000VDC	≥1000MΩ/500VDC
Lead Wires	AWG16#Teflon	AWG22#Teflon
Lead Length	Standard 300mm(adjustable)	
Insulation Strength	1000VAC@50Hz, 60s	
Electrical Noise	<0.01Ω	

Mechanical Data

Project	Value
Working Life	See Product Quality Level Table
Rotating Speed	See Product Quality Level Table
Working Temperature	-30°C~80°C
Operating Humidity	0~85% RH
Contact Material	See Product Quality Level Table
Housing Material	Aluminium Alloy / Engineering plastic
Torque	0.1N.m, +0.03N.m/Grings
Protection Grade	IP51

Product Quality Level Table

Products Level Code	Max Rotating Speed	Working Life	Contact Material
VC	150RPM	20 Million Revs	Precious Metal
VD	400RPM	50 Million Revs	Gold-plated
VH	800RPM	100 Million Revs	Gold-Gold

Lead Wires Color Code

Ring	1	2	3	4	5	6	7	8	9	10	11	12
Color	BLK	RED	YEL	GRN	BLU	WHT	BLK	RED	YEL	GRN	BLU	WHT

(6 wires for 1 group color, from 7-12, repeat the same color as 1...6, indicated with number code pipe)

Options For Custom Slip Ring

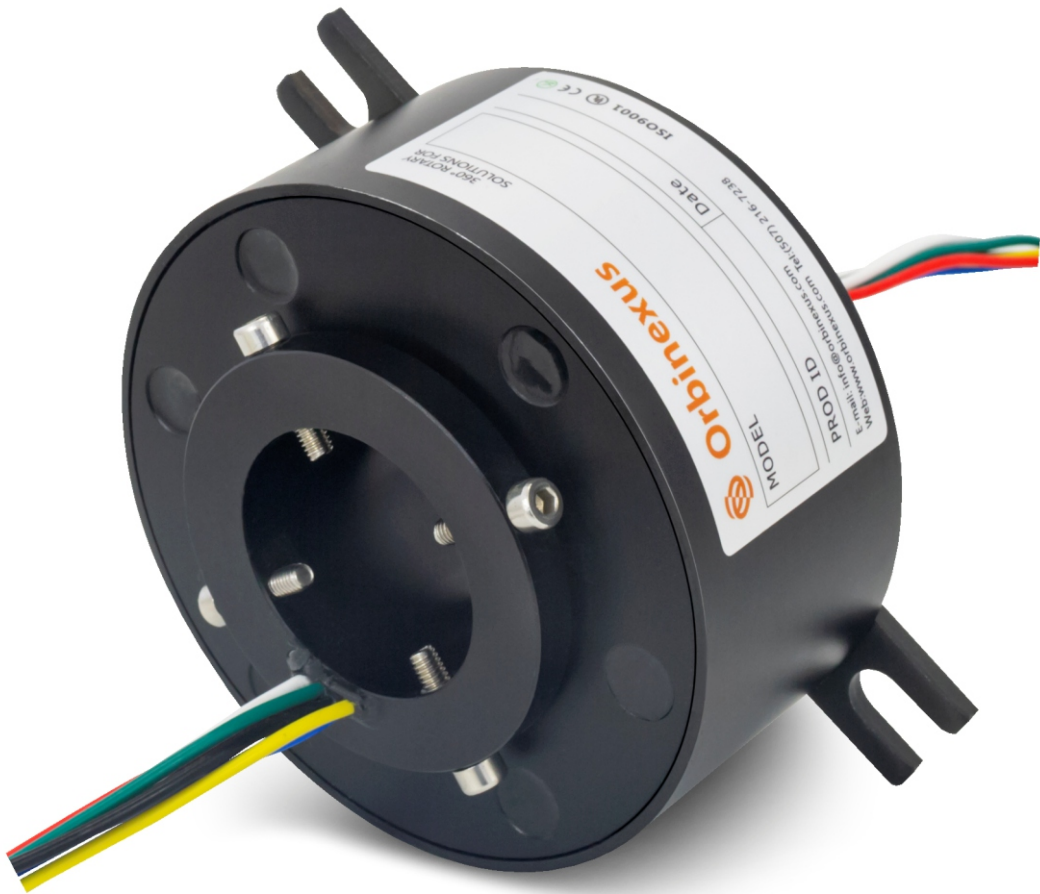
Note: Below special demands can be customized. According, the delivery date will be extended 3 to 15 days; also the cost will be increased 30% to 50%. Most of our basic parts are standard and modular, which can save the cost and lead time.

1. Cable exit way and cable length can be customized for both rotor and stator.
 2. Because of the structure limitation, length/height/OD can be customized on your request.
 3. Support current or signal up to 200 rings.
 4. Aviation plug, terminal and heat-shrink tube are optional.
 5. Hybrid slip ring for Yaskawa/Panasonic/Siemens servo control signal, power line and encoder line.
 6. Support mixed high speed data transmission (including Ethernet, USB, RS232, RS485, Profibus, CanBUS, CANOPEN, DeviceNET, CC-LINK, ProfiNET, EtherCAT, etc.)
 7. Can combine temperature control signal with thermocouple signal.
 8. Special environment can be customized, such as quakeproof, high temperature, etc.
 9. Hybrid Pneumatic/hydraulic and electric slip ring can be mixed.
 10. High temperature can up to 500 degrees.
 11. High pressure can up to 110KV
 12. Rotating speed can up to 10000RPM
 13. Maximum current can up to 5000 amperes.1Military grade
 14. Optional for underwater IP65, Ip68.
 15. Optional for stainless steel housing
- Technical support: Info@orbinexus.com

BH80158 SERIES

BH80158 series provides a 80mm through-bore for routing of hydraulic or pneumatic lines or hydraulic or pneumatic rotating shaft installation, and a compact 158mm outside diameter, features long life, fiber brush contact technology for ultimate performance in many challenging applications. BH80158 series are standard, off-the-shelf products, Color-coded lead wires are used on both the stator and rotor for simplified electrical connections. It can transmit signal (2A), 10A, multiple 10A current when 360° degree free rotating.

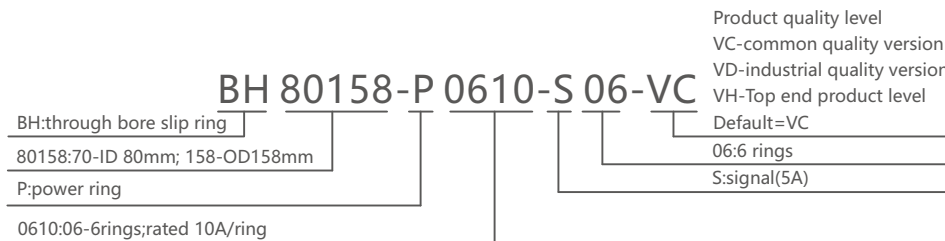
Product images



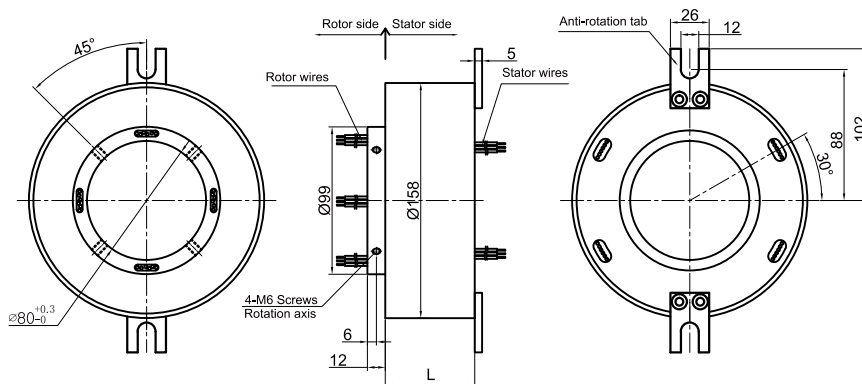
The pictures are for reference only

As the signal pathway increases or the combination of light and electricity results in changes in the appearance and size of the product, the actual product shall prevail.

Part# Explanation



Dimensions



BH80158 Series Parts# List

Part#	10A	Signal or 5A	Length-L (mm)
BH80158-S02	0	2	45.6
BH80158-P0210	2	0	45.6
BH80158-S03	0	3	49.2
BH80158-P0310	3	0	49.2
BH80158-S06	0	6	60
BH80158-P0210-S04	2	4	60
BH80158-P0410-S02	4	2	60
BH80158-P0610	6	0	60
BH80158-S12	0	12	81.6
BH80158-P0210-S10	2	10	81.6
BH80158-P0310-S09	3	9	81.6
BH80158-P0610-S06	6	6	81.6
BH80158-P0810-S04	8	4	81.6
BH80158-P1010-S02	10	2	81.6
BH80158-P1210	12	0	81.6
BH80158-S18	0	18	103.2
BH80158-P0210-S16	2	16	103.2
BH80158-P0410-S14	4	14	103.2
BH80158-P0610-S12	6	12	103.2
BH80158-P0810-S10	8	10	103.2
BH80158-P1010-S08	10	8	103.2
BH80158-P1210-S06	12	6	103.2
BH80158-P1410-S04	14	4	103.2
BH80158-P1610-S02	16	2	103.2

BH80158 Series Parts# List

Part#	10A	Signal or 5A	Length-L (mm)
BH80158-S24	0	24	124.8
BH80158-P0410-S20	4	20	124.8
BH80158-P0610-S18	6	18	124.8
BH80158-P1210-S12	12	12	124.8
BH80158-P1810-S06	18	6	124.8
BH80158-P2410	24	0	124.8
BH80158-S30	0	30	146.4
BH80158-P0610-S24	6	24	146.4
BH80158-P1210-S18	12	18	146.4
BH80158-P1810-S12	18	12	146.4
BH80158-P2410-S06	24	6	146.4
BH80158-P3010	30	0	146.4
BH80158-S36	0	36	172
BH80158-P0610-S30	6	30	172
BH80158-P1210-S24	12	24	172
BH80158-P3610	36	0	172
BH80158-S42	0	42	193.6
BH80158-P0610-S36	6	36	193.6
BH80158-P1210-S30	12	30	193.6
BH80158-S48	0	48	215.2
BH80158-P0610-S42	6	42	215.2
BH80158-P0910-S39	9	39	215.2
BH80158-P1210-S36	12	36	215.2
BH80158-P1810-S30	18	30	215.2
BH80158-P2410-S24	24	24	215.2
BH80158-S60	0	60	270
BH80158-P0610-S54	6	54	270
BH80158-P0910-S51	9	51	270
BH80158-P1210-S48	12	48	270
BH80158-S72	0	72	317.2
BH80158-P0610-S66	6	66	317.2
BH80158-P1210-S60	12	60	317.2
BH80158-P2410-S48	24	48	317.2
BH80158-P3610-S36	36	36	317.2
BH80158-S84	0	84	360.4
BH80158-P1210-S72	12	72	360.4
BH80158-P2410-S60	24	60	360.4
BH80158-P3610-S48	36	48	360.4
BH80158-S96	0	96	407.6
BH80158-P1210-S84	12	84	407.6
BH80158-P2410-S72	24	72	407.6
BH80158-P3610-S60	36	60	407.6
BH80158-P4210-S54	42	54	407.6
BH80158-S108	0	108	450.8
BH80158-P1210-S96	12	96	450.8
BH80158-P2410-S84	24	84	450.8
BH80158-P3610-S72	36	72	450.8
BH80158-P4810-S60	48	60	450.8

Note: N channels 10A rings parallel can be used as 1 channel N*10A current. For example: 2 rings 10A parallel could be used as 1 wires 20A. 10A,5A (signal) can combine freely in any way.It can be customized based on standard slip ring,please contact customer service for more detmails.

Electrical parameters

Project	Power	Siana
Rated Voltage	0~690VAC/VDC	0~440VAC/VDC
Insulation Resistance	≥1000MΩ/1000VDC	≥1000MΩ/500VDC
Lead Wires	AWG16#Teflon	AWG22#Teflon
Lead Length	Standard 300mm(adjustable)	
Insulation Strength	1000VAC@50Hz, 60s	
Electrical Noise	<0.01Ω	

Mechanical Data

Project	Value
Working Life	See Product Quality Level Table
Rotating Speed	See Product Quality Level Table
Working Temperature	-30°C~80°C
Operating Humidity	0~85% RH
Contact Material	See Product Quality Level Table
Housing Material	Aluminium Alloy / Engineering plastic
Torque	0.1N.m, +0.03N.m/6rings
Protection Grade	IP51

Product Quality Level Table

Products Level Code	Max Rotating Speed	Working Life	Contact Material
VC	150RPM	10 Million Revs	Precious Metal
VD	400RPM	30 Million Revs	Gold-plated
VH	800RPM	80 Million Revs	Gold-Gold

Lead Wires Color Code

Ring	1	2	3	4	5	6	7	8	9	10	11	12
Color	BLK	RED	YEL	GRN	BLU	WHT	BLK	RED	YEL	GRN	BLU	WHT

(6 wires for 1 group color, from 7-12, repeat the same color as 1...6, indicated with number code pipe)

Options For Custom Slip Ring

Note: Below special demands can be customized. According, the delivery date will be extended 3 to 15 days; also the cost will be increased 30% to 50%. Most of our basic parts are standard and modular, which can save the cost and lead time.

1. Cable exit way and cable length can be customized for both rotor and stator.
 2. Because of the structure limitation, length/height/OD can be customized on your request.
 3. Support current or signal up to 200 rings.
 4. Aviation plug, terminal and heat-shrink tube are optional.
 5. Hybrid slip ring for Yaskawa/Panasonic/Siemens servo control signal, power line and encoder line.
 6. Support mixed high speed data transmission (including Ethernet, USB, RS232, RS485, Profibus, CanBUS, CANOPEN, DeviceNET, CC-LINK, ProfiNET, EtherCAT, etc.)
 7. Can combine temperature control signal with thermocouple signal.
 8. Special environment can be customized, such as quakeproof, high temperature, etc.
 9. Hybrid Pneumatic/hydraulic and electric slip ring can be mixed.
 10. High temperature can up to 500 degrees.
 11. High pressure can up to 110KV
 12. Rotating speed can up to 10000RPM
 13. Maximum current can up to 5000 amperes. 1Military grade
 14. Optional for underwater IP65, Ip68.
 15. Optional for stainless steel housing
- Technical support: Info@orbinexus.com

BH90158 SERIES

BH90185 series provides a 90mm through-bore for routing of hydraulic or pneumatic lines or hydraulic or pneumatic rotating shaft installation, and a compact 185mm outside diameter, features long life, fiber brush contact technology for ultimate performance in many challenging applications. BH90185 series are standard, off-the-shelf products, Color-coded lead wires are used on both the stator and rotor for simplified electrical connections. It can transmit signal (2A), 10A, multiple 10A current when 360° degree free rotating.

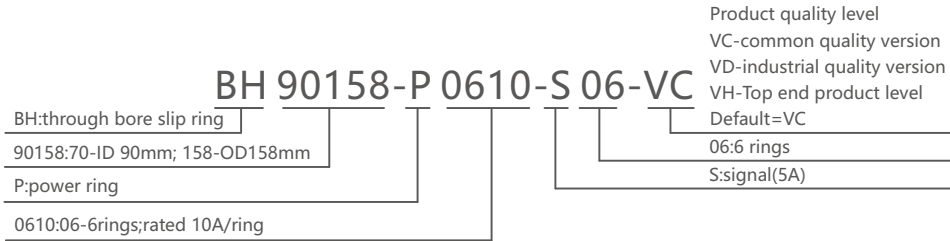
Product images



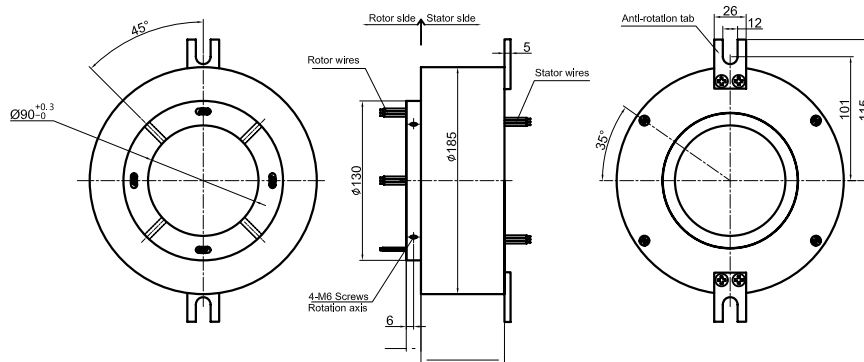
The pictures are for reference only

As the signal pathway increases or the combination of light and electricity results in changes in the appearance and size of the product, the actual product shall prevail.

Part# Explanation



Dimensions



BH90158 Series Parts# List

Part#	10A	Signal or 5A	Length-L (mm)
BH90185-S02	0	2	50
BH90185-P0210	2	0	50
BH90185-S03	0	3	54
BH90185-P0310	3	0	54
BH90185-S06	0	6	66
BH90185-P0210-S04	2	4	66
BH90185-P0410-S02	4	2	66
BH90185-P0610	6	0	66
BH90185-S12	0	12	90
BH90185-P0210-S10	2	10	90
BH90185-P0310-S09	3	9	90
BH90185-P0610-S06	6	6	90
BH90185-P0810-S04	8	4	90
BH90185-P1010-S02	10	2	90
BH90185-P1210	12	0	90
BH90185-S18	0	18	114
BH90185-P0210-S16	2	16	114
BH90185-P0410-S14	4	14	114
BH90185-P0610-S12	6	12	114
BH90185-P0810-S10	8	10	114
BH90185-P1010-S08	10	8	114
BH90185-P1210-S06	12	6	114
BH90185-P1410-S04	14	4	114
BH90185-P1610-S02	16	2	114

BH90158 Series Parts# List

Part#	10A	Signal or 5A	Length-L (mm)
BH90185-S24	0	24	138
BH90185-P0410-S20	4	20	138
BH90185-P0610-S18	6	18	138
BH90185-P1210-S12	12	12	138
BH90185-P1810-S06	18	6	138
BH90185-P2410	24	0	138
BH90185-S30	0	30	162
BH90185-P0610-S24	6	24	162
BH90185-P1210-S18	12	18	162
MT90185-P1810-S12	18	12	162
MT90185-P2410-S06	24	6	162
MT90185-P3010	30	0	162
BH90185-S36	0	36	190
BH90185-P0610-S30	6	30	190
BH90185-P1210-S24	12	24	190
BH90185-P3610	36	0	190
BH90185-S42	0	42	226
BH90185-P0610-S36	6	36	226
BH90185-P1210-S30	12	30	226
BH90185-S48	0	48	250
BH90185-P0610-S42	6	42	250
BH90185-P0910-S39	9	39	250
BH90185-P1210-S36	12	36	250
BH90185-P1810-S30	18	30	250
BH90185-P2410-S24	24	24	250
BH90185-S60	0	60	298
BH90185-P0610-S54	6	54	298
BH90185-P0910-S51	9	51	298
BH90185-P1210-S48	12	48	298
BH90185-S72	0	72	350
BH90185-P0610-S66	6	66	350
BH90185-P1210-S60	12	60	350
BH90185-P2410-S48	24	48	350
BH90185-P3610-S36	36	36	350
BH90185-S84	0	84	398
BH90185-P1210-S72	12	72	398
BH90185-P2410-S60	24	60	398
BH90185-P3610-S48	36	48	398
BH90185-S96	0	96	450
BH90185-P1210-S84	12	84	450
BH90185-P2410-S72	24	72	450
BH90185-P3610-S60	36	60	450
BH90185-P4210-S54	42	54	450
BH90185-S108	0	108	498
BH90185-P1210-S96	12	96	498
MT90185-P2410-S84	24	84	498
MT90185-P3610-S72	36	72	498
MT90185-P4810-S60	48	60	498

Note: N channels 10A rings parallel can be used as 1 channel N*10A current. For example: 2 rings 10A parallel could be used as 1 wires 20A. 10A,5A (signal) can combine freely in any way.It can be customized based on standard slip ring,please contact customer service for more detmails.

Electrical parameters

Project	Power	Siana
Rated Voltage	0~690VAC/VDC	0~440VAC/VDC
Insulation Resistance	≥1000MΩ/1000VDC	≥1000MΩ/500VDC
Lead Wires	AWG16#Teflon	AWG22#Teflon
Lead Length	Standard 300mm(adjustable)	
Insulation Strength	1000VAC@50Hz, 60s	
Electrical Noise	<0.01Ω	

Mechanical Data

Project	Value
Working Life	See Product Quality Level Table
Rotating Speed	See Product Quality Level Table
Working Temperature	-30°C~80°C
Operating Humidity	0~85% RH
Contact Material	See Product Quality Level Table
Housing Material	Aluminium Alloy / Engineering plastic
Torque	0.1N.m, +0.03N.m/6rings
Protection Grade	IP51

Product Quality Level Table

Products Level Code	Max Rotating Speed	Working Life	Contact Material
VC	150RPM	10 Million Revs	Precious Metal
VD	400RPM	30 Million Revs	Gold-plated
VH	800RPM	80 Million Revs	Gold-Gold

Lead Wires Color Code

Ring	1	2	3	4	5	6	7	8	9	10	11	12
Color	BLK	RED	YEL	GRN	BLU	WHT	BLK	RED	YEL	GRN	BLU	WHT

(6 wires for 1 group color, from 7-12, repeat the same color as 1...6, indicated with number code pipe)

Options For Custom Slip Ring

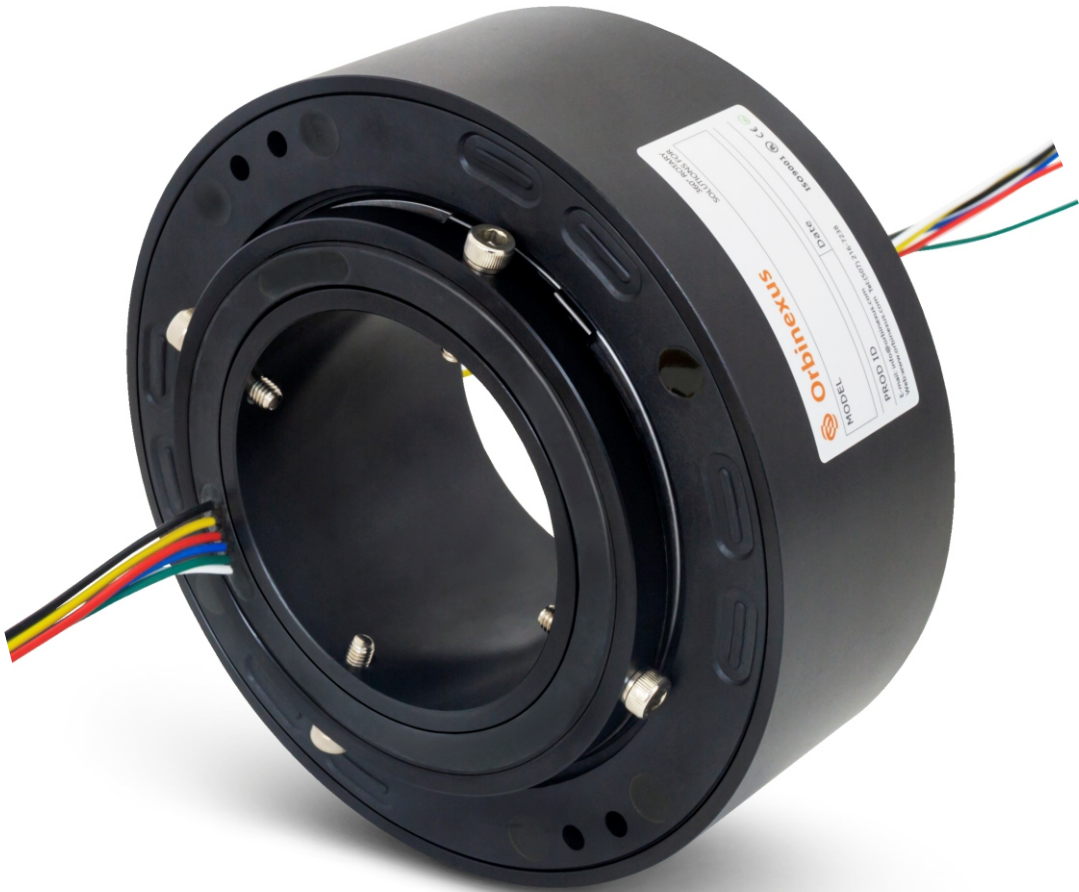
Note: Below special demands can be customized. According, the delivery date will be extended 3 to 15 days; also the cost will be increased 30% to 50%. Most of our basic parts are standard and modular, which can save the cost and lead time.

1. Cable exit way and cable length can be customized for both rotor and stator.
 2. Because of the structure limitation, length/height/OD can be customized on your request.
 3. Support current or signal up to 200 rings.
 4. Aviation plug, terminal and heat-shrink tube are optional.
 5. Hybrid slip ring for Yaskawa/Panasonic/Siemens servo control signal, power line and encoder line.
 6. Support mixed high speed data transmission (including Ethernet, USB, RS232, RS485, Profibus, CanBUS, CANOPEN, DeviceNET, CC-LINK, ProfiNET, EtherCAT, etc.)
 7. Can combine temperature control signal with thermocouple signal.
 8. Special environment can be customized, such as quakeproof, high temperature, etc.
 9. Hybrid Pneumatic/hydraulic and electric slip ring can be mixed.
 10. High temperature can up to 500 degrees.
 11. High pressure can up to 110KV
 12. Rotating speed can up to 10000RPM
 13. Maximum current can up to 5000 amperes. 1Military grade
 14. Optional for underwater IP65, Ip68.
 15. Optional for stainless steel housing
- Technical support: Info@orbinexus.com

BH100185 SERIES

BH100185 series provides a 100mm through-bore for routing of hydraulic or pneumatic lines or hydraulic or pneumatic rotating shaft installation, and a compact 185mm outside diameter, features long life, fiber brush contact technology for ultimate performance in many challenging applications. BH100185 series are standard, off-the-shelf products, Color-coded lead wires are used on both the stator and rotor for simplified electrical connections. It can transmit signal (2A), 10A, multiple 10A current when 360° degree free rotating.

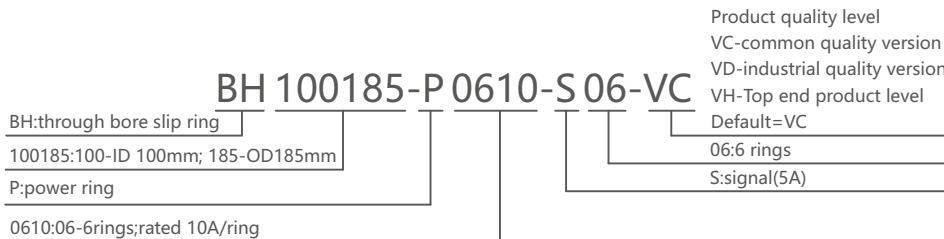
Product images



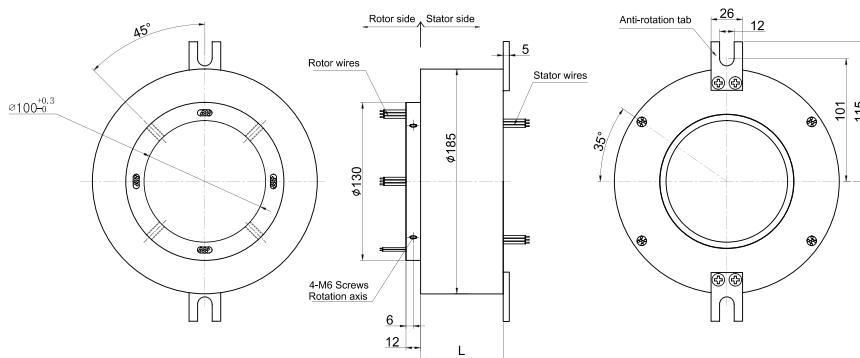
The pictures are for reference only

As the signal pathway increases or the combination of light and electricity results in changes in the appearance and size of the product, the actual product shall prevail.

Part# Explanation



Dimensions



BH100185 Series Parts# List

Part#	10A	Signal or 5A	Length-L (mm)
BH100185-S02	0	2	50
BH100185-P0210	2	0	50
BH100185-S03	0	3	54
BH100185-P0310	3	0	54
BH100185-S06	0	6	66
BH100185-P0210-S04	2	4	66
BH100185-P0410-S02	4	2	66
BH100185-P0610	6	0	66
BH100185-S12	0	12	90
BH100185-P0210-S10	2	10	90
BH100185-P0310-S09	3	9	90
BH100185-P0610-S06	6	6	90
BH100185-P0810-S04	8	4	90
BH100185-P1010-S02	10	2	90
BH100185-P1210	12	0	90
BH100185-S18	0	18	114
BH100185-P0210-S16	2	16	114
BH100185-P0410-S14	4	14	114
BH100185-P0610-S12	6	12	114
BH100185-P0810-S10	8	10	114
BH100185-P1010-S08	10	8	114
BH100185-P1210-S06	12	6	114
BH100185-P1410-S04	14	4	114
BH100185-P1610-S02	16	2	114

BH100185 Series Parts# List

Part#	10A	Signal or 5A	Length-L (mm)
BH100185-S24	0	24	138
BH100185-P0410-S20	4	20	138
BH100185-P0610-S18	6	18	138
BH100185-P1210-S12	12	12	138
BH100185-P1810-S06	18	6	138
BH100185-P2410	24	0	138
BH100185-S30	0	30	162
BH100185-P0610-S24	6	24	162
BH100185-P1210-S18	12	18	162
MT100185-P1810-S12	18	12	162
MT100185-P2410-S06	24	6	162
MT100185-P3010	30	0	162
BH100185-S36	0	36	190
BH100185-P0610-S30	6	30	190
BH100185-P1210-S24	12	24	190
BH100185-P3610	36	0	190
BH100185-S42	0	42	226
BH100185-P0610-S36	6	36	226
BH100185-P1210-S30	12	30	226
BH100185-S48	0	48	250
BH100185-P0610-S42	6	42	250
BH100185-P0910-S39	9	39	250
BH100185-P1210-S36	12	36	250
BH100185-P1810-S30	18	30	250
BH100185-P2410-S24	24	24	250
BH100185-S60	0	60	298
BH100185-P0610-S54	6	54	298
BH100185-P0910-S51	9	51	298
BH100185-P1210-S48	12	48	298
BH100185-S72	0	72	350
BH100185-P0610-S66	6	66	350
BH100185-P1210-S60	12	60	350
BH100185-P2410-S48	24	48	350
BH100185-P3610-S36	36	36	350
BH100185-S84	0	84	398
BH100185-P1210-S72	12	72	398
BH100185-P2410-S60	24	60	398
BH100185-P3610-S48	36	48	398
BH100185-S96	0	96	450
BH100185-P1210-S84	12	84	450
BH100185-P2410-S72	24	72	450
BH100185-P3610-S60	36	60	450
BH100185-P4210-S54	42	54	450
BH100185-S108	0	108	498
BH100185-P1210-S96	12	96	498
MT100185-P2410-S84	24	84	498
MT100185-P3610-S72	36	72	498
MT100185-P4810-S60	48	60	498

Note: N channels 10A rings parallel can be used as 1 channel N*10A current. For example: 2 rings 10A parallel could be used as 1 wires 20A. 10A,5A (signal) can combine freely in any way.It can be customized based on standard slip ring,please contact customer service for more detmails.

Electrical parameters

Project	Power	Siana
Rated Voltage	0~690VAC/VDC	0~440VAC/VDC
Insulation Resistance	≥1000MΩ/1000VDC	≥1000MΩ/500VDC
Lead Wires	AWG16#Teflon	AWG22#Teflon
Lead Length	Standard 300mm(adjustable)	
Insulation Strength	1000VAC@50Hz, 60s	
Electrical Noise	<0.01Ω	

Mechanical Data

Project	Value
Working Life	See Product Quality Level Table
Rotating Speed	See Product Quality Level Table
Working Temperature	-30°C~80°C
Operating Humidity	0~85% RH
Contact Material	See Product Quality Level Table
Housing Material	Aluminium Alloy / Engineering plastic
Torque	0.1N.m, +0.03N.m/6rings
Protection Grade	IP51

Product Quality Level Table

Products Level Code	Max Rotating Speed	Working Life	Contact Material
VC	150RPM	10 Million Revs	Precious Metal
VD	400RPM	30 Million Revs	Gold-plated
VH	800RPM	80 Million Revs	Gold-Gold

Lead Wires Color Code

Ring	1	2	3	4	5	6	7	8	9	10	11	12
Color	BLK	RED	YEL	GRN	BLU	WHT	BLK	RED	YEL	GRN	BLU	WHT

(6 wires for 1 group color, from 7-12, repeat the same color as 1...6, indicated with number code pipe)

Options For Custom Slip Ring

Note: Below special demands can be customized. According, the delivery date will be extended 3 to 15 days; also the cost will be increased 30% to 50%. Most of our basic parts are standard and modular, which can save the cost and lead time.

1. Cable exit way and cable length can be customized for both rotor and stator.
 2. Because of the structure limitation, length/height/OD can be customized on your request.
 3. Support current or signal up to 200 rings.
 4. Aviation plug, terminal and heat-shrink tube are optional.
 5. Hybrid slip ring for Yaskawa/Panasonic/Siemens servo control signal, power line and encoder line.
 6. Support mixed high speed data transmission (including Ethernet, USB, RS232, RS485, Profibus, CanBUS, CANOPEN, DeviceNET, CC-LINK, ProfiNET, EtherCAT, etc.)
 7. Can combine temperature control signal with thermocouple signal.
 8. Special environment can be customized, such as quakeproof, high temperature, etc.
 9. Hybrid Pneumatic/hydraulic and electric slip ring can be mixed.
 10. High temperature can up to 500 degrees.
 11. High pressure can up to 110KV
 12. Rotating speed can up to 10000RPM
 13. Maximum current can up to 5000 amperes.1Military grade
 14. Optional for underwater IP65, Ip68.
 15. Optional for stainless steel housing
- Technical support: Info@orbinexus.com

BH120215 SERIES

BH120185 series provides a 120mm through-bore for routing of hydraulic or pneumatic lines or hydraulic or pneumatic rotating shaft installation, and a compact 215mm outside diameter, features long life, fiber brush contact technology for ultimate performance in many challenging applications. BH120185 series are standard, off-the-shelf products, Color-coded lead wires are used on both the stator and rotor for simplified electrical connections. It can transmit signal (2A), 10A, multiple 10A current when 360° degree free rotating.

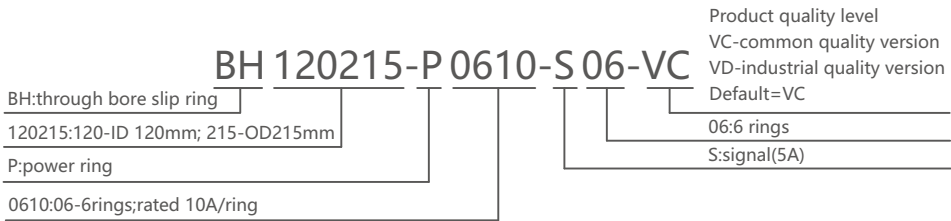
Product images



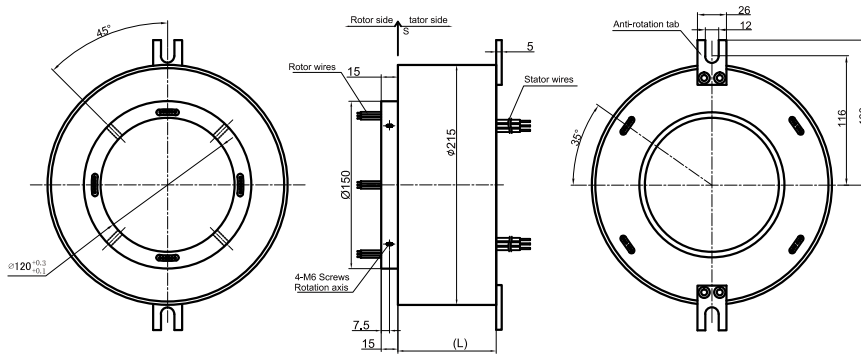
The pictures are for reference only

As the signal pathway increases or the combination of light and electricity results in changes in the appearance and size of the product, the actual product shall prevail.

Part# Explanation



Dimensions



BH120215 Series Parts# List

Part#	10A	Signal or 5A	Length-L (mm)
BH120215-S02	0	2	68
BH120215-P0210	2	0	68
BH120215-S03	0	3	73
BH120215-P0310	3	0	73
BH120215-S06	0	6	88
BH120215-P0210-S04	2	4	88
BH120215-P0410-S02	4	2	88
BH120215-P0610	6	0	88
BH120215-S12	0	12	118
BH120215-P0210-S10	2	10	118
BH120215-P0310-S09	3	9	118
BH120215-P0610-S06	6	6	118
BH120215-P0810-S04	8	4	118
BH120215-P1010-S02	10	2	118
BH120215-P1210	12	0	118
BH120215-S18	0	18	148
BH120215-P0210-S16	2	16	148
BH120215-P0410-S14	4	14	148
BH120215-P0610-S12	6	12	148
BH120215-P0810-S10	8	10	148
BH120215-P1010-S08	10	8	148
BH120215-P1210-S06	12	6	148
BH120215-P1410-S04	14	4	148
BH120215-P1610-S02	16	2	148

BH120215 Series Parts# List

Part#	10A	Signal or 5A	Length-L (mm)
BH120215-S24	0	24	178
BH120215-P0410-S20	4	20	178
BH120215-P0610-S18	6	18	178
BH120215-P1210-S12	12	12	178
BH120215-P1810-S06	18	6	178
BH120215-P2410	24	0	178
BH120215-S30	0	30	208
BH120215-P0610-S24	6	24	208
BH120215-P1210-S18	12	18	208
BH120215-P1810-S12	18	12	208
BH120215-P2410-S06	24	6	208
BH120215-P3010	30	0	208
BH120215-S36	0	36	243
BH120215-P0610-S30	6	30	243
BH120215-P1210-S24	12	24	243
BH120215-P3610	36	0	243
BH120215-S42	0	42	273
BH120215-P0610-S36	6	36	273
BH120215-P1210-S30	12	30	273
BH120215-S48	0	48	303
BH120215-P0610-S42	6	42	303
BH120215-P0910-S39	9	39	303
BH120215-P1210-S36	12	36	303
BH120215-P1810-S30	18	30	303
BH120215-P2410-S24	24	24	303
BH120215-S60	0	60	363
BH120215-P0610-S54	6	54	363
BH120215-P0910-S51	9	51	363
BH120215-P1210-S48	12	48	363
BH120215-S72	0	72	428
BH120215-P0610-S66	6	66	428
BH120215-P1210-S60	12	60	428
BH120215-P2410-S48	24	48	428
BH120215-P3610-S36	36	36	428
BH120215-S84	0	84	488
BH120215-P1210-S72	12	72	488
BH120215-P2410-S60	24	60	488
BH120215-P3610-S48	36	48	488
BH120215-S96	0	96	548
BH120215-P1210-S84	12	84	548
BH120215-P2410-S72	24	72	548
BH120215-P3610-S60	36	60	548
BH120215-P4210-S54	42	54	548
BH120215-S108	0	108	613
BH120215-P1210-S96	12	96	613
BH120215-P2410-S84	24	84	613
BH120215-P3610-S72	36	72	613
BH120215-P4810-S60	48	60	613

Note: N channels 10A rings parallel can be used as 1 channel N*10A current. For example: 2 rings 10A parallel could be used as 1 wires 20A. 10A,5A (signal) can combine freely in any way.It can be customized based on standard slip ring,please contact customer service for more detmails.

Electrical parameters

Project	Power	Siana
Rated Voltage	0~690VAC/VDC	0~440VAC/VDC
Insulation Resistance	≥1000MΩ/1000VDC	≥1000MΩ/500VDC
Lead Wires	AWG16#Teflon	AWG22#Teflon
Lead Length	Standard 300mm(adjustable)	
Insulation Strength	1000VAC@50Hz, 60s	
Electrical Noise	<0.01Ω	

Mechanical Data

Project	Value
Working Life	See Product Quality Level Table
Rotating Speed	See Product Quality Level Table
Working Temperature	-30°C~80°C
Operating Humidity	0~85% RH
Contact Material	See Product Quality Level Table
Housing Material	Aluminium Alloy / Engineering plastic
Torque	0.1N.m, +0.03N.m/Grings
Protection Grade	IP51

Product Quality Level Table

Products Level Code	Max Rotating Speed	Working Life	Contact Material
VC	150RPM	10 Million Revs	Precious Metal
VD	250RPM	20 Million Revs	Gold-plated

Lead Wires Color Code

Ring	1	2	3	4	5	6	7	8	9	10	11	12
Color	BLK	RED	YEL	GRN	BLU	WHT	BLK	RED	YEL	GRN	BLU	WHT

(6 wires for 1 group color, from 7-12, repeat the same color as 1...6, indicated with number code pipe)

Options For Custom Slip Ring

Note: Below special demands can be customized. According, the delivery date will be extended 3 to 15 days; also the cost will be increased 30% to 50%. Most of our basic parts are standard and modular, which can save the cost and lead time.

1. Cable exit way and cable length can be customized for both rotor and stator.
2. Because of the structure limitation, length/height/OD can be customized on your request.
3. Support current or signal up to 200 rings.

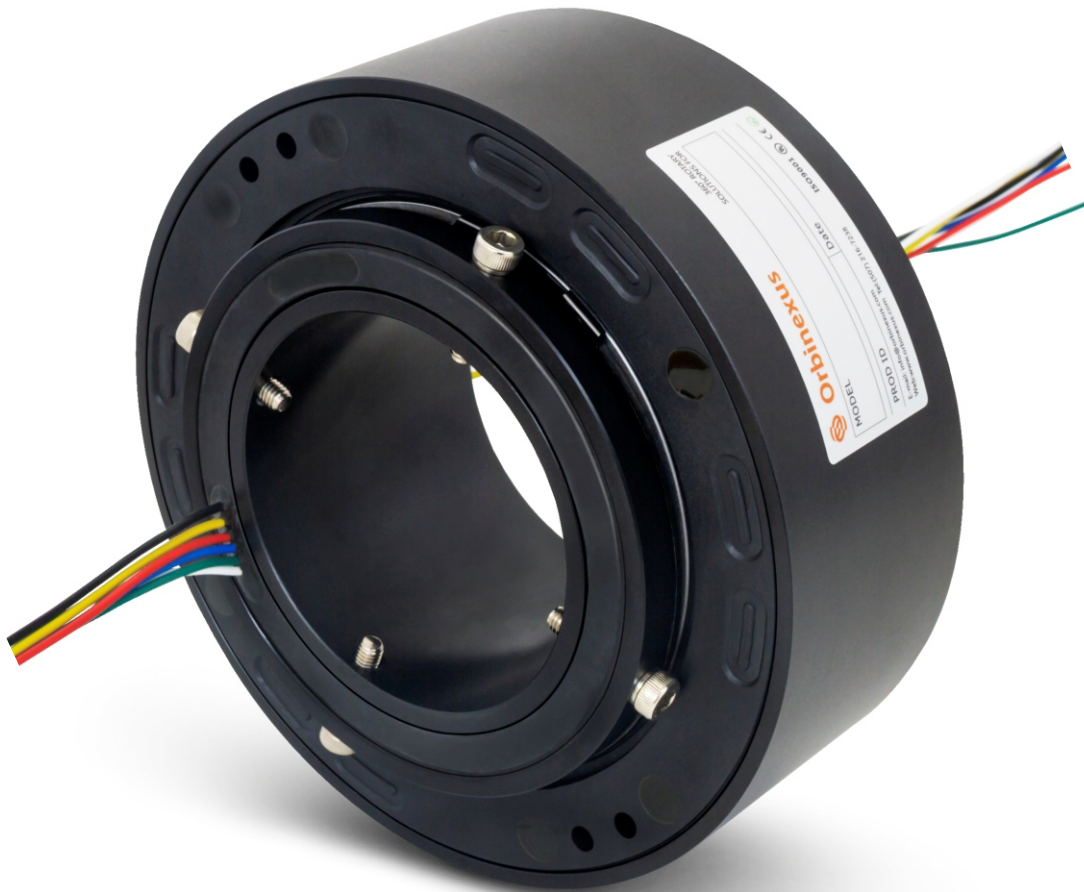
4. Aviation plug, terminal and heat-shrink tube are optional.
5. Hybrid slip ring for Yaskawa/Panasonic/Siemens servo control signal, power line and encoder line.
6. Support mixed high speed data transmission (including Ethernet, USB, RS232, RS485, Profibus, CanBUS, CANOPEN, DeviceNET, CC-LINK, ProfiNET, EtherCAT, etc.)
7. Can combine temperature control signal with thermocouple signal.
8. Special environment can be customized, such as quakeproof, high temperature, etc.
9. Hybrid Pneumatic/hydraulic and electric slip ring can be mixed.
10. High temperature can up to 500 degrees.
11. High pressure can up to 110KV
12. Rotating speed can up to 10000RPM
13. Maximum current can up to 5000 amperes. 1Military grade
14. Optional for underwater IP65, Ip68.
15. Optional for stainless steel housing

Technical support: Info@orbinexus.com

BH150248 SERIES

BH150248 series provides a 150mm through-bore for routing of hydraulic or pneumatic lines or hydraulic or pneumatic rotating shaft installation, and a compact 248mm outside diameter, features long life, fiber brush contact technology for ultimate performance in many challenging applications. BH150248 series are standard, off-the-shelf products, Color-coded lead wires are used on both the stator and rotor for simplified electrical connections. It can transmit signal (2A), 10A, multiple 10A current when 360° degree free rotating.

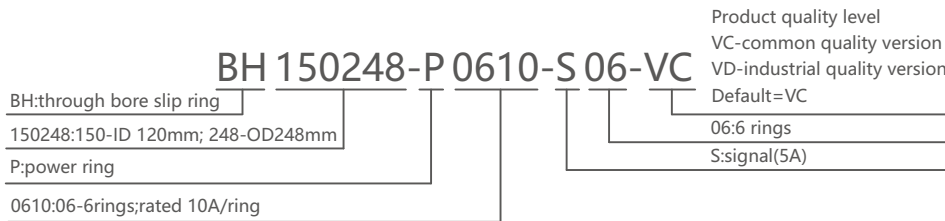
Product images



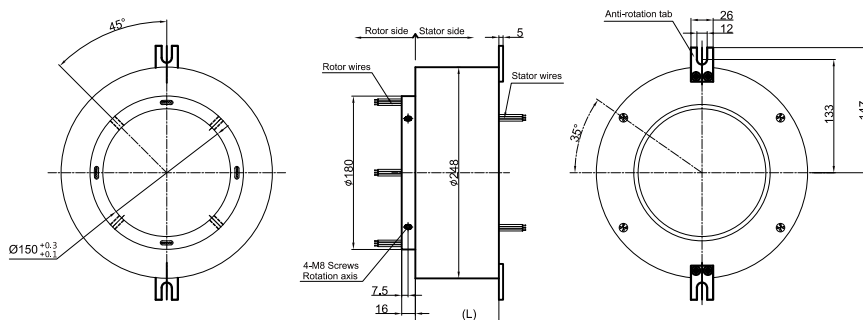
The pictures are for reference only

As the signal pathway increases or the combination of light and electricity results in changes in the appearance and size of the product, the actual product shall prevail.

Part# Explanation



Dimensions



BH150248 Series Parts# List

Part#	10A	Signal or 5A	Length-L (mm)
BH150248-S02	0	2	74
BH150248-P0210	2	0	74
BH150248-S03	0	3	80
BH150248-P0310	3	0	80
BH150248-S06	0	6	98
BH150248-P0210-S04	2	4	98
BH150248-P0410-S02	4	2	98
BH150248-P0610	6	0	98
BH150248-S12	0	12	134
BH150248-P0210-S10	2	10	134
BH150248-P0310-S09	3	9	134
BH150248-P0610-S06	6	6	134
BH150248-P0810-S04	8	4	134
BH150248-P1010-S02	10	2	134
BH150248-P1210	12	0	134
BH150248-S18	0	18	170
BH150248-P0210-S16	2	16	170
BH150248-P0410-S14	4	14	170
BH150248-P0610-S12	6	12	170
BH150248-P0810-S10	8	10	170
BH150248-P1010-S08	10	8	170
BH150248-P1210-S06	12	6	170
BH150248-P1410-S04	14	4	170
BH150248-P1610-S02	16	2	170

BH150248 Series Parts# List

Part#	10A	Signal or 5A	Length-L (mm)
BH150248-S24	0	24	206
BH150248-P0410-S20	4	20	206
BH150248-P0610-S18	6	18	206
BH150248-P1210-S12	12	12	206
BH150248-P1810-S06	18	6	206
BH150248-P2410	24	0	206
BH150248-S30	0	30	242
BH150248-P0610-S24	6	24	242
BH150248-P1210-S18	12	18	242
BH150248-P1810-S12	18	12	242
BH150248-P2410-S06	24	6	242
BH150248-P3010	30	0	242
BH150248-S36	0	36	284
BH150248-P0610-S30	6	30	284
BH150248-P1210-S24	12	24	284
BH150248-P3610	36	0	284
BH150248-S42	0	42	320
BH150248-P0610-S36	6	36	320
BH150248-P1210-S30	12	30	320
BH150248-S48	0	48	356
BH150248-P0610-S42	6	42	356
BH150248-P0910-S39	9	39	356
BH150248-P1210-S36	12	36	356
BH150248-P1810-S30	18	30	356
BH150248-P2410-S24	24	24	356
BH150248-S60	0	60	428
BH150248-P0610-S54	6	54	428
BH150248-P0910-S51	9	51	428
BH150248-P1210-S48	12	48	428
BH150248-S72	0	72	506
BH150248-P0610-S66	6	66	506
BH150248-P1210-S60	12	60	506
BH150248-P2410-S48	24	48	506
BH150248-P3610-S36	36	36	506
BH150248-S84	0	84	578
BH150248-P1210-S72	12	72	578
BH150248-P2410-S60	24	60	578
BH150248-P3610-S48	36	48	578
BH150248-S96	0	96	650
BH150248-P1210-S84	12	84	650
BH150248-P2410-S72	24	72	650
BH150248-P3610-S60	36	60	650
BH150248-P4210-S54	42	54	650
BH150248-S108	0	108	728
BH150248-P1210-S96	12	96	728
BH150248-P2410-S84	24	84	728
BH150248-P3610-S72	36	72	728
BH150248-P4810-S60	48	60	728

Note: N channels 10A rings parallel can be used as 1 channel N*10A current. For example: 2 rings 10A parallel could be used as 1 wires 20A. 10A,5A (signal) can combine freely in any way.It can be customized based on standard slip ring,please contact customer service for more detmails.

Electrical parameters

Project	Power	Siana
Rated Voltage	0~690VAC/VDC	0~440VAC/VDC
Insulation Resistance	≥1000MΩ/1000VDC	≥1000MΩ/500VDC
Lead Wires	AWG16#Teflon	AWG22#Teflon
Lead Length	Standard 300mm(adjustable)	
Insulation Strength	1000VAC@50Hz, 60s	
Electrical Noise	<0.01Ω	

Mechanical Data

Project	Value
Working Life	See Product Quality Level Table
Rotating Speed	See Product Quality Level Table
Working Temperature	-30°C~80°C
Operating Humidity	0~85% RH
Contact Material	See Product Quality Level Table
Housing Material	Aluminium Alloy / Engineering plastic
Torque	0.1N.m, +0.03N.m/6rings
Protection Grade	IP51

Product Quality Level Table

Products Level Code	Max Rotating Speed	Working Life	Contact Material
VC	150RPM	10 Million Revs	Precious Metal
VD	250RPM	20 Million Revs	Gold-plated

Lead Wires Color Code

Ring	1	2	3	4	5	6	7	8	9	10	11	12
Color	BLK	RED	YEL	GRN	BLU	WHT	BLK	RED	YEL	GRN	BLU	WHT

(6 wires for 1 group color, from 7-12, repeat the same color as 1...6, indicated with number code pipe)

Options For Custom Slip Ring

Note: Below special demands can be customized. According, the delivery date will be extended 3 to 15 days; also the cost will be increased 30% to 50%. Most of our basic parts are standard and modular, which can save the cost and lead time.

1. Cable exit way and cable length can be customized for both rotor and stator.
2. Because of the structure limitation, length/height/OD can be customized on your request.
3. Support current or signal up to 200 rings.

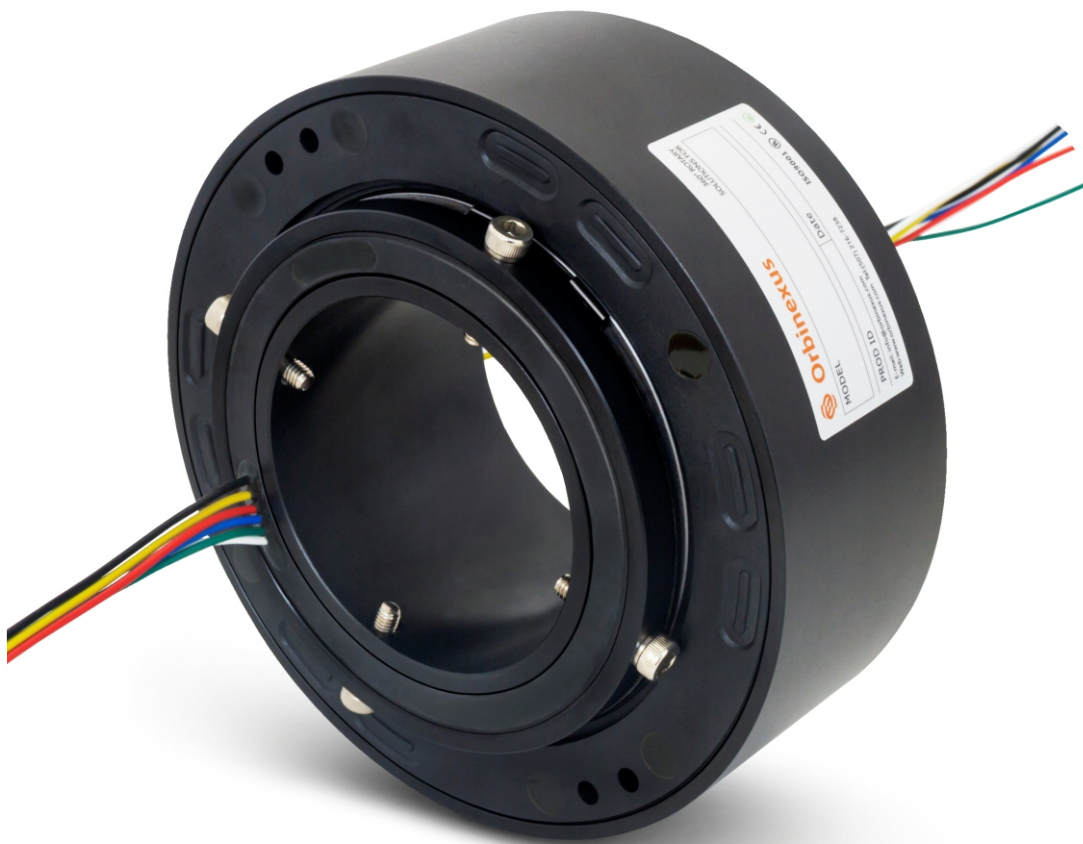
4. Aviation plug, terminal and heat-shrink tube are optional.
5. Hybrid slip ring for Yaskawa/Panasonic/Siemens servo control signal, power line and encoder line.
6. Support mixed high speed data transmission (including Ethernet, USB, RS232, RS485, Profibus, CanBUS, CANOPEN, DeviceNET, CC-LINK, ProfiNET, EtherCAT, etc.)
7. Can combine temperature control signal with thermocouple signal.
8. Special environment can be customized, such as quakeproof, high temperature, etc.
9. Hybrid Pneumatic/hydraulic and electric slip ring can be mixed.
10. High temperature can up to 500 degrees.
11. High pressure can up to 110KV
12. Rotating speed can up to 10000RPM
13. Maximum current can up to 5000 amperes.1Military grade
14. Optional for underwater IP65, Ip68.
15. Optional for stainless steel housing

Technical support: Info@orbinexus.com

BH180298 SERIES

BH180298 series provides a 180mm through-bore for routing of hydraulic or pneumatic lines or hydraulic or pneumatic rotating shaft installation, and a compact 298mm outside diameter, features long life, fiber brush contact technology for ultimate performance in many challenging applications. BH180298 series are standard, off-the-shelf products, Color-coded lead wires are used on both the stator and rotor for simplified electrical connections. It can transmit signal (2A), 10A, multiple 10A current when 360° degree free rotating.

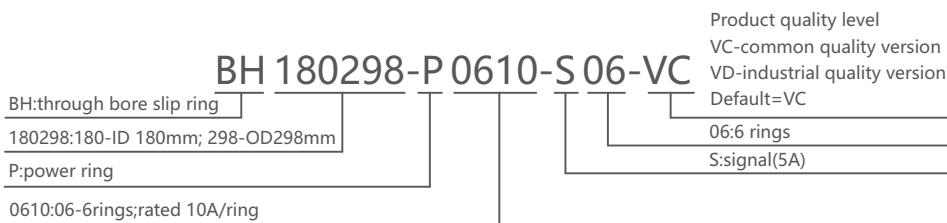
Product images



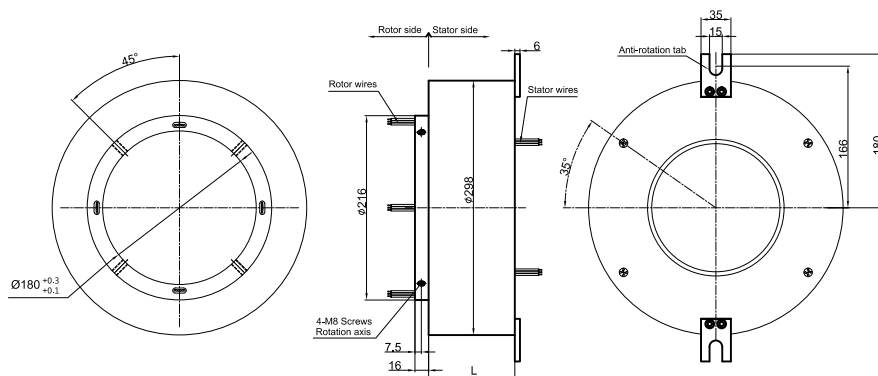
The pictures are for reference only

As the signal pathway increases or the combination of light and electricity results in changes in the appearance and size of the product, the actual product shall prevail.

Part# Explanation



Dimensions



BH180298 Series Parts# List

Part#	10A	Signal or 5A	Length-L (mm)
BH180298-S02	0	2	77
BH180298-P0210	2	0	77
BH180298-S03	0	3	83
BH180298-P0310	3	0	83
BH180298-S06	0	6	101
BH180298-P0210-S04	2	4	101
BH180298-P0410-S02	4	2	101
BH180298-P0610	6	0	101
BH180298-S12	0	12	137
BH180298-P0210-S10	2	10	137
BH180298-P0310-S09	3	9	137
BH180298-P0610-S06	6	6	137
BH180298-P0810-S04	8	4	137
BH180298-P1010-S02	10	2	137
BH180298-P1210	12	0	137
BH180298-S18	0	18	173
BH180298-P0210-S16	2	16	173
BH180298-P0410-S14	4	14	173
BH180298-P0610-S12	6	12	173
BH180298-P0810-S10	8	10	173
BH180298-P1010-S08	10	8	173
BH180298-P1210-S06	12	6	173
BH180298-P1410-S04	14	4	173
BH180298-P1610-S02	16	2	173

BH180298 Series Parts# List

Part#	10A	Signal or 5A	Length-L (mm)
BH180298-S24	0	24	209
BH180298-P0410-S20	4	20	209
BH180298-P0610-S18	6	18	209
BH180298-P1210-S12	12	12	209
BH180298-P1810-S06	18	6	209
BH180298-P2410	24	0	209
BH180298-S30	0	30	245
BH180298-P0610-S24	6	24	245
BH180298-P1210-S18	12	18	245
BH180298-P1810-S12	18	12	245
BH180298-P2410-S06	24	6	245
BH180298-P3010	3	0	245
BH180298-S36	0	36	287
BH180298-P0610-S30	6	30	287
BH180298-P1210-S24	12	24	287
BH180298-P3610	36	0	287
BH180298-S42	0	42	323
BH180298-P0610-S36	6	36	323
BH180298-P1210-S30	12	30	323
BH180298-S48	0	48	359
BH180298-P0610-S42	6	42	359
BH180298-P0910-S39	9	39	359
BH180298-P1210-S36	12	36	359
BH180298-P1810-S30	18	30	359
BH180298-P2410-S24	24	24	359
BH180298-S60	0	60	431
BH180298-P0610-S54	6	54	431
BH180298-P0910-S51	9	51	431
BH180298-P1210-S48	12	48	431
BH180298-S72	0	72	509
BH180298-P0610-S66	6	66	509
BH180298-P1210-S60	12	60	509
BH180298-P2410-S48	24	48	509
BH180298-P3610-S36	36	36	509
BH180298-S84	0	84	581
BH180298-P1210-S72	12	72	581
BH180298-P2410-S60	24	60	581
BH180298-P3610-S48	36	48	581
BH180298-S96	0	96	653
BH180298-P1210-S84	12	84	653
BH180298-P2410-S72	24	72	653
BH180298-P3610-S60	36	60	653
BH180298-P4210-S54	42	54	653
BH180298-S108	0	108	731
BH180298-P1210-S96	12	96	731
BH180298-P2410-S84	24	84	731
BH180298-P3610-S72	36	72	731
BH180298-P4810-S60	48	60	731

Note: N channels 10A rings parallel can be used as 1 channel N*10A current. For example: 2 rings 10A parallel could be used as 1 wires 20A, 10A,5A (signal) can combine freely in any way.It can be customized based on standard slip ring,please contact customer service for more detmails.

Electrical parameters

Project	Power	Siana
Rated Voltage	0~690VAC/VDC	0~440VAC/VDC
Insulation Resistance	≥1000MΩ/1000VDC	≥1000MΩ/500VDC
Lead Wires	AWG16#Teflon	AWG22#Teflon
Lead Length	Standard 300mm(adjustable)	
Insulation Strength	1000VAC@50Hz, 60s	
Electrical Noise	<0.01Ω	

Mechanical Data

Project	Value
Working Life	See Product Quality Level Table
Rotating Speed	See Product Quality Level Table
Working Temperature	-30°C~80°C
Operating Humidity	0~85% RH
Contact Material	See Product Quality Level Table
Housing Material	Aluminium Alloy / Engineering plastic
Torque	0.1N.m, +0.03N.m/6rings
Protection Grade	IP51

Product Quality Level Table

Products Level Code	Max Rotating Speed	Working Life	Contact Material
VC	150RPM	10 Million Revs	Precious Metal
VD	250RPM	20 Million Revs	Gold-plated

Lead Wires Color Code

Ring	1	2	3	4	5	6	7	8	9	10	11	12
Color	BLK	RED	YEL	GRN	BLU	WHT	BLK	RED	YEL	GRN	BLU	WHT

(6 wires for 1 group color, from 7-12, repeat the same color as 1...6, indicated with number code pipe)

Options For Custom Slip Ring

Note: Below special demands can be customized. According, the delivery date will be extended 3 to 15 days; also the cost will be increased 30% to 50%. Most of our basic parts are standard and modular, which can save the cost and lead time.

1. Cable exit way and cable length can be customized for both rotor and stator.
2. Because of the structure limitation, length/height/OD can be customized on your request.
3. Support current or signal up to 200 rings.

4. Aviation plug, terminal and heat-shrink tube are optional.
 5. Hybrid slip ring for Yaskawa/Panasonic/Siemens servo control signal, power line and encoder line.
 6. Support mixed high speed data transmission (including Ethernet, USB, RS232, RS485, Profibus, CanBUS, CANOPEN, DeviceNET, CC-LINK, ProfiNET, EtherCAT, etc.)
 7. Can combine temperature control signal with thermocouple signal.
 8. Special environment can be customized, such as quakeproof, high temperature, etc.
 9. Hybrid Pneumatic/hydraulic and electric slip ring can be mixed.
 10. High temperature can up to 500 degrees.
 11. High pressure can up to 110KV
 12. Rotating speed can up to 10000RPM
 13. Maximum current can up to 5000 amperes.1Military grade
 14. Optional for underwater IP65, Ip68.
 15. Optional for stainless steel housing
- Technical support: Info@orbinexus.com

BH200345 SERIES

BH200345 series provides a 200mm through-bore for routing of hydraulic or pneumatic lines or hydraulic or pneumatic rotating shaft installation, and a compact 345mm outside diameter, features long life, fiber brush contact technology for ultimate performance in many challenging applications. BH200345 series are standard, off-the-shelf products, Color-coded lead wires are used on both the stator and rotor for simplified electrical connections. It can transmit signal (2A), 10A, multiple 10A current when 360° degree free rotating.

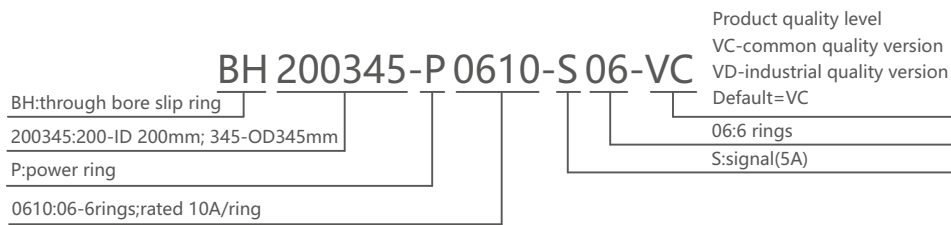
Product images



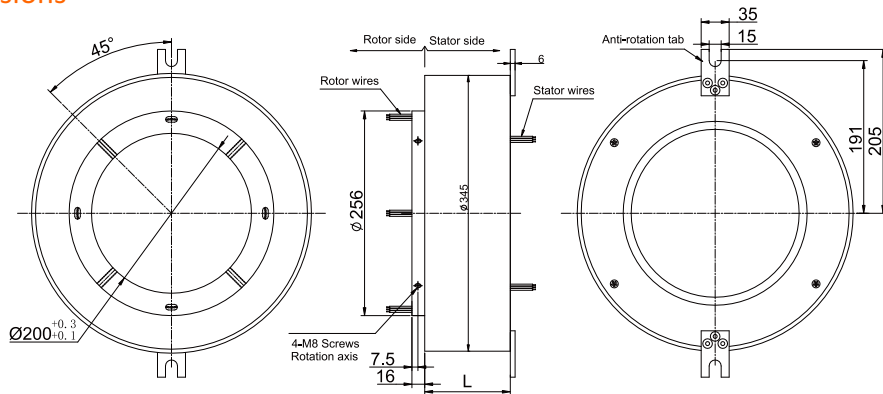
The pictures are for reference only

As the signal pathway increases or the combination of light and electricity results in changes in the appearance and size of the product, the actual product shall prevail.

Part# Explanation



Dimensions



BH200345 Series Parts# List

Part#	10A	Signal or 5A	Length-L (mm)
BH200345-S02	0	2	83
BH200345-P0210	2	0	83
BH200345-S03	0	3	89
BH200345-P0310	3	0	89
BH200345-S06	0	6	107
BH200345-P0210-S04	2	4	107
BH200345-P0410-S02	4	2	107
BH200345-P0610	6	0	107
BH200345-S12	0	12	143
BH200345-P0210-S10	2	10	143
BH200345-P0310-S09	3	9	143
BH200345-P0610-S06	6	6	143
BH200345-P0810-S04	8	4	143
BH200345-P1010-S02	10	2	143
BH200345-P1210	12	0	143
BH200345-S18	0	18	179
BH200345-P0210-S16	2	16	179
BH200345-P0410-S14	4	14	179
BH200345-P0610-S12	6	12	179
BH200345-P0810-S10	8	10	179
BH200345-P1010-S08	10	8	179
BH200345-P1210-S06	12	6	179
BH200345-P1410-S04	14	4	179
BH200345-P1610-S02	16	2	179

BH200345 Series Parts# List

Part#	10A	Signal or 5A	Length-L (mm)
BH200345-S24	0	24	215
BH200345-P0410-S20	4	20	215
BH200345-P0610-S18	6	18	215
BH200345-P1210-S12	12	12	215
BH200345-P1810-S06	18	6	215
BH200345-P2410	24	0	215
BH200345-S30	0	30	251
BH200345-P0610-S24	6	24	251
BH200345-P1210-S18	12	18	251
BH200345-P1810-S12	18	12	251
BH200345-P2410-S06	24	6	251
BH200345-P3010	30	0	251
BH200345-S36	0	36	293
BH200345-P0610-S30	6	30	293
BH200345-P1210-S24	12	24	293
BH200345-P3610	36	0	293
BH200345-S42	0	42	329
BH200345-P0610-S36	6	36	329
BH200345-P1210-S30	12	30	329
BH200345-S48	0	48	365
BH200345-P0610-S42	6	42	365
BH200345-P0910-S39	9	39	365
BH200345-P1210-S36	12	36	365
BH200345-P1810-S30	18	30	365
BH200345-P2410-S24	24	24	365
BH200345-S60	0	60	437
BH200345-P0610-S54	6	54	437
BH200345-P0910-S51	9	51	437
BH200345-P1210-S48	12	48	437
BH200345-S72	0	72	515
BH200345-P0610-S66	6	66	515
BH200345-P1210-S60	12	60	515
BH200345-P2410-S48	24	48	515
BH200345-P3610-S36	36	36	515
BH200345-S84	0	84	587
BH200345-P1210-S72	12	72	587
BH200345-P2410-S60	24	60	587
BH200345-P3610-S48	36	48	587
BH200345-S96	0	96	659
BH200345-P1210-S84	12	84	659
BH200345-P2410-S72	24	72	659
BH200345-P3610-S60	36	60	659
BH200345-P4210-S54	42	54	659
BH200345-S108	0	108	737
BH200345-P1210-S96	12	96	737
BH200345-P2410-S84	24	84	737
BH200345-P3610-S72	36	72	737
BH200345-P4810-S60	48	60	737

Note: N channels 10A rings parallel can be used as 1 channel N*10A current. For example: 2 rings 10A parallel could be used as 1 wires 20A. 10A,5A (signal) can combine freely in any way.It can be customized based on standard slip ring,please contact customer service for more detmails.

Electrical parameters

Project	Power	Siana
Rated Voltage	0~690VAC/VDC	0~440VAC/VDC
Insulation Resistance	≥1000MΩ/1000VDC	≥1000MΩ/500VDC
Lead Wires	AWG16#Teflon	AWG22#Teflon
Lead Length	Standard 300mm(adjustable)	
Insulation Strength	1000VAC@50Hz, 60s	
Electrical Noise	<0.01Ω	

Mechanical Data

Project	Value
Working Life	See Product Quality Level Table
Rotating Speed	See Product Quality Level Table
Working Temperature	-30°C~80°C
Operating Humidity	0~85% RH
Contact Material	See Product Quality Level Table
Housing Material	Aluminium Alloy / Engineering plastic
Torque	0.1N.m, +0.03N.m/6rings
Protection Grade	IP51

Product Quality Level Table

Products Level Code	Max Rotating Speed	Working Life	Contact Material
VC	150RPM	10 Million Revs	Precious Metal
VD	250RPM	20 Million Revs	Gold-plated

Lead Wires Color Code

Ring	1	2	3	4	5	6	7	8	9	10	11	12
Color	BLK	RED	YEL	GRN	BLU	WHT	BLK	RED	YEL	GRN	BLU	WHT

(6 wires for 1 group color, from 7-12, repeat the same color as 1..6, indicated with number code pipe)

Options For Custom Slip Ring

Note: Below special demands can be customized. According, the delivery date will be extended 3 to 15 days; also the cost will be increased 30% to 50%. Most of our basic parts are standard and modular, which can save the cost and lead time.

1. Cable exit way and cable length can be customized for both rotor and stator.
2. Because of the structure limitation, length/height/OD can be customized on your request.
3. Support current or signal up to 200 rings.

4. Aviation plug, terminal and heat-shrink tube are optional.
5. Hybrid slip ring for Yaskawa/Panasonic/Siemens servo control signal, power line and encoder line.
6. Support mixed high speed data transmission (including Ethernet, USB, RS232, RS485, Profibus, CanBUS, CANOPEN, DeviceNET, CC-LINK, ProfiNET, EtherCAT, etc.)
7. Can combine temperature control signal with thermocouple signal.
8. Special environment can be customized, such as quakeproof, high temperature, etc.
9. Hybrid Pneumatic/hydraulic and electric slip ring can be mixed.
10. High temperature can up to 500 degrees.
11. High pressure can up to 110KV
12. Rotating speed can up to 10000RPM
13. Maximum current can up to 5000 amperes.1Military grade
14. Optional for underwater IP65, Ip68.
15. Optional for stainless steel housing

Technical support: Info@orbinexus.com

BH210345 SERIES

BH210345 series provides a 210mm through-bore for routing of hydraulic or pneumatic lines or hydraulic or pneumatic rotating shaft installation, and a compact 345mm outside diameter, features long life, fiber brush contact technology for ultimate performance in many challenging applications. BH210345 series are standard, off-the-shelf products, Color-coded lead wires are used on both the stator and rotor for simplified electrical connections. It can transmit signal (2A), 10A, multiple 10A current when 360° degree free rotating.

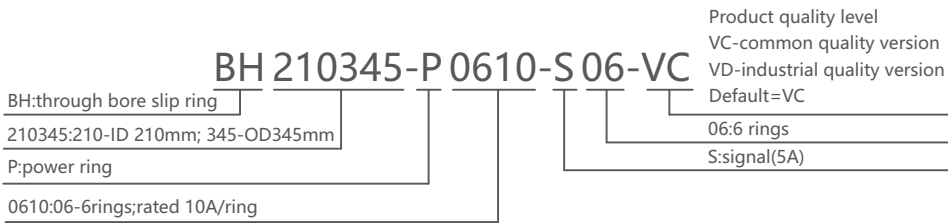
Product images



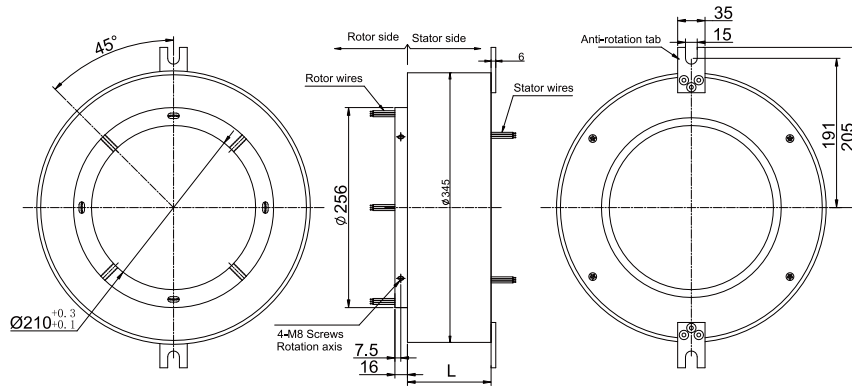
The pictures are for reference only

As the signal pathway increases or the combination of light and electricity results in changes in the appearance and size of the product, the actual product shall prevail.

Part# Explanation



Dimensions



BH210345 Series Parts# List

Part#	10A	Signal or 5A	Length-L (mm)
BH210345-S02	0	2	83
BH210345-P0210	2	0	83
BH210345-S03	0	3	89
BH210345-P0310	3	0	89
BH210345-S06	0	6	107
BH210345-P0210-S04	2	4	107
BH210345-P0410-S02	4	2	107
BH210345-P0610	6	0	107
BH210345-S12	0	12	143
BH210345-P0210-S10	2	10	143
BH210345-P0310-S09	3	9	143
BH210345-P0610-S06	6	6	143
BH210345-P0810-S04	8	4	143
BH210345-P1010-S02	10	2	143
BH210345-P1210	12	0	143
BH210345-S18	0	18	179
BH210345-P0210-S16	2	16	179
BH210345-P0410-S14	4	14	179
BH210345-P0610-S12	6	12	179
BH210345-P0810-S10	8	10	179
BH210345-P1010-S08	10	8	179
BH210345-P1210-S06	12	6	179
BH210345-P1410-S04	14	4	179
BH210345-P1610-S02	16	2	179

BH210345 Series Parts# List

Part#	10A	Signal or 5A	Length-L (mm)
BH210345-S24	0	24	215
BH210345-P0410-S20	4	20	215
BH210345-P0610-S18	6	18	215
BH210345-P1210-S12	12	12	215
BH210345-P1810-S06	18	6	215
BH210345-P2410	24	0	215
BH210345-S30	0	30	251
BH210345-P0610-S24	6	24	251
BH210345-P1210-S18	12	18	251
BH210345-P1810-S12	18	12	251
BH210345-P2410-S06	24	6	251
BH210345-P3010	30	0	251
BH210345-S36	0	36	293
BH210345-P0610-S30	6	30	293
BH210345-P1210-S24	12	24	293
BH210345-P3610	36	0	293
BH210345-S42	0	42	329
BH210345-P0610-S36	6	36	329
BH210345-P1210-S30	12	30	329
BH210345-S48	0	48	365
BH210345-P0610-S42	6	42	365
BH210345-P0910-S39	9	39	365
BH210345-P1210-S36	12	36	365
BH210345-P1810-S30	18	30	365
BH210345-P2410-S24	24	24	365
BH210345-S60	0	60	437
BH210345-P0610-S54	6	54	437
BH210345-P0910-S51	9	51	437
BH210345-P1210-S48	12	48	437
BH210345-S72	0	72	515
BH210345-P0610-S66	6	66	515
BH210345-P1210-S60	12	60	515
BH210345-P2410-S48	24	48	515
BH210345-P3610-S36	36	36	515
BH210345-S84	0	84	587
BH210345-P1210-S72	12	72	587
BH210345-P2410-S60	24	60	587
BH210345-P3610-S48	36	48	587
BH210345-S96	0	96	659
BH210345-P1210-S84	12	84	659
BH210345-P2410-S72	24	72	659
BH210345-P3610-S60	36	60	659
BH210345-P4210-S54	42	54	659
BH210345-S108	0	108	737
BH210345-P1210-S96	12	96	737
BH210345-P2410-S84	24	84	737
BH210345-P3610-S72	36	72	737
BH210345-P4810-S60	48	60	737

Note: N channels 10A rings parallel can be used as 1 channel N*10A current. For example: 2 rings 10A parallel could be used as 1 wires 20A. 10A,5A (signal) can combine freely in any way.It can be customized based on standard slip ring,please contact customer service for more detmails.

Electrical parameters

Project	Power	Siana
Rated Voltage	0~690VAC/VDC	0~440VAC/VDC
Insulation Resistance	≥1000MΩ/1000VDC	≥1000MΩ/500VDC
Lead Wires	AWG16#Teflon	AWG22#Teflon
Lead Length	Standard 300mm(adjustable)	
Insulation Strength	1000VAC@50Hz, 60s	
Electrical Noise	<0.01Ω	

Mechanical Data

Project	Value
Working Life	See Product Quality Level Table
Rotating Speed	See Product Quality Level Table
Working Temperature	-30°C~80°C
Operating Humidity	0~85% RH
Contact Material	See Product Quality Level Table
Housing Material	Aluminium Alloy / Engineering plastic
Torque	0.1N.m, ±0.03N.m/6rings
Protection Grade	IP51

Product Quality Level Table

Products Level Code	Max Rotating Speed	Working Life	Contact Material
VC	150RPM	10 Million Revs	Precious Metal
VD	250RPM	20 Million Revs	Gold-plated

Lead Wires Color Code

Ring	1	2	3	4	5	6	7	8	9	10	11	12
Color	BLK	RED	YEL	GRN	BLU	WHT	BLK	RED	YEL	GRN	BLU	WHT

(6 wires for 1 group color, from 7-12, repeat the same color as 1...6, indicated with number code pipe)

Options For Custom Slip Ring

Note: Below special demands can be customized. According, the delivery date will be extended 3 to 15 days; also the cost will be increased 30% to 50%. Most of our basic parts are standard and modular, which can save the cost and lead time.

1. Cable exit way and cable length can be customized for both rotor and stator.
2. Because of the structure limitation, length/height/OD can be customized on your request.
3. Support current or signal up to 200 rings.

4. Aviation plug, terminal and heat-shrink tube are optional.
5. Hybrid slip ring for Yaskawa/Panasonic/Siemens servo control signal, power line and encoder line.
6. Support mixed high speed data transmission (including Ethernet, USB, RS232, RS485, Profibus, CanBUS, CANOPEN, DeviceNET, CC-LINK, ProfiNET, EtherCAT, etc.)
7. Can combine temperature control signal with thermocouple signal.
8. Special environment can be customized, such as quakeproof, high temperature, etc.
9. Hybrid Pneumatic/hydraulic and electric slip ring can be mixed.
10. High temperature can up to 500 degrees.
11. High pressure can up to 110KV
12. Rotating speed can up to 10000RPM
13. Maximum current can up to 5000 amperes. 1Military grade
14. Optional for underwater IP65, Ip68.
15. Optional for stainless steel housing

Technical support: Info@orbinexus.com

BH250398 SERIES

BH250398 series provides a 250mm through-bore for routing of hydraulic or pneumatic lines or hydraulic or pneumatic rotating shaft installation, and a compact 398mm outside diameter, features long life, fiber brush contact technology for ultimate performance in many challenging applications. BH250398 series are standard, off-the-shelf products, Color-coded lead wires are used on both the stator and rotor for simplified electrical connections. It can transmit signal (2A), 10A, multiple 10A current when 360° degree free rotating.

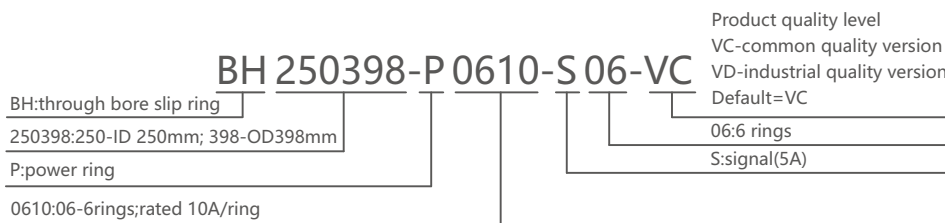
Product images



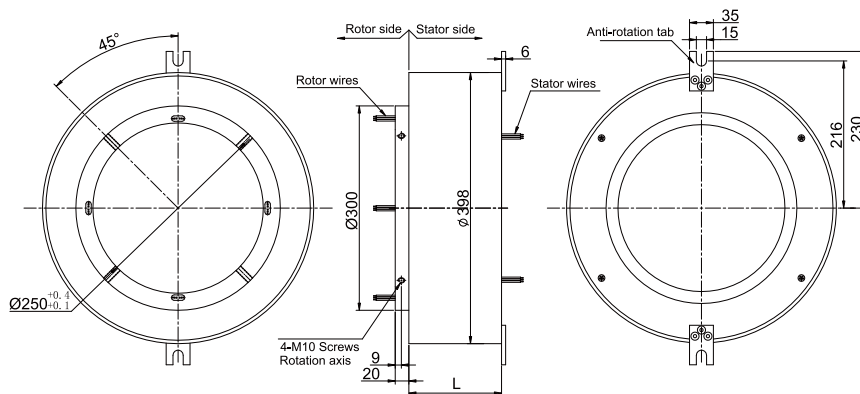
The pictures are for reference only

As the signal pathway increases or the combination of light and electricity results in changes in the appearance and size of the product, the actual product shall prevail.

Part# Explanation



Dimensions



BH250398 Series Parts# List

Part#	10A	Signal or 5A	Length-L (mm)
BH250398-S02	0	2	104
BH250398-P0210	2	0	104
BH250398-S03	0	3	112
BH250398-P0310	3	0	112
BH250398-S06	0	6	136
BH250398-P0210-S04	2	4	136
BH250398-P0410-S02	4	2	136
BH250398-P0610	6	0	136
BH250398-S12	0	12	184
BH250398-P0210-S10	2	10	184
BH250398-P0310-S09	3	9	184
BH250398-P0610-S06	6	6	184
BH250398-P0810-S04	8	4	184
BH250398-P1010-S02	10	2	184
BH250398-P1210	12	0	184
BH250398-S18	0	18	232
BH250398-P0210-S16	2	16	232
BH250398-P0410-S14	4	14	232
BH250398-P0610-S12	6	12	232
BH250398-P0810-S10	8	10	232
BH250398-P1010-S08	10	8	232
BH250398-P1210-S06	12	6	232
BH250398-P1410-S04	14	4	232
BH250398-P1610-S02	16	2	232

BH250398 Series Parts# List

Part#	10A	Signal or 5A	Length-L (mm)
BH250398-S24	0	24	280
BH250398-P0410-S20	4	20	280
BH250398-P0610-S18	6	18	280
BH250398-P1210-S12	12	12	280
BH250398-P1810-S06	18	6	280
BH250398-P2410	24	0	280
BH250398-S30	0	30	328
BH250398-P0610-S24	6	24	328
BH250398-P1210-S18	12	18	328
BH250398-P1810-S12	18	12	328
BH250398-P2410-S06	24	6	328
BH250398-P3010	30	0	328
BH250398-S36	0	36	382
BH250398-P0610-S30	6	30	382
BH250398-P1210-S24	12	24	382
BH250398-P3610	36	0	382
BH250398-S42	0	42	430
BH250398-P0610-S36	6	36	430
BH250398-P1210-S30	12	30	430
BH250398-S48	0	48	478
BH250398-P0610-S42	6	42	478
BH250398-P0910-S39	9	39	478
BH250398-P1210-S36	12	36	478
BH250398-P1810-S30	18	30	478
BH250398-P2410-S24	24	24	478
BH250398-S60	0	60	577
BH250398-P0610-S54	6	54	577
BH250398-P0910-S51	9	51	577
BH250398-P1210-S48	12	48	577
BH250398-S72	0	72	676
BH250398-P0610-S66	6	66	676
BH250398-P1210-S60	12	60	676
BH250398-P2410-S48	24	48	676
BH250398-P3610-S36	36	36	676
BH250398-S84	0	84	772
BH250398-P1210-S72	12	72	772
BH250398-P2410-S60	24	60	772
BH250398-P3610-S48	36	48	772
BH250398-S96	0	96	868
BH250398-P1210-S84	12	84	868
BH250398-P2410-S72	24	72	868
BH250398-P3610-S60	36	60	868
BH250398-P4210-S54	42	54	868
BH250398-S108	0	108	970
BH250398-P1210-S96	12	96	970
BH250398-P2410-S84	24	84	970
BH250398-P3610-S72	36	72	970
BH250398-P4810-S60	48	60	970

Note: N channels 10A rings parallel can be used as 1 channel N*10A current. For example: 2 rings 10A parallel could be used as 1 wires 20A. 10A,5A (signal) can combine freely in any way.It can be customized based on standard slip ring,please contact customer service for more detmails.

Electrical parameters

Project	Power	Siana
Rated Voltage	0~690VAC/VDC	0~440VAC/VDC
Insulation Resistance	≥1000MΩ/1000VDC	≥1000MΩ/500VDC
Lead Wires	AWG16#Teflon	AWG22#Teflon
Lead Length	Standard 300mm(adjustable)	
Insulation Strength	1000VAC@50Hz, 60s	
Electrical Noise	<0.01Ω	

Mechanical Data

Project	Value
Working Life	See Product Quality Level Table
Rotating Speed	See Product Quality Level Table
Working Temperature	-30°C~80°C
Operating Humidity	0~85% RH
Contact Material	See Product Quality Level Table
Housing Material	Aluminium Alloy / Engineering plastic
Torque	0.1N.m, +0.03N.m/6rings
Protection Grade	IP51

Product Quality Level Table

Products Level Code	Max Rotating Speed	Working Life	Contact Material
VC	150RPM	10 Million Revs	Precious Metal
VD	250RPM	20 Million Revs	Gold-plated

Lead Wires Color Code

Ring	1	2	3	4	5	6	7	8	9	10	11	12
Color	BLK	RED	YEL	GRN	BLU	WHT	BLK	RED	YEL	GRN	BLU	WHT

(6 wires for 1 group color, from 7-12, repeat the same color as 1...6, indicated with number code pipe)

Options For Custom Slip Ring

Note: Below special demands can be customized. According, the delivery date will be extended 3 to 15 days; also the cost will be increased 30% to 50%. Most of our basic parts are standard and modular, which can save the cost and lead time.

1. Cable exit way and cable length can be customized for both rotor and stator.
2. Because of the structure limitation, length/height/OD can be customized on your request.
3. Support current or signal up to 200 rings.

4. Aviation plug, terminal and heat-shrink tube are optional.
 5. Hybrid slip ring for Yaskawa/Panasonic/Siemens servo control signal, power line and encoder line.
 6. Support mixed high speed data transmission (including Ethernet, USB, RS232, RS485, Profibus, CanBUS, CANOPEN, DeviceNET, CC-LINK, ProfiNET, EtherCAT, etc.)
 7. Can combine temperature control signal with thermocouple signal.
 8. Special environment can be customized, such as quakeproof, high temperature, etc.
 9. Hybrid Pneumatic/hydraulic and electric slip ring can be mixed.
 10. High temperature can up to 500 degrees.
 11. High pressure can up to 110KV
 12. Rotating speed can up to 10000RPM
 13. Maximum current can up to 5000 amperes. 1Military grade
 14. Optional for underwater IP65, Ip68.
 15. Optional for stainless steel housing
- Technical support: Info@orbinexus.com

BH300476 SERIES

BH300476 series provides a 300mm through-bore for routing of hydraulic or pneumatic lines or hydraulic or pneumatic rotating shaft installation, and a compact 476mm outside diameter, features long life, fiber brush contact technology for ultimate performance in many challenging applications. BH300476 series are standard, off-the-shelf products, Color-coded lead wires are used on both the stator and rotor for simplified electrical connections. It can transmit signal (2A), 10A, multiple 10A current when 360° degree free rotating.

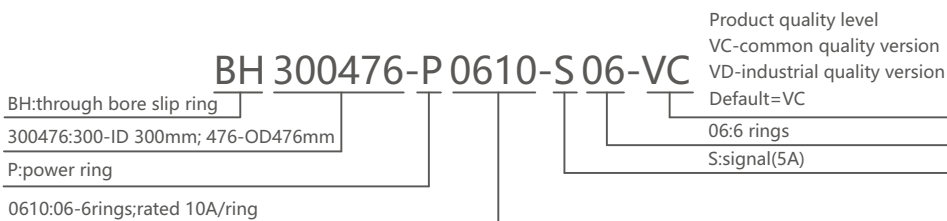
Product images



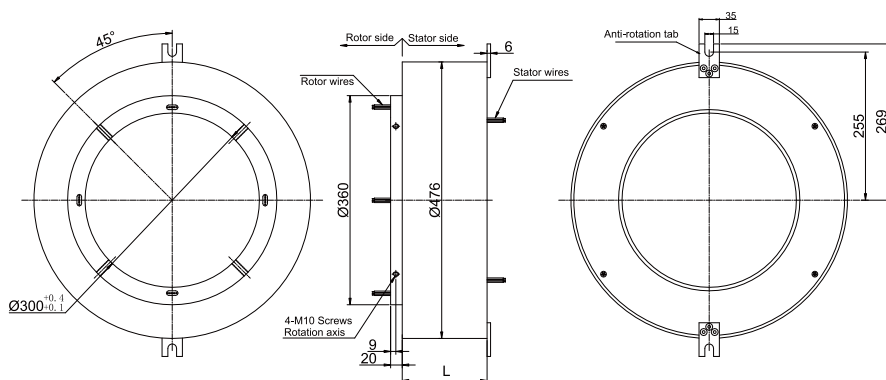
The pictures are for reference only

As the signal pathway increases or the combination of light and electricity results in changes in the appearance and size of the product, the actual product shall prevail.

Part# Explanation



Dimensions



BH300476 Series Parts# List

Part#	10A	Signal or 5A	Length-L (mm)
BH300476-S02	0	2	114
BH300476-P0210	2	0	114
BH300476-S03	0	3	122
BH300476-P0310	3	0	122
BH300476-S06	0	6	146
BH300476-P0210-S04	2	4	146
BH300476-P0410-S02	4	2	146
BH300476-P0610	6	0	146
BH300476-S12	0	12	194
BH300476-P0210-S10	2	10	194
BH300476-P0310-S09	3	9	194
BH300476-P0610-S06	6	6	194
BH300476-P0810-S04	8	4	194
BH300476-P1010-S02	10	2	194
BH300476-P1210	12	0	194
BH300476-S18	0	18	242
BH300476-P0210-S16	2	16	242
BH300476-P0410-S14	4	14	242
BH300476-P0610-S12	6	12	242
BH300476-P0810-S10	8	10	242
BH300476-P1010-S08	10	8	242
BH300476-P1210-S06	12	6	242
BH300476-P1410-S04	14	4	242
BH300476-P1610-S02	16	2	242

BH300476 Series Parts# List

Part#	10A	Signal or 5A	Length-L (mm)
BH300476-S24	0	24	290
BH300476-P0410-S20	4	20	290
BH300476-P0610-S18	6	18	290
BH300476-P1210-S12	12	12	290
BH300476-P1810-S06	18	6	290
BH300476-P2410	24	0	290
BH300476-S30	0	30	338
BH300476-P0610-S24	6	24	338
BH300476-P1210-S18	12	18	338
BH300476-P1810-S12	18	12	338
BH300476-P2410-S06	24	6	338
BH300476-P3010	30	0	338
BH300476-S36	0	36	392
BH300476-P0610-S30	6	30	392
BH300476-P1210-S24	12	24	392
BH300476-P3610	36	0	392
BH300476-S42	0	42	440
BH300476-P0610-S36	6	36	440
BH300476-P1210-S30	12	30	440
BH300476-S48	0	48	488
BH300476-P0610-S42	6	42	488
BH300476-P0910-S39	9	39	488
BH300476-P1210-S36	12	36	488
BH300476-P1810-S30	18	30	488
BH300476-P2410-S24	24	24	488
BH300476-S60	0	60	584
BH300476-P0610-S54	6	54	584
BH300476-P0910-S51	9	51	584
BH300476-P1210-S48	12	48	584
BH300476-S72	0	72	686
BH300476-P0610-S66	6	66	686
BH300476-P1210-S60	12	60	686
BH300476-P2410-S48	24	48	686
BH300476-P3610-S36	36	36	686
BH300476-S84	0	84	782
BH300476-P1210-S72	12	72	782
BH300476-P2410-S60	24	60	782
BH300476-P3610-S48	36	48	782
BH300476-S96	0	96	878
BH300476-P1210-S84	12	84	878
BH300476-P2410-S72	24	72	878
BH300476-P3610-S60	36	60	878
BH300476-P4210-S54	42	54	878
BH300476-S108	0	108	980
BH300476-P1210-S96	12	96	980
BH300476-P2410-S84	24	84	980
BH300476-P3610-S72	36	72	980
BH300476-P4810-S60	48	60	980

Note: N channels 10A rings parallel can be used as 1 channel N*10A current. For example: 2 rings 10A parallel could be used as 1 wires 20A. 10A,5A (signal) can combine freely in any way.It can be customized based on standard slip ring,please contact customer service for more detmails.

Electrical parameters

Project	Power	Siana
Rated Voltage	0~690VAC/VDC	0~440VAC/VDC
Insulation Resistance	≥1000MΩ/1000VDC	≥1000MΩ/500VDC
Lead Wires	AWG16#Teflon	AWG22#Teflon
Lead Length	Standard 300mm(adjustable)	
Insulation Strength	1000VAC@50Hz, 60s	
Electrical Noise	<0.01Ω	

Mechanical Data

Project	Value
Working Life	See Product Quality Level Table
Rotating Speed	See Product Quality Level Table
Working Temperature	-30°C~80°C
Operating Humidity	0~85% RH
Contact Material	See Product Quality Level Table
Housing Material	Aluminium Alloy / Engineering plastic
Torque	0.1N.m, +0.03N.m/6rings
Protection Grade	IP51

Product Quality Level Table

Products Level Code	Max Rotating Speed	Working Life	Contact Material
VC	150RPM	10 Million Revs	Precious Metal
VD	250RPM	20 Million Revs	Gold-plated

Lead Wires Color Code

Ring	1	2	3	4	5	6	7	8	9	10	11	12
Color	BLK	RED	YEL	GRN	BLU	WHT	BLK	RED	YEL	GRN	BLU	WHT

(6 wires for 1 group color, from 7-12, repeat the same color as 1...6, indicated with number code pipe)

Options For Custom Slip Ring

Note: Below special demands can be customized. According, the delivery date will be extended 3 to 15 days; also the cost will be increased 30% to 50%. Most of our basic parts are standard and modular, which can save the cost and lead time.

1. Cable exit way and cable length can be customized for both rotor and stator.
2. Because of the structure limitation, length/height/OD can be customized on your request.
3. Support current or signal up to 200 rings.

4. Aviation plug, terminal and heat-shrink tube are optional.
5. Hybrid slip ring for Yaskawa/Panasonic/Siemens servo control signal, power line and encoder line.
6. Support mixed high speed data transmission (including Ethernet, USB, RS232, RS485, Profibus, CanBUS, CANOPEN, DeviceNET, CC-LINK, ProfiNET, EtherCAT, etc.)
7. Can combine temperature control signal with thermocouple signal.
8. Special environment can be customized, such as quakeproof, high temperature, etc.
9. Hybrid Pneumatic/hydraulic and electric slip ring can be mixed.
10. High temperature can up to 500 degrees.
11. High pressure can up to 110KV
12. Rotating speed can up to 10000RPM
13. Maximum current can up to 5000 amperes.1Military grade
14. Optional for underwater IP65, Ip68.
15. Optional for stainless steel housing

Technical support: Info@orbinexus.com