

BBS SERIES

Stator Flange Slip Rings

Micro slip ring is a general designation of a series of slip rings with very small overall outer diameter (5.9mm ~ 15.5mm).The product adopts American military surface treatment process, super hard gold coating treatment, ensuring extremely low resistance waveDynamic and ultra long working life.It is mainly used to transmit weak control signals and weak current in small and medium-sized systems. Such as video, control,Sensor, power supply, EthernetLow torque, low loss, maintenance free; low electrical noiseTypical applications: UAV, camera stabilizer, smart home, security monitoring, camera, robot,Test instruments, turntables and automation equipment.

BBS Series Models

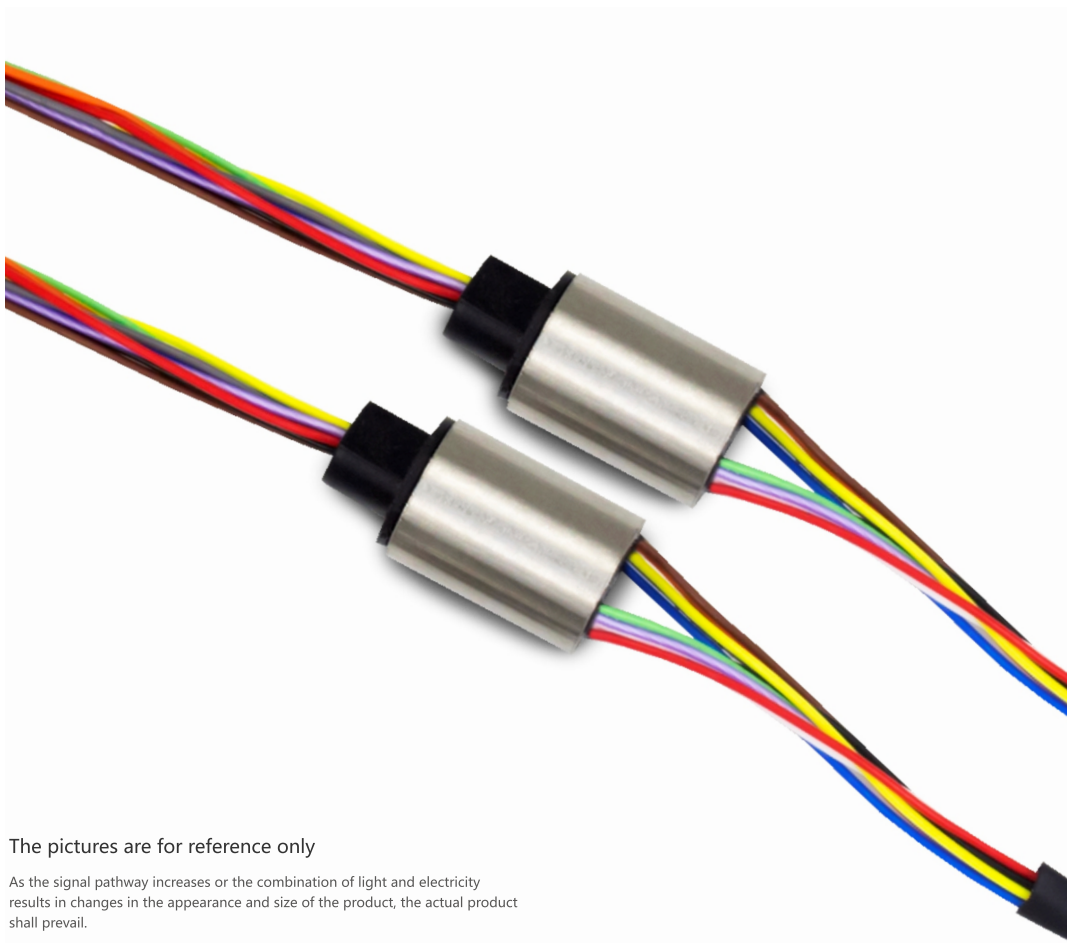
Model#	Bore(mm)	OD(mm)	Circuit (Ring)	Current/ring (A)	Max voltage(VDC/VAC)
BBS088	8.8	5.9	1~4	Signal (1A)	120
BBS118	11.9	5.9	1~8	Signal (1A)	120
BBS119	11.9	6.5	1~8	Signal (1A)	120
BBS172	17.2	6.5	1~12	Signal (2A)	120
BBS146	14.6	10	1~10	Signal(2A)	120
BBS181	18.2	11.6	1~6	Signal(2A)	240
BBS182	18.2	12.5	1~6	Signal(2A)	240
BBS195	19.5	12.5	1~12	Signal(2A)	240
BBS235	23.5	12.5	1~18	Signal (2A)	240
BBS397	34.1	15.5	1~24	Signal (2A)	240

BBS088 MINIATURE CAPSULE SLIP RINGS

OD 6mm 4 Circuits, 1A Each circuit

BBS088 slip rings are small and compact with OD 6mm * L 8.8mm, standard, off-the-shelf. Color-coded lead wires are used on both the stator and rotor for simplified electrical connections. Using a 90° V-groove ring design for each ring. BBS0889 is the high-end version corresponding to BBS088, It has higher performance and longer working life, higher speed rotating speed, low noise.

Product images



The pictures are for reference only

As the signal pathway increases or the combination of light and electricity results in changes in the appearance and size of the product, the actual product shall prevail.

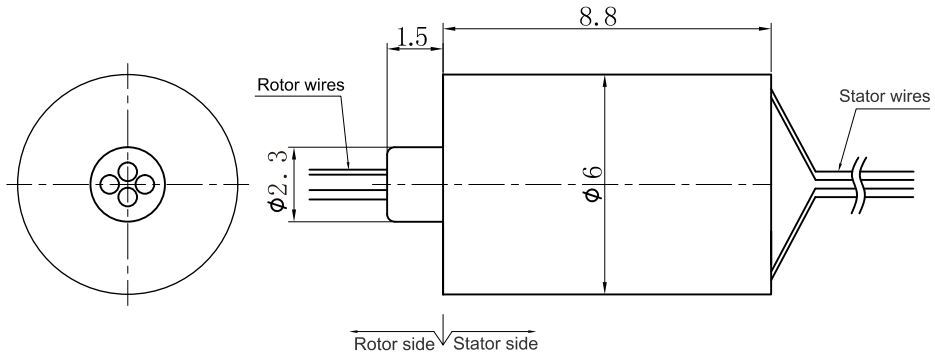
Part# Explanation

BBS 088(9)

BBS:miniature capsule slip ring

088:common quality version
0889:high-end quality version

Dimensions



Electrical Data

Parameter	Power Value	Signal Value
Rated Voltage	0~120VAC/VDC	0~120VAC/VDC
Insulation Resistance	$\geq 100M\Omega/150VDC$	$\geq 100M\Omega/150VDC$
Lead Wires	AWG#32 teflon	AWG#32 teflon
Lead Length	Standard 300mm(adjustable)	
Electrical Noise	$< 0.01\Omega$	

Mechanical Data

Parameter	Value
Working Life	See Product Quality Level Table
Rotating Speed	See Product Quality Level Table
Working Temperature	-30°C~80°C
Operating Humidity	0~85% RH
Contact Material	See Product Quality Level Table
Housing Material	See Product Quality Level Table
Torque	0.005N.m; +0.02N.m/6rings
Protection Grade	IP51

BBS088 Series Parts# List

Part#	Signal/1A	Total Wires
BBS088-S02	2	2
BBS088-S04	4	4

Note:N channels 1A rings parallel can be used as 1 channel $N \times 1A$ current. For example: 2 rings 1A parallel could be used as 1 wires 2A ,please contact sales for special requirements

Product Quality Level Table

Part#	Max Speed	Working Life	Housing Material	Electrical Noise ^① @10RPM
BBS088	250RPM	>10 million	Plastics	10m Ω
BBS0889	1000RPM	>20 million	Plastics	4m Ω

Lead Wires Color Code

Ring	1	2	3	4
Color	BLK	RED	YEL	GRN

Options for custom slip ring

- BBS0889 is the high-end version corresponding to BBS088.
- Optional flange mounting.
- Specified connectors and Heat-shrink tube.
- Longer lead lengths available.
- High temperature is optional.
- Military Grade.

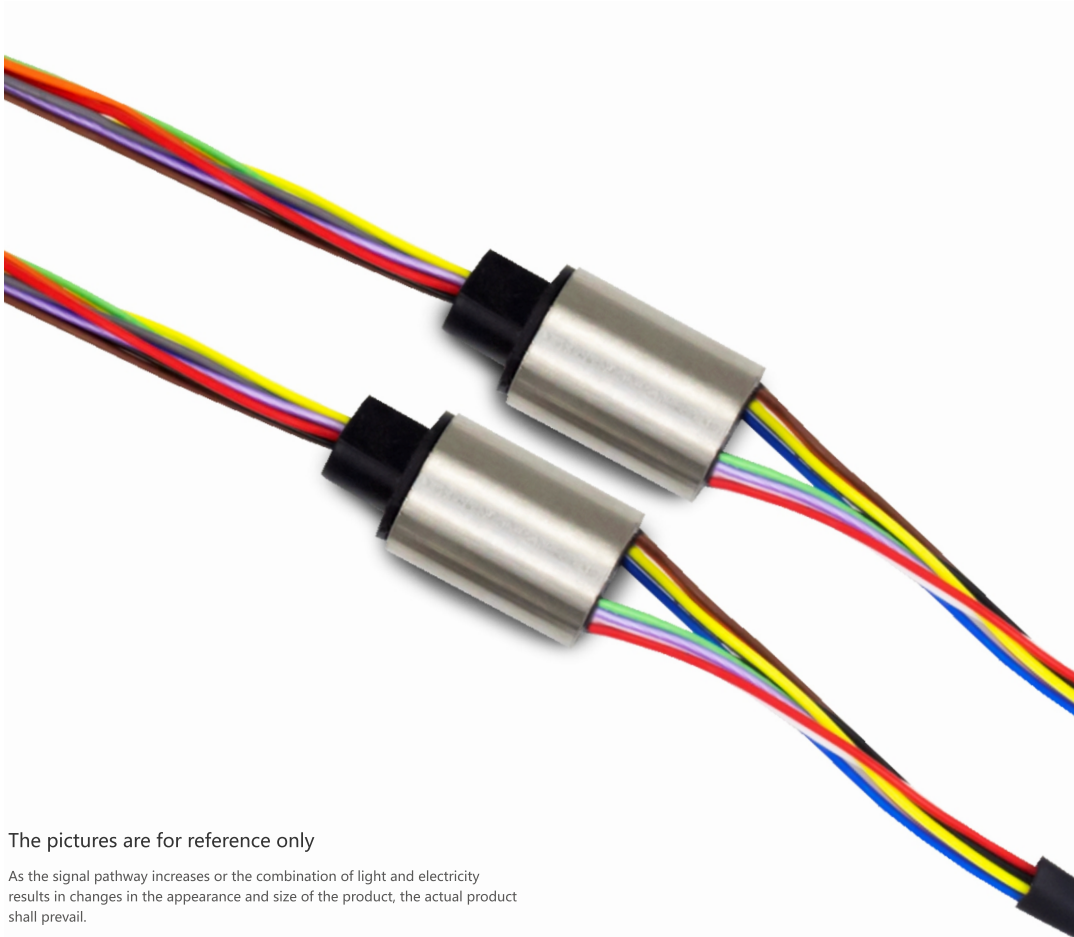
BBS118 MINIATURE CAPSULE SLIP RINGS

OD 6mm 1~8 Circuits

BBS118 slip rings are small and compact with OD 6mm * L 11.9mm, standard, off-the-shelf. Color-coded lead wires are used on both the stator and rotor for simplified electrical connections. Using a 90° V-groove ring design for each ring.

BBS1189 is the high-end version corresponding to BBS118, It has higher performance and longer working life, higher speed rotating speed, low noise.

Product images



The pictures are for reference only

As the signal pathway increases or the combination of light and electricity results in changes in the appearance and size of the product, the actual product shall prevail.

Part# Explanation

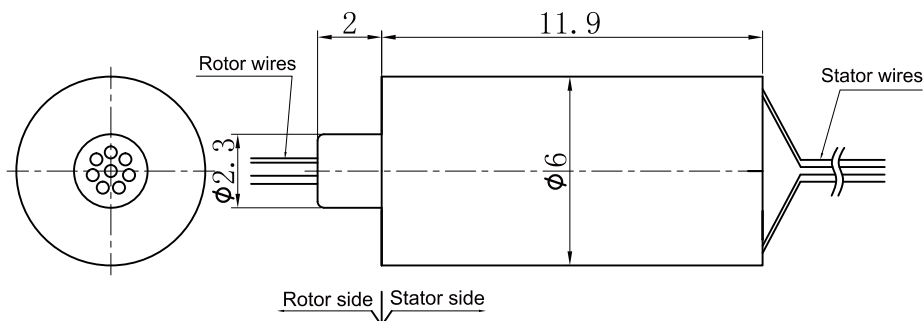
BBS 118(9)

BBS:miniature capsule slip ring

118:common quality version

1189:high-end quality version

Dimensions



Electrical Data

Parameter	Power Value	Signal Value
Rated Voltage	0~120VAC/VDC	0~120VAC/VDC
Insulation Resistance	$\geq 100M\Omega/150VDC$	$\geq 100M\Omega/150VDC$
Lead Wires	AWG#32 teflon	AWG#32 teflon
Lead Length	Standard 300mm(adjustable)	
Electrical Noise	$<0.01\Omega$	

Mechanical Data

Parameter	Value
Working Life	See Product Quality Level Table
Rotating Speed	See Product Quality Level Table
Working Temperature	-30°C~80°C
Operating Humidity	0~85% RH
Contact Material	See Product Quality Level Table
Housing Material	See Product Quality Level Table
Torque	0.005N.m; +0.02N.m/6rings
Protection Grade	IP51

BBS118 Series Parts# List

Part#	Signal/1A	Total Wires
BBS118-S02	2	2
BBS118-S04	4	4
BBS118-S06	6	6
BBS118-S08	8	8

Note: N channels 1A rings parallel can be used as 1 channel $N \times 1A$ current. For example: 2 rings 1A parallel could be used as 1 wires 2A ,please contact sales for special requirements

Product Quality Level Table

Part#	Max Speed	Working Life	Housing Material	Electrical Noise①@10RPM
BBS118	250RPM	>10 million	Plastics	10mΩ
BBS1189	1000RPM	>20 million	Plastics	4mΩ

Lead Wires Color Code

Ring	1	2	3	4	5	6	7	8
Color	BLK	RED	YEL	GRN	BLU	WHT	ORG	PUR

Options for custom slip ring

- BBS01189 is the high-end version corresponding to BBS088.
- Optional flange mounting.
- Specified connectors and Heat-shrink tube.
- Longer lead lengths available.
- High temperature is optional.
- Military Grade.

BBS119 MINIATURE CAPSULE SLIP RINGS

OD 6.5mm 2~8 Circuits

BBS119 slip rings are small and compact with OD 6.5mm * L 11.9mm, standard, off-the-shelf. Color-coded lead wires are used on both the stator and rotor for simplified electrical connections. Using a 90° V-groove ring design for each ring. BBS1199 is the high-end version corresponding to BBS119, It has higher performance and longer working life, higher speed rotating speed, low noise.

Product images



The pictures are for reference only

As the signal pathway increases or the combination of light and electricity results in changes in the appearance and size of the product, the actual product shall prevail.

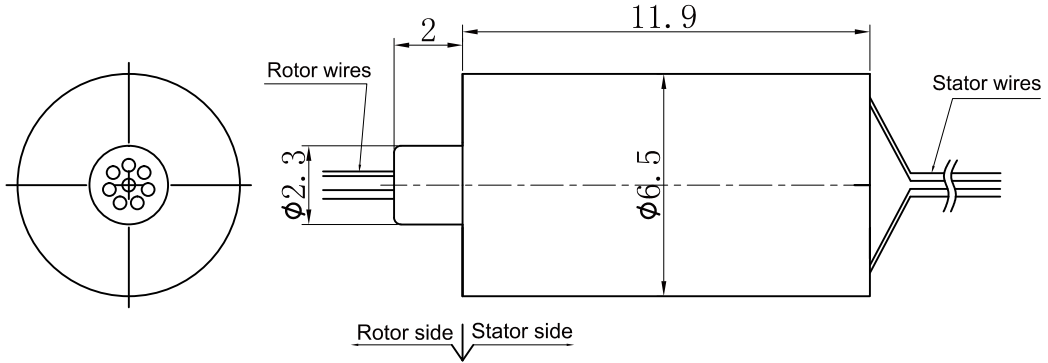
Part# Explanation

BBS 118(9)

BBS:miniature capsule slip ring

119:common quality version
1199:high-end quality version

Dimensions



Electrical Data

Parameter	Power Value	Signal Value
Rated Voltage	0~120VAC/VDC	0~120VAC/VDC
Insulation Resistance	$\geq 100M\Omega/150VDC$	$\geq 100M\Omega/150VDC$
Lead Wires	AWG#32 teflon	AWG#32 teflon
Lead Length	Standard 300mm(adjustable)	
Electrical Noise	<0.01 Ω	

Mechanical Data

Parameter	Value
Working Life	See Product Quality Level Table
Rotating Speed	See Product Quality Level Table
Working Temperature	-30°C~80°C
Operating Humidity	0~85% RH
Contact Material	See Product Quality Level Table
Housing Material	See Product Quality Level Table
Torque	0.005N.m; +0.02N.m/6rings
Protection Grade	IP51

BBS119 Series Parts# List

Part#	Signal/1A	Total Wires
BBS119-S02	4	4
BBS119-S04	6	6
BBS119-S06	8	8

Note:N channels 1A rings parallel can be used as 1 channel $N \times 1A$ current. For example: 2 rings 1A parallel could be used as 1 wires 2A ,please contact sales for special requirements

Product Quality Level Table

Part#	Max Speed	Working Life	Housing Material	Electrical Noise①@10RPM
BBS119	250RPM	>10 million	Plastics	10mΩ
BBS1199	1000RPM	>20 million	Plastics	4mΩ

Lead Wires Color Code

Ring	1	2	3	4	5	6	7	8
Color	BLK	RED	Ylk	GRN	BLU	WHT	ORG	PUR

Options for custom slip ring

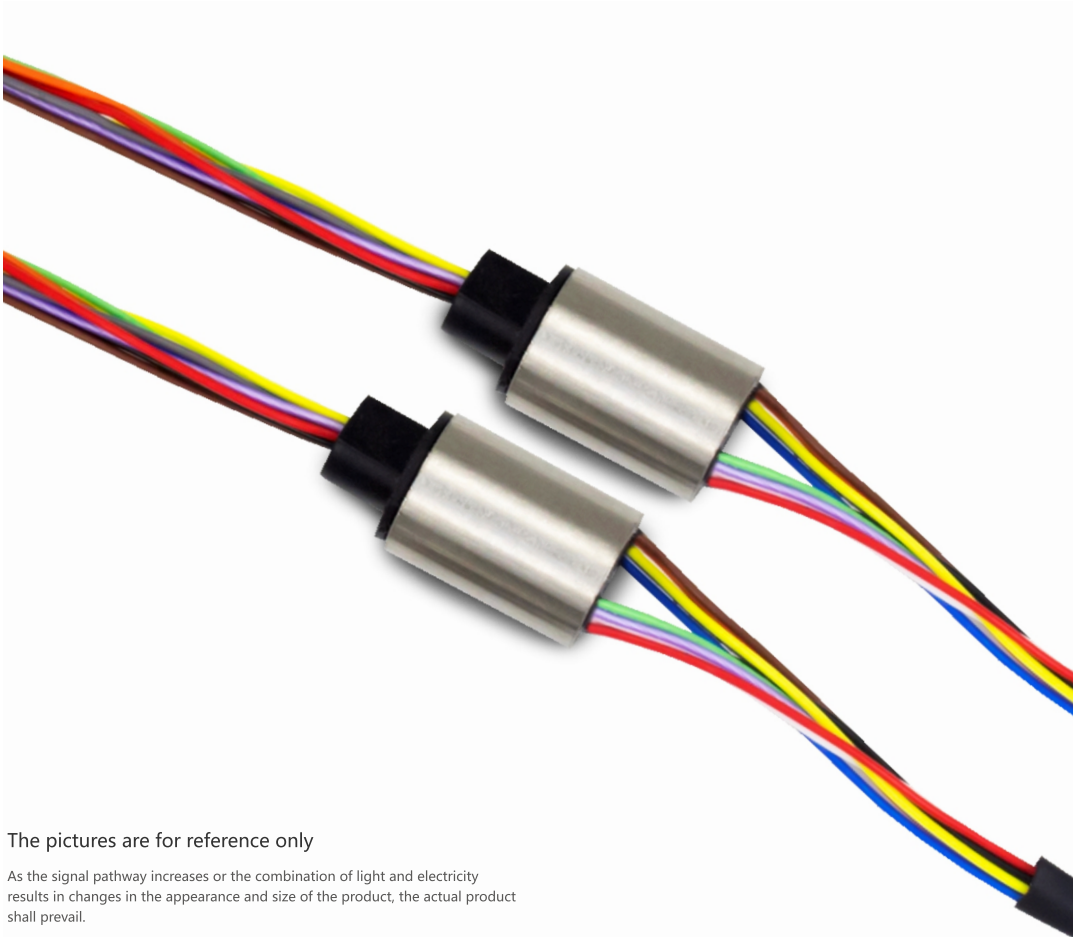
- BBS01199 is the high-end version corresponding to BBS119.
- Optional flange mounting.
- Specified connectors and Heat-shrink tube.
- Longer lead lengths available.
- High temperature is optional.
- Military Grade.

BBS172 MINIATURE CAPSULE SLIP RINGS

OD 6.5mm 2~12 Circuits

BBS172 slip rings are small and compact with OD 6.5mm * L 17.2mm, standard, off-the-shelf. Color-coded lead wires are used on both the stator and rotor for simplified electrical connections. Using a 90° V-groove ring design for each ring. BBS1729 is the high-end version corresponding to BBS172, It has higher performance and longer working life, higher speed rotating speed, low noise.

Product images



The pictures are for reference only

As the signal pathway increases or the combination of light and electricity results in changes in the appearance and size of the product, the actual product shall prevail.

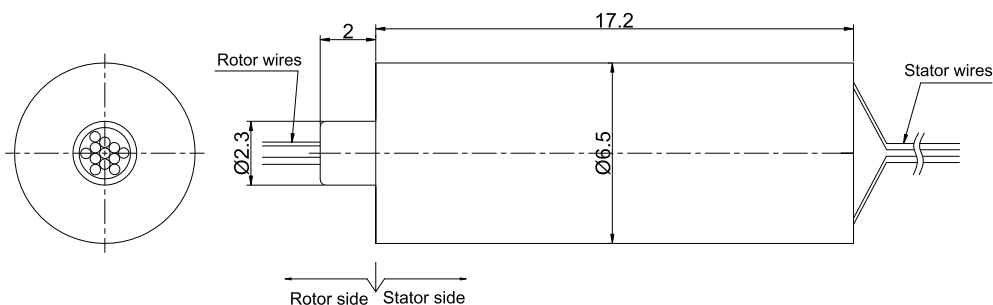
Part# Explanation

BBS 118(9)

BBS:miniature capsule slip ring

172:common quality version
1729:high-end quality version

Dimensions



Electrical Data

Parameter	Power Value	Signal Value
Rated Voltage	0~120VAC/VDC	0~120VAC/VDC
Insulation Resistance	$\geq 100\text{M}\Omega/150\text{VDC}$	$\geq 100\text{M}\Omega/150\text{VDC}$
Lead Wires	AWG#32 teflon	AWG#32 teflon
Lead Length	Standard 300mm(adjustable)	
Electrical Noise	<0.01 Ω	

Mechanical Data

Parameter	Value
Working Life	See Product Quality Level Table
Rotating Speed	See Product Quality Level Table
Working Temperature	-30°C~80°C
Operating Humidity	0~85% RH
Contact Material	See Product Quality Level Table
Housing Material	See Product Quality Level Table
Torque	0.005N.m; +0.02N.m/6rings
Protection Grade	IP51

BBS172 Series Parts# List

Part#	Signal/1A	Total Wires
BBS172-S10	10	10
BBS172-S12	12	12

Note: N channels 1A rings parallel can be used as 1 channel $N \times 1\text{A}$ current. For example: 2 rings 1A parallel could be used as 1 wires 2A ,please contact sales for special requirements

Product Quality Level Table

Part#	Max Speed	Working Life	Housing Material	Electrical Noise①@10RPM
BBS172	250RPM	> 10 million	Plastics	10mΩ
BBS1729	1000RPM	>20 million	Plastics	4mΩ

Lead Wires Color Code

Ring	1	2	3	4	5	6	7	8	9	10	11	12
Color	BLK	RED	YLK	GRN	BLU	WHT	BN	OG	PL	GY	BU	PK

Options for custom slip ring

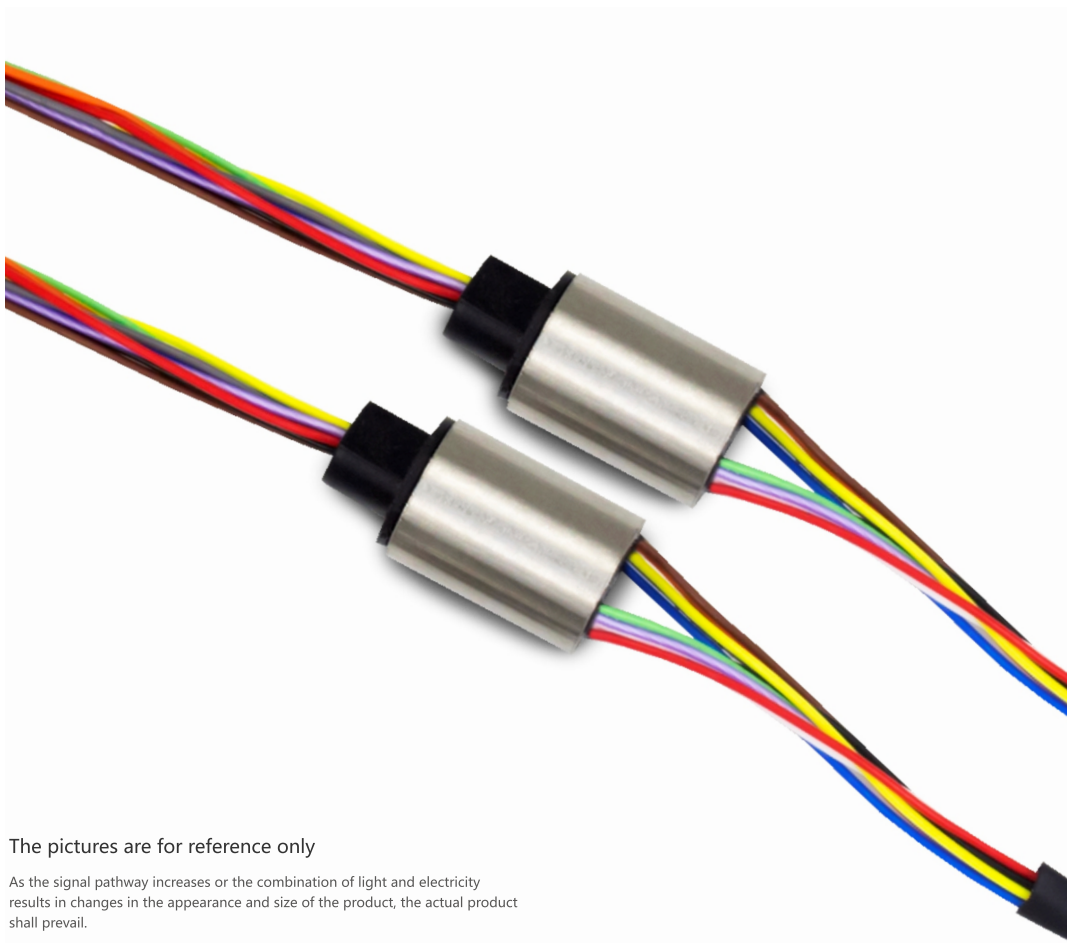
- BBS1729 is the high-end version corresponding to BBS172.
- Optional flange mounting.
- Specified connectors and Heat-shrink tube.
- Longer lead lengths available.
- High temperature is optional.
- Military Grade.

BBS146 MINIATURE CAPSULE SLIP RINGS

OD 10mm 2~10 Circuits

BBS146 slip rings are small and compact with OD 10mm * L 19.6mm, standard, off-the-shelf. Color-coded lead wires are used on both the stator and rotor for simplified electrical connections. Using a 90° V-groove ring design for each ring. BBS1469 is the high-end version corresponding to BBS146, It has higher performance and longer working life, higher speed rotating speed, low noise.

Product images



The pictures are for reference only

As the signal pathway increases or the combination of light and electricity results in changes in the appearance and size of the product, the actual product shall prevail.

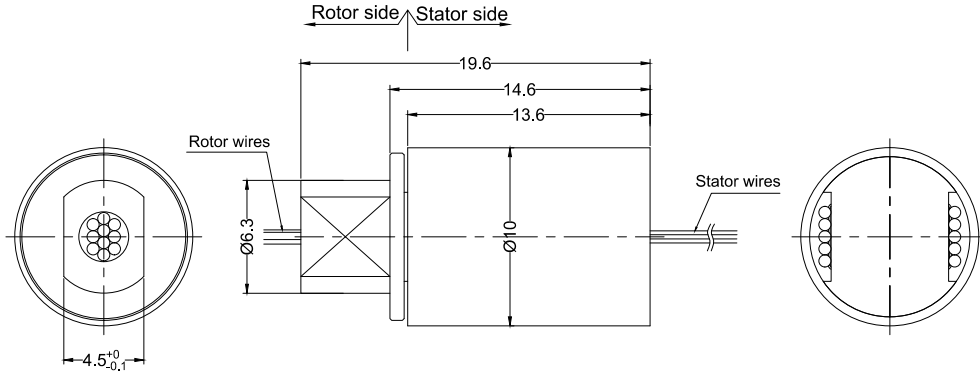
Part# Explanation

BBS 146(9)

BBS:miniature capsule slip ring

164:common quality version
1649:high-end quality version

Dimensions



Electrical Data

Parameter	Power Value	Signal Value
Rated Voltage	0~120VAC/VDC	0~120VAC/VDC
Insulation Resistance	≥100MΩ/150VDC	≥100MΩ/150VDC
Lead Wires	AWG#28 teflon	AWG#28 teflon
Lead Length	Standard 300mm(adjustable)	
Electrical Noise	<0.01Ω	

Mechanical Data

Parameter	Value
Working Life	See Product Quality Level Table
Rotating Speed	See Product Quality Level Table
Working Temperature	-30°C~80°C
Operating Humidity	0~85% RH
Contact Material	See Product Quality Level Table
Housing Material	See Product Quality Level Table
Torque	0.005N.m; +0.02N.m/6rings
Protection Grade	IP51

BBS146 Series Parts# List

Part#	Signal/2A	Total Wires
BBS146	10	10

Note:N channels 1A rings parallel can be used as 1 channel N × 1A current. For example: 2 rings 1A parallel could be used as 1 wires 2A ,please contact sales for special requirements

Product Quality Level Table

Part#	Max Speed	Working Life	Housing Material	Electrical Noise①@10RPM
BBS146	250RPM	> 10 million	Plastics	10mΩ
BBS1469	1000RPM	> 20 million	Plastics	4mΩ

Lead Wires Color Code

Ring	1	2	3	4	5	6	7	8	9	10
Color	RED	GN	YL	PL	GY	BK	BU	BN	OG	WT

Options for custom slip ring

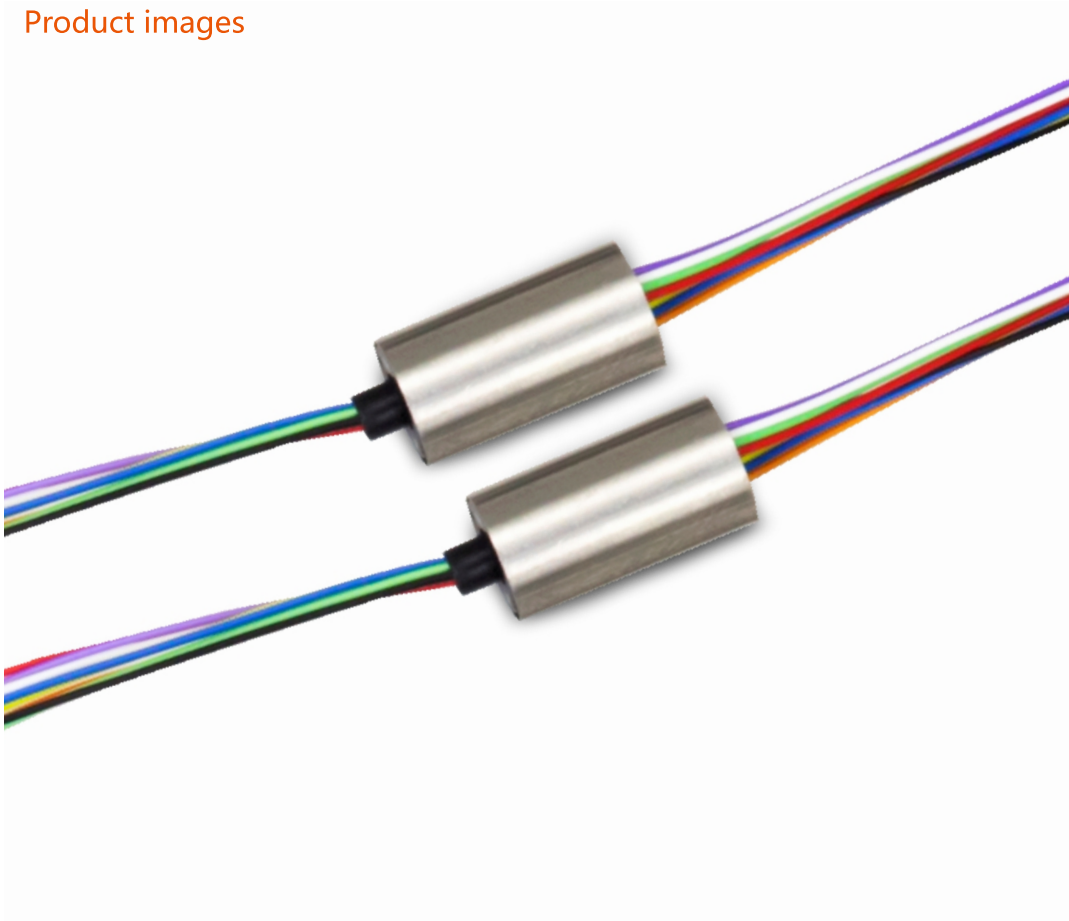
- BBS1649 is the high-end version corresponding to BBS146.
- Optional flange mounting.
- Specified connectors and Heat-shrink tube.
- Longer lead lengths available.
- High temperature is optional.
- Military Grade.

BBS181 MINIATURE CAPSULE SLIP RINGS

OD 6.5mm 2~8 Circuits

BBS181 slip rings are small and compact with OD 11.6mm * L 18.2mm, standard, off-the-shelf. Color-coded lead wires are used on both the stator and rotor for simplified electrical connections. Using a 90° V-groove ring design for each ring. BBS181 is the high-end version corresponding to BBS181, It has higher performance and longer working life, higher speed rotating speed, low noise.

Product images



The pictures are for reference only

As the signal pathway increases or the combination of light and electricity results in changes in the appearance and size of the product, the actual product shall prevail.

Part# Explanation

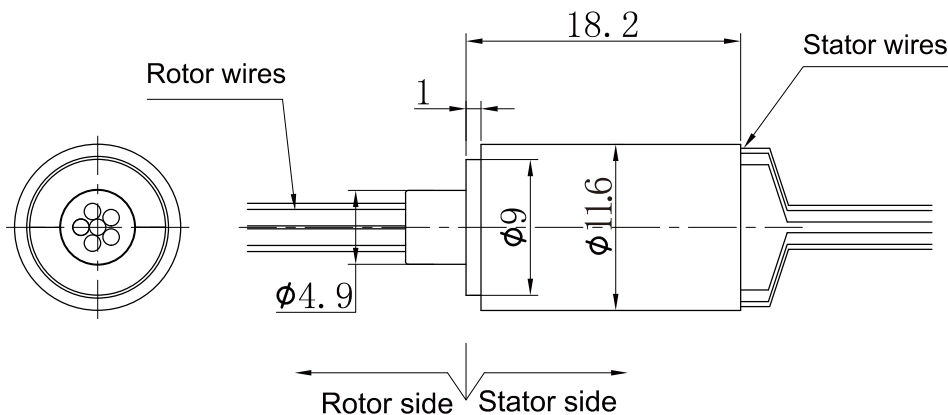
BBS 181(9) - FL01

BBS:miniature capsule slip ring

181:common quality version
1819:high-end quality version

FL01: flange type

Dimensions



Electrical Data

Parameter	Power Value	Signal Value
Rated Voltage	0~220VAC/VDC	0~120VAC/VDC
Insulation Resistance	$\geq 100\text{M}\Omega/500\text{VDC}$	$\geq 100\text{M}\Omega/500\text{VDC}$
Lead Wires	AWG#24 teflon	AWG#28 teflon
Lead Length	Standard 300mm(adjustable)	
Electrical Noise	<0.01 Ω	

Mechanical Data

Parameter	Value
Working Life	See Product Quality Level Table
Rotating Speed	See Product Quality Level Table
Working Temperature	-30°C~80°C
Operating Humidity	0~85% RH
Contact Material	See Product Quality Level Table
Housing Material	See Product Quality Level Table
Torque	0.005N.m; +0.02N.m/6rings
Protection Grade	IP51

BBS181 Series Parts# List

Part#	Signal/4A	Total Wires
BBS181	6	6

Note: N channels 2A rings parallel can be used as 1 channel N \times 2A current. For example: 2 rings 2A parallel could be used as 1 wires 4A please contact sales for special requirements

Product Quality Level Table

Part#	Max Speed	Working Life	Housing Material	Electrical Noise①@10RPM
BBS181	250RPM	> 10 million	Plastics	10mΩ
BBS1819	1000RPM	>20 million	Plastics	4mΩ

Lead Wires Color Code

Ring	1	2	3	4	5	6
Color	BLK	RED	YEL	GRN	BLU	WHT

Options for custom slip ring

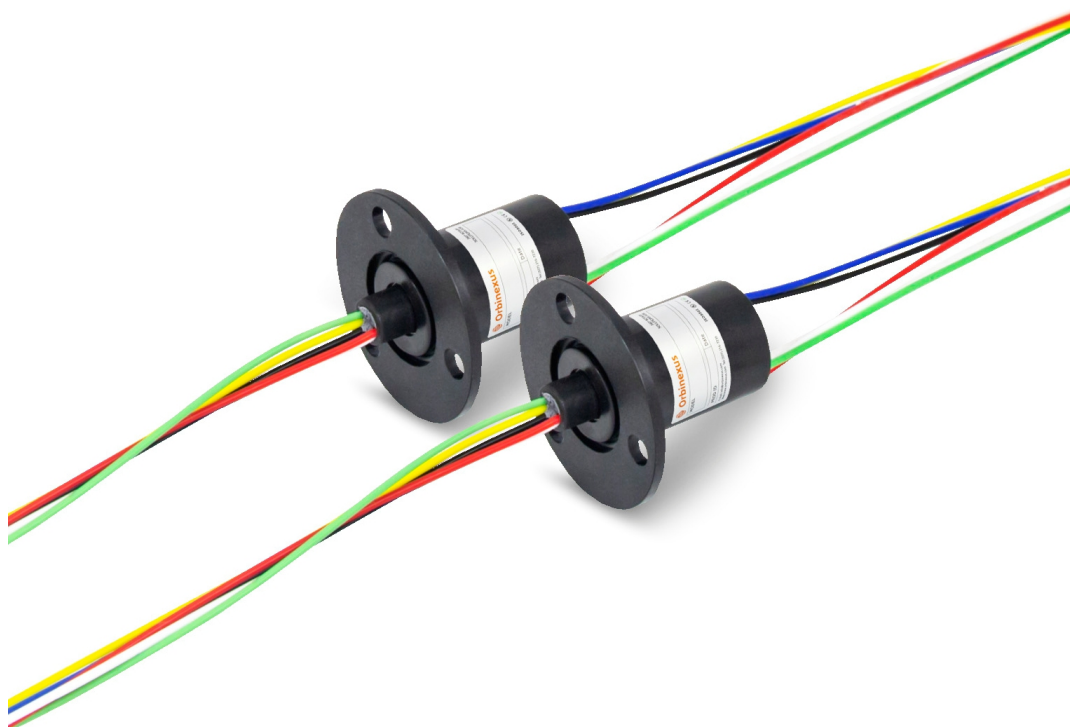
- BBS1819 is the high-end version corresponding to BBS181.
- Optional flange mounting.
- Specified connectors and Heat-shrink tube.
- Longer lead lengths available.
- High temperature is optional.
- Military Grade.

BBS182 MINIATURE CAPSULE SLIP RINGS

OD 12.5

BBS182 slip rings are small and compact with OD 12.5mm * L 18.2mm, standard, off-the-shelf. Color-coded lead wires are used on both the stator and rotor for simplified electrical connections. Using a 90° V-groove ring design for each ring. BBS1829 is the high-end version corresponding to BBS182, It has higher performance and longer working life, higher speed rotating speed, low noise.

Product images



The pictures are for reference only

As the signal pathway increases or the combination of light and electricity results in changes in the appearance and size of the product, the actual product shall prevail.

Part# Explanation

BBS 182(9) - FL01

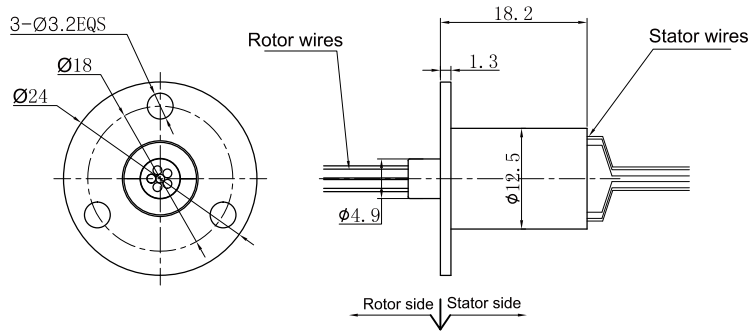
BBS:miniature capsule slip ring

182:common quality version
1829:high-end quality version

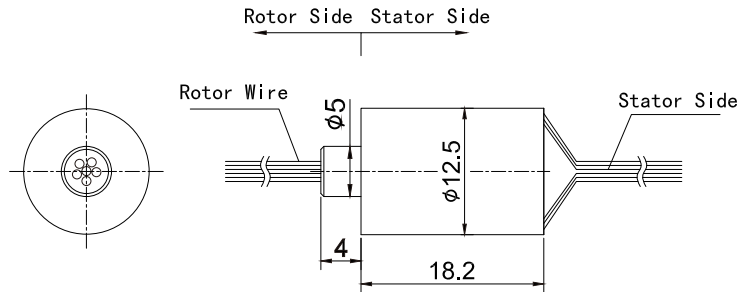
FL01: flange type

Dimensions

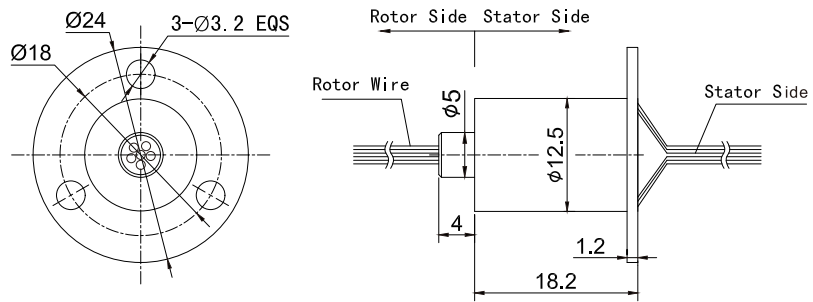
BBS182 Standard Model



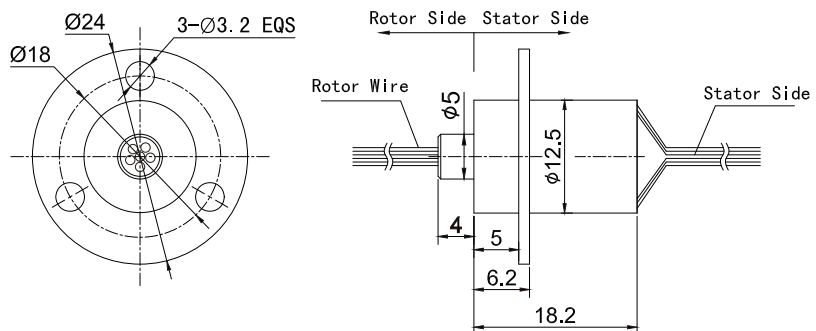
BBS182 - FL00

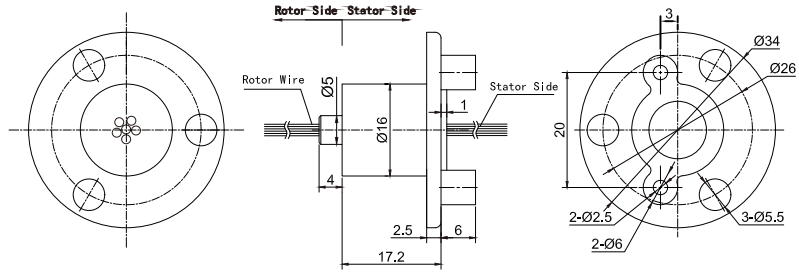


BBS182 - FI01

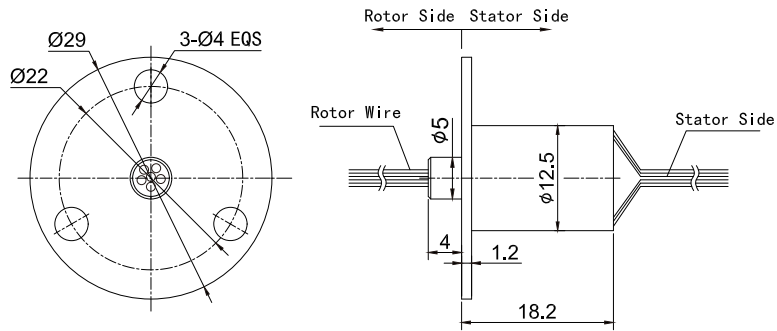


BBS182 - FI02

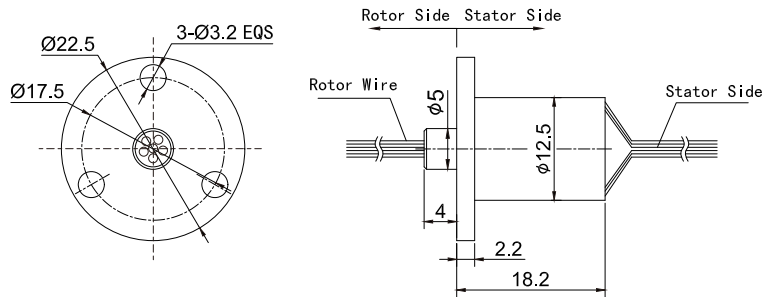




BBS182 - FI04



BBS182 - FI05



Electrical Data

Parameter	Power Value	Signal Value
Rated Voltage	0~240VAC/VDC	0~240VAC/VDC
Insulation Resistance	≥100MΩ/500VDC	≥100MΩ/500VDC
Lead Wires	AWG#28 teflon	AWG#28 teflon
Lead Length	Standard 300mm(adjustable)	
Electrical Noise	<0.01Ω	

Mechanical Data

Parameter	Value
Working Life	See Product Quality Level Table
Rotating Speed	See Product Quality Level Table
Working Temperature	-30°C~80°C
Operating Humidity	0~85% RH
Contact Material	See Product Quality Level Table
Housing Material	See Product Quality Level Table
Torque	0.005N.m; +0.02N.m/6rings
Protection Grade	IP51

Product Quality Level Table

Part#	Max Speed	Working Life	Housing Material	Electrical Noise①@10RPM
BBS182	250RPM	> 10 million	Plastics	10mΩ
BBS1829	1000RPM	> 30 million	Plastics	4mΩ

Lead Wires Color Code

Ring	1	2	3	4	5	6
Color	BLK	RED	YEL	GRN	BLU	WHT

Options for custom slip ring

- BBS1829 is the high-end version corresponding to BBS182.
- Optional flange mounting.
- Specified connectors and Heat-shrink tube.
- Longer lead lengths available.
- High temperature is optional.
- Military Grade.

BBS195 MINIATURE CAPSULE SLIP RINGS

OD 12.5mm

BBS195 slip rings are small and compact with OD 12.5mm * L 19.5mm, standard, off-the-shelf. Color-coded lead wires are used on both the stator and rotor for simplified electrical connections. Using a 90° V-groove ring design for each ring. BBS1959 is the high-end version corresponding to BBS195, It has higher performance and longer working life, higher speed rotating speed, low noise.

Product images



The pictures are for reference only

As the signal pathway increases or the combination of light and electricity results in changes in the appearance and size of the product, the actual product shall prevail.

Part# Explanation

BBS 195(9) - FL01

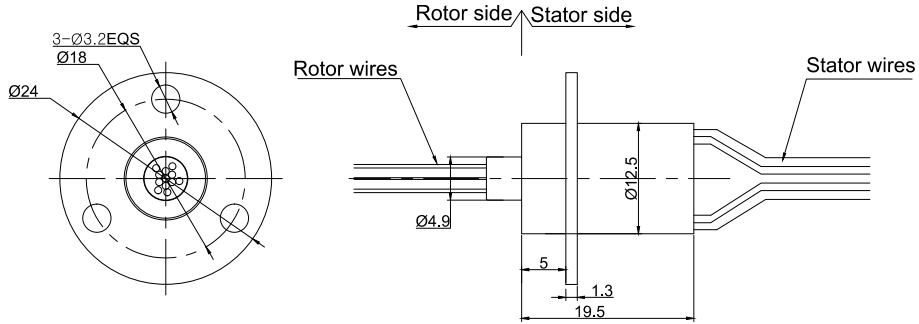
BBS:miniature capsule slip ring

195:common quality version
1959:high-end quality version

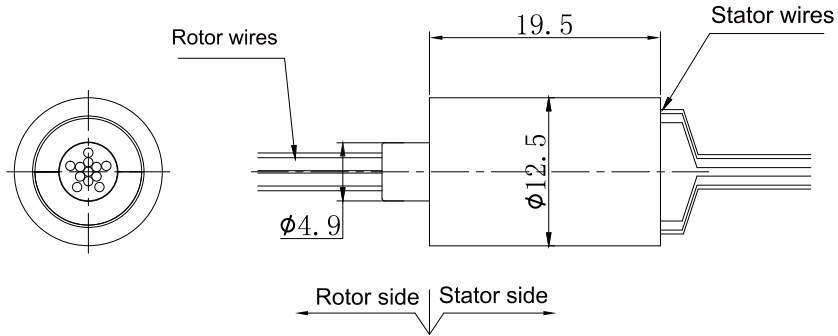
FL01: flange type

Dimensions

BBS195 Standard Model



BBS195 Without Flange Model



Electrical Data

Parameter	Power Value	Signal Value
Rated Voltage	0~240VAC/VDC	0~240VAC/VDC
Insulation Resistance	≥100MΩ/500VDC	≥100MΩ/500VDC
Lead Wires	AWG#28 teflon	AWG#28 teflon
Lead Length	Standard 300mm(adjustable)	
Electrical Noise	<0.01Ω	

Mechanical Data

Parameter	Value
Working Life	See Product Quality Level Table
Rotating Speed	See Product Quality Level Table
Working Temperature	-30°C~80°C
Operating Humidity	0~85% RH
Contact Material	See Product Quality Level Table
Housing Material	See Product Quality Level Table
Torque	0.005N.m; +0.02N.m/6rings
Protection Grade	IP51

BBS195 Series Parts# List

Part#	Signal/1A	Total Wires
BBS195	12	12

Note: N channels 1A rings parallel can be used as 1 channel $N \times 1A$ current. For Example: 2 rings 1A parallel could be used as 1 wires 2A ,please contact sales for special requirements

Product Quality Level Table

Part#	Max Speed	Working Life	Housing Material	Electrical Noise①@10RPM
BBS195	250RPM	> 10 million	Plastics	10mΩ
BBS1959	1000RPM	>30 million	Plastics	4mΩ

Lead Wires Color Code

Ring	1	2	3	4	5	6	7	8	9	10	11	12
Color	BLK	RED	YEL	GRN	BLU	WHT	BLK	RED	YEL	GRN	BLU	WHT

Options for custom slip ring

- BBS1959 is the high-end version corresponding to BBS195.
- Optional flange mounting.
- Specified connectors and Heat-shrink tube.
- Longer lead lengths available.
- High temperature is optional.
- Military Grade.

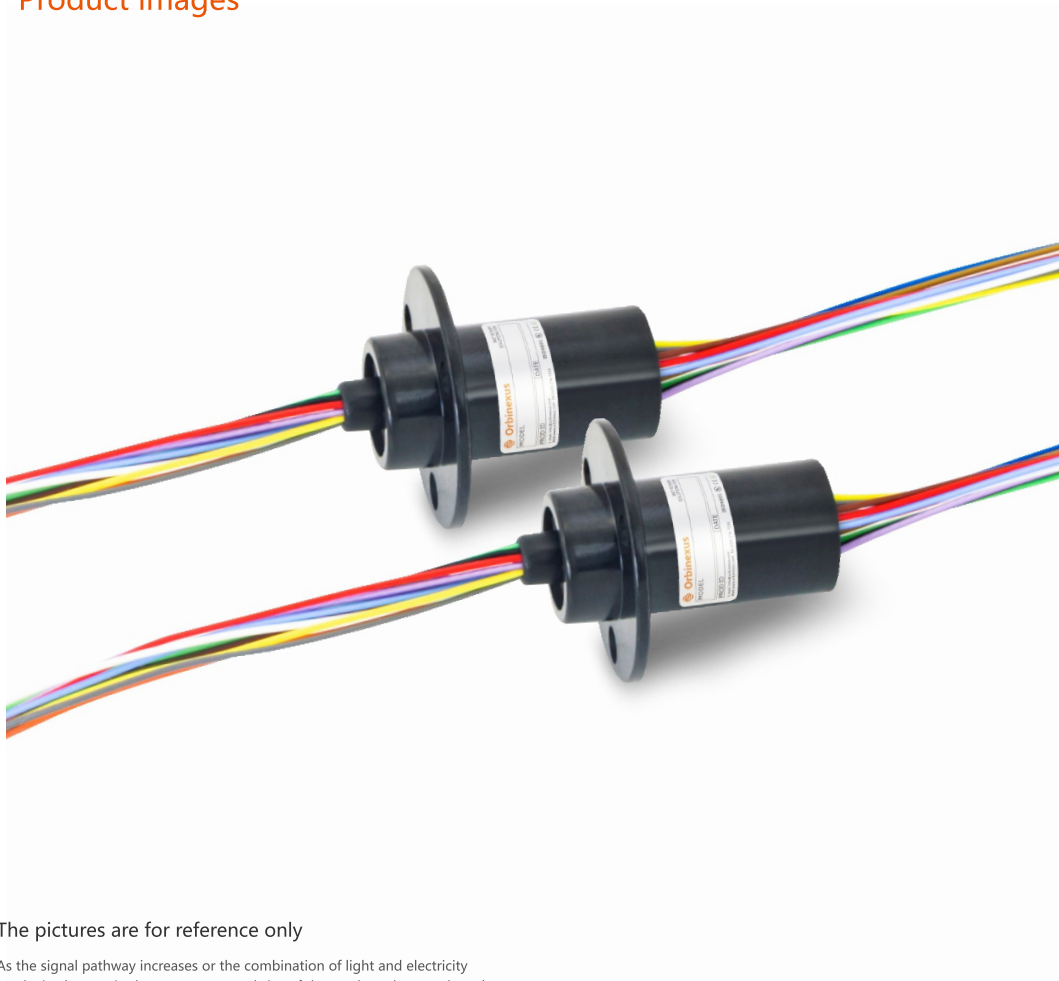
BBS235 MINIATURE CAPSULE SLIP RINGS

OD 12.5mm

BBS235 slip rings are small and compact with OD 12.5mm * L 23.5mm, standard, off-the-shelf. Color-coded lead wires are used on both the stator and rotor for simplified electrical connections. Using a 90° V-groove ring design for each ring.

BBS2359 is the high-end version corresponding to BBS235, It has higher performance and longer working life, higher speed rotating speed, low noise.

Product images



The pictures are for reference only

As the signal pathway increases or the combination of light and electricity results in changes in the appearance and size of the product, the actual product shall prevail.

Part# Explanation

BBS 235(9) - FL01

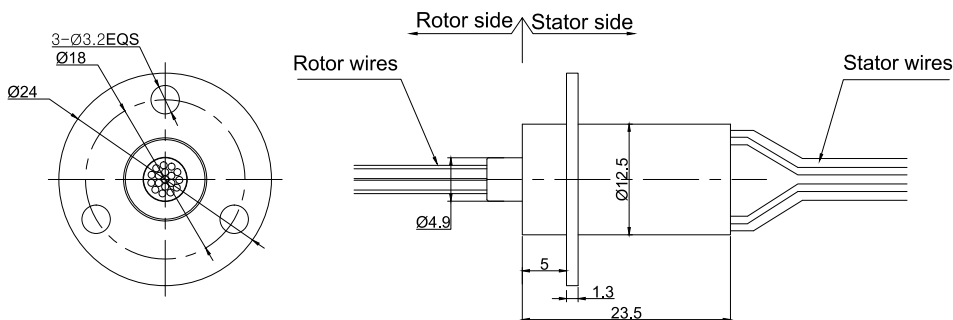
BBS:miniature capsule slip ring

235:common quality version
2359:high-end quality version

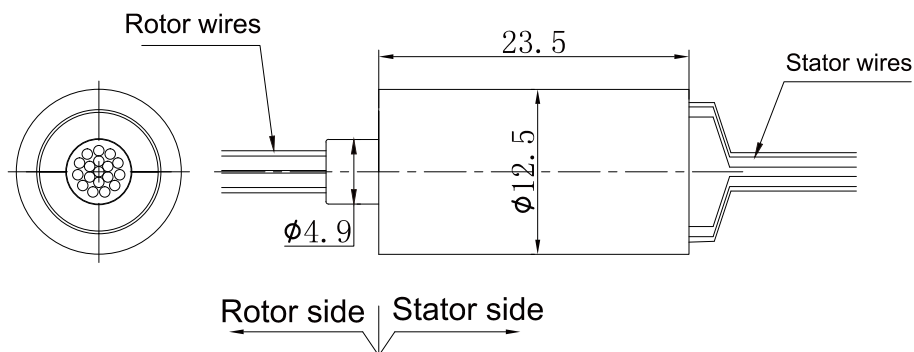
FL01: flange type

Dimensions

BBS235 Standard Model



BBS235 Without Flange Model



Electrical Data

Parameter	Power Value	Signal Value
Rated Voltage	0~240VAC/VDC	0~240VAC/VDC
Insulation Resistance	≥100MΩ/500VDC	≥100MΩ/500VDC
Lead Wires	AWG#28 teflon	AWG#28 teflon
Lead Length	Standard 300mm(adjustable)	
Electrical Noise	<0.01Ω	

Mechanical Data

Parameter	Value
Working Life	See Product Quality Level Table
Rotating Speed	See Product Quality Level Table
Working Temperature	-30°C~80°C
Operating Humidity	0~85% RH
Contact Material	See Product Quality Level Table
Housing Material	See Product Quality Level Table
Torque	0.005N.m; +0.02N.m/6rings
Protection Grade	IP51

BBS235 Series Parts# List

Part#	Signal/2A	Total Wires
BBS235	18	18

Note: N channels 1A rings parallel can be used as 1 channel $N \times 1A$ current. For Example: 2 rings 1A parallel could be used as 1 wires 2A ,please contact sales for special requirements

Product Quality Level Table

Part#	Max Speed	Working Life	Housing Material	Electrical Noise①@10RPM
BBS235	250RPM	> 10 million	Plastics	10mΩ
BBS2359	1000RPM	>20 million	Plastics	4mΩ

Lead Wires Color Code

Ring	1	2	3	4	5	6	7	8	9	10	11	12
Color	BLK	RED	YEL	GRN	BLU	WHT	BLK	RED	YEL	GRN	BLU	WHT

Ring	13	14	15	16	17	18
Color	WHT RED	WHT BLK	WHT BLU	WHT PURPLE	WHT BRN	WHT GRN

Options for custom slip ring

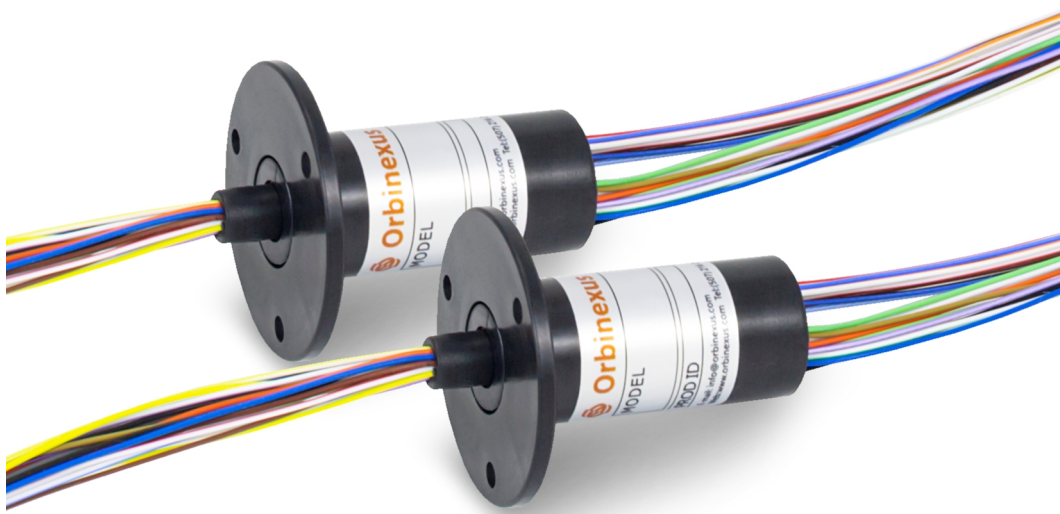
- BBS2359 is the high-end version corresponding to BBS235.
- Optional flange mounting.
- Specified connectors and Heat-shrink tube.
- Longer lead lengths available.
- High temperature is optional.
- Military Grade.

BBS397 MINIATURE CAPSULE SLIP RINGS

OD 15.5mm

BBS397 slip rings are small and compact with OD 15.5mm * L 34.1mm, standard, off-the-shelf. Color-coded lead wires are used on both the stator and rotor for simplified electrical connections. Using a 90° V-groove ring design for each ring. BBS3979 is the high-end version corresponding to BBS397, It has higher performance and longer working life, higher speed rotating speed, low noise.

Product images



The pictures are for reference only

As the signal pathway increases or the combination of light and electricity results in changes in the appearance and size of the product, the actual product shall prevail.

Part# Explanation

BBS 397(9) - FL01

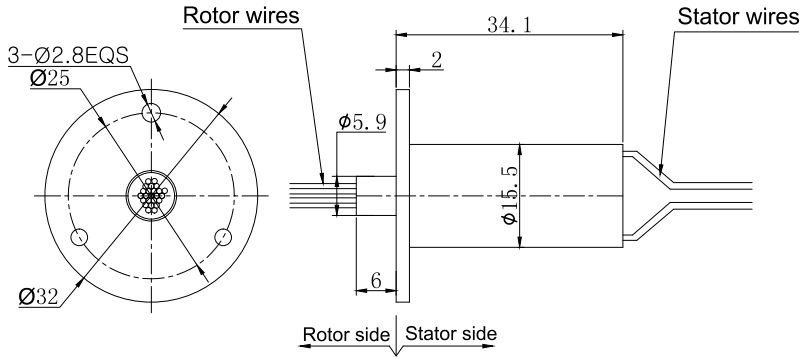
BBS:miniature capsule slip ring

397:common quality version
3979:high-end quality version

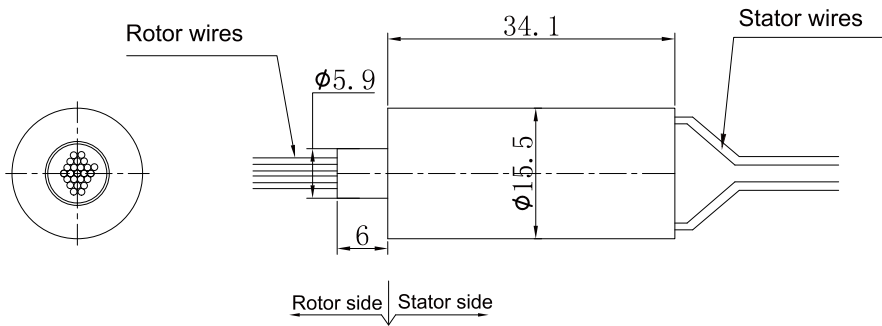
FL01: flange type

Dimensions

BBS397 Standard Model



BBS3979 Without Flange Model



Electrical Data

Parameter	Power Value	Signal Value
Rated Voltage	0~240VAC/VDC	0~240VAC/VDC
Insulation Resistance	≥100MΩ/500VDC	≥100MΩ/500VDC
Lead Wires	AWG#30 teflon	AWG#28 teflon
Lead Length	Standard 300mm(adjustable)	
Electrical Noise	<0.01Ω	

Mechanical Data

Parameter	Value
Working Life	See Product Quality Level Table
Rotating Speed	See Product Quality Level Table
Working Temperature	-30°C~80°C
Operating Humidity	0~85% RH
Contact Material	See Product Quality Level Table
Housing Material	See Product Quality Level Table
Torque	0.005N.m; +0.02N.m/6rings
Protection Grade	IP51

BBS397 Series Parts# List

Part#	Signal/2A	Total Wires
BBS397	24	24

Note: N channels 1A rings parallel can be used as 1 channel N × 1A current. For Example: 2 rings 1A parallel could be used as 1 wires 2A ,please contact sales for special requirements

Product Quality Level Table

Part#	Max Speed	Working Life	Housing Material	Electrical Noise①@10RPM
BBS397	250RPM	> 10 million	Plastics	10mΩ
BBS3979	1000RPM	>20 million	Plastics	4mΩ

Lead Wires Color Code

Ring	1	2	3	4	5	6	7	8	9	10	11	12	13	14	15
Color	BLK	RED	YEL	GRN	BLU	WHT	BLK	RED	YEL	GRN	BLU	WHT	WHT RED	WHT BLK	WHT BLU

Ring	16	17	18	19	20	21	22	23	24
Color	WHT PURPLE	WHT BRN	WHT GRN	WHT ORN	WHT YEL	WHT GRA	BLK RED	BLK BLU	YEL GRN

Options for custom slip ring

- BBS3979 is the high-end version corresponding to BBS397.
- Optional flange mounting.
- Specified connectors and Heat-shrink tube.
- Longer lead lengths available.
- High temperature is optional.
- Military Grade.